



Drawing	: - TPC 392
Issue	: - 5
Date	: - 28/04/14

DD1200
10540GR-US – 220V / 3PH / 60HZ

INDUSTRIAL DEHUMIDIFIER

OWNER'S MANUAL

www.eipl.co.uk



Drawing	: - TPC 392
Issue	: - 5
Date	: - 28/04/14

DD1200

PACKAGE CONTENTS

Item	Description	Quantity
10540GR-US	Dehumidifier	1
TPC392	Manual	1

UNPACKING

Carefully remove the DD1200 dehumidifier unit from its transit box and visually check for signs of transit damage. If there is evidence of damage DO NOT attempt to operate the unit, call your supplier for advice. Do not discard the packing, it will be useful when transporting the dehumidifier unit in the future.

INTRODUCTION

Dehumidifiers remove moisture from the air that is circulating through the unit. The resulting reduction of relative humidity helps prevent rust, rot, mould, mildew and condensation within the room, or other enclosed spaces where the dehumidifier is used.

The DD1200 is of the desiccant wheel type designed to dry air by passing a large volume of air, the “process” air through a slowly rotating Silica gel rotor. Silica gel is a hygroscopic material that absorbs moisture direct from the air. As the air passes through the rotor the humidity of the air is reduced, whilst the moisture content of the rotor is increased. A smaller volume of air, the reactivation air, is heated by an internal heater and passes through a portion of the rotor in the opposite direction. As this heated air passes through the rotor it will “reactivate” it by removing the moisture content from the silica gel material. The reactivation air will leave the humidifier as warm, moist air and must be vented to outside of the building.

Continuous circulation of the room air through the dehumidifier unit gradually reduces the relative humidity in the room.

The DD1200 dehumidifier is a robust, compact unit designed to control the humidity in the enclosed space in which it is placed. The casing is fabricated from Steel then painted and has been designed for the exacting conditions which can prevail in offices, shops, houses, restaurants, public houses etc. It combines compactness with high reliability and strength

The unit is thermally protected and will automatically switch off in excessive or abnormal conditions.

The dehumidifier has two separate filters. One in the “process” air inlet and one in the “reactivation” air inlet, used to clean the air entering the dehumidifier.



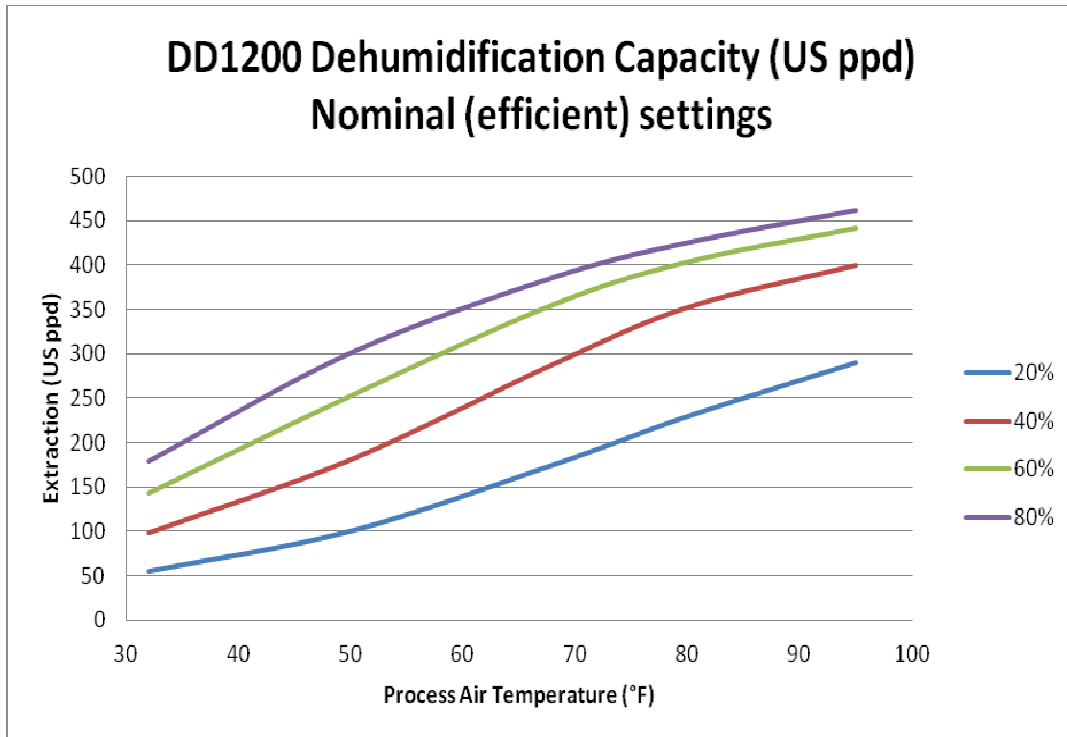
Drawing	: - TPC 392
Issue	: - 5
Date	: - 28/04/14

SPECIFICATIONS

MODEL:	DD1200
HEIGHT:	1420mm (56")
WIDTH:	711mm (28")
DEPTH:	584mm (23")
WEIGHT:	100Kg (220.5lbs)
POWER SUPPLY:	220V, 3 ph, 60Hz
POWER	11.8 kW (max)
F1 CONTROLS FUSE	2A 250V 5x20 Cartridge fuse
PROCESS AIRFLOW MAXIMUM:	1500m ³ /hr (883 cfm)
PROCESS AIRFLOW NOMINAL:	1200m ³ /hr (705cfm)
REGENERATION AIRFLOW NOMINAL:	330m ³ /hr (195 cfm)
PROCESS AIR OUTLET DIA:	200mm (8")
REGENERATION AIR OUTLET DIA:	150mm (6")
ROTOR WHEEL SPEED:	13.6 (RPH)
ROTOR SIZE DIA X DEPTH:	450mm (17.7") x 200mm (7.9")
HIGH EXTRACTION SETTING @ 27 °C 60% RH:	266 l/day (562 ppd)
HIGH EFFICIENCY SETTING @ 27 °C 60% RH:	190 l/day (402 ppd)
DEEP DRYING SETTING @ 27 °C 60% RH:	241 l/day (508 ppd)
TYPICAL DRY AIR OFF HIGH EXTRACTION SETTING (%RH)	9
TYPICAL DRY AIR OFF HIGH EFFICIENCY SETTING (%RH)	12
TYPICAL DRY AIR OFF DEEP DRYING SETTING (%RH)	5
MINIMUM OPERATING TEMPERATURE:	-20 °C (-4 °F)
MAXIMUM OPERATING TEMPERATURE	40 °C (104 °F)

UNIT CAPACITY

The ambient conditions of the area to be dehumidified will determine the amount of water extraction the unit is capable of. Measure the ambient conditions of the area to be determined and then use that information with the following capacity diagram to determine the unit capacity.



INSTALLATION

The DD1200 is designed for indoor use. The unit should be placed on a level surface and a space of 1 meter free around all faces to allow access for any duct work and servicing.

Connecting duct work:

The regeneration outlet must be ducted to outside the area being dehumidified. The outlet duct spigot is 6" diameter and only 6" ducting or greater should be attached.

The process outlet can be ducted to a specific area or another room. The outlet duct spigot is 8" diameter and only 8" ducting or greater should be attached.

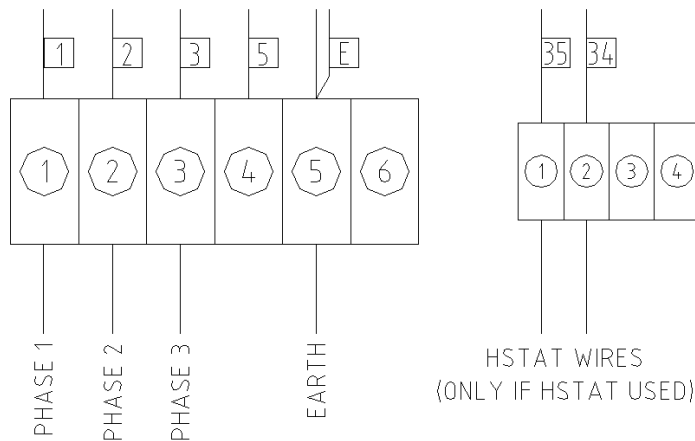
Power Supply & Humidistat Control:

The unit must be connected to a suitable 220V, 3 phase, 60Hz supply.

-WARNING-
THIS APPLIANCE MUST BE EARTHED

Feed power cables through the gland provided and then wire the unit as shown below.

An external humidistat can also be used to control the relative humidity in the dehumidified area. If a humidistat is used then the wires should pass through the gland provided and then wired as below.



Control Settings

Once the unit is positioned correctly, required duct work attached and the power supply connected, the fan speeds and temperature control need to be set correctly.

The fan speed controls are located behind a removable cover, to the right of the main controls. The controls are numbered 1 to 10, with 10 being the maximum speed.

The temperature control regulates the temperature of the reactivation airflow onto the desiccant wheel. The control can be set up to a maximum of 145°C. To adjust the temperature control simply press and hold the UP or DOWN arrows until the required temperature is selected. Once the required set point is reached release the buttons and the value is stored.

For normal (efficient) operation the process airflow should be set to 705cfm, and the regeneration airflow set to 195cfm. Measurements should be taken at the duct outlets using a suitable instrument.

The temperature setting should be set to 90°C above the ambient temperature of the area being dehumidified.

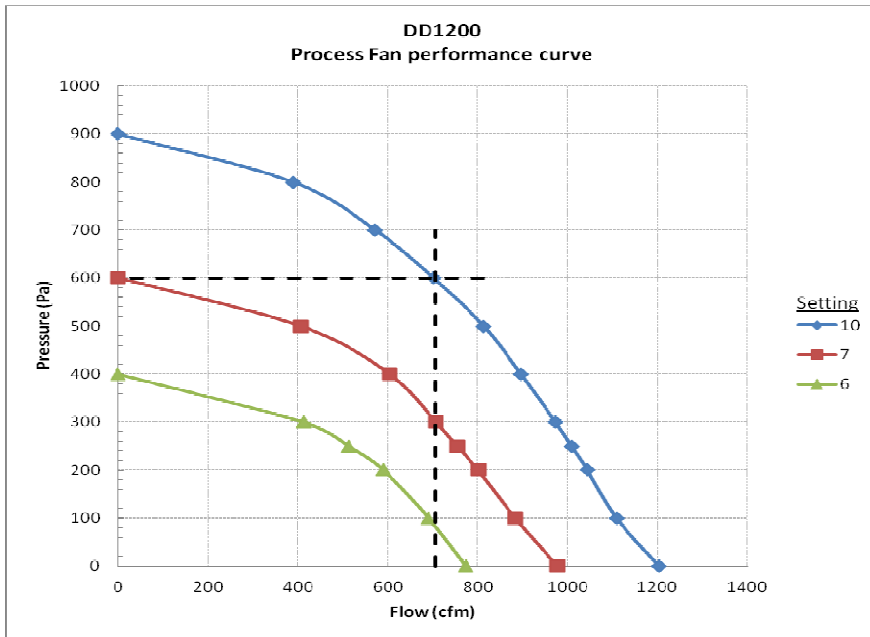
If high moisture extraction is required it will be necessary to increase both the process and regeneration airflows. The temperature control setting should also be increased.

If very low humidity levels are required then the process airflow should be reduced.

The following table should be used as a guide:

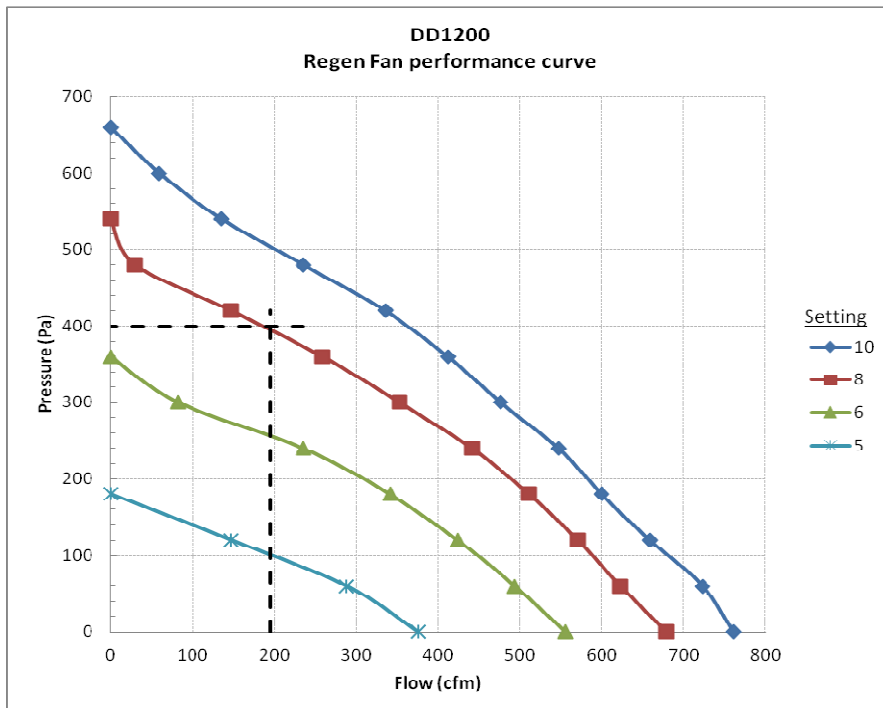
	PROCESS AIR FLOW (CFM)	REGEN AIR FLOW (CFM)	TEMPERATURE RISE (K)
STANDARD (EFFICIENT)	705	195	90
HIGH EXTRACTION	824	235	110
DEEP DRYING (LOW RH)	589	235	110

FAN PERFORMANCE CURVES



For example:

If the total system resistance is 600pa then the process fan selector would have to be set to No 10 to achieve the required airflow of 705cfm



For example:

If the total system resistance is 400pa then the regen fan selector would have to be set to No 8 to achieve the required airflow of 195cfm

OPERATION

The electrical controls are located on the front of the unit. They are:

- On / Off Switch

M	Dehumidifier in continuous operation
A	Dehumidifier operation by means of an external humidistat
0	Dehumidifier OFF

- An hour counter is provided to display the total time the unit has been in operation
- DRYING lamp – unit is in drying mode.
- HEATING lamp – indicates heating elements are on. Cycle on/off when in drying mode.
- FAULT lamp – unit has a fault

To start the dehumidifier, turn the On / Off switch to position M.

After a slight delay the fans will operate – air can be felt blowing from the air outlets and the heater will come on.

The unit will operate continuously at this setting.

If an external humidistat control is fitted, turn the unit to switch to position A. Depending on the setting of the humidistat, the dehumidifier may switch off as the relative humidity in the room decreases. As the humidity increase the unit will automatically switch back on.

High Temperature Cut-Out:

The DD1200 dehumidifier has been designed to work in ambient conditions of -4°F to +104°F. Should the temperature in the room become excessive an overheat protector will operate, switching off the heaters. The fans and drive motor will continue to operate but the fault lamp will illuminate. Prior to resetting the protector, check that the dehumidifier is installed correctly and the ambient temperature does not exceed 104°F.

See repairs section for details on resetting device.

SAFETY

-WARNING-

- ◆ **DO NOT** ALLOW CHILDREN TO PLAY WITH OR AROUND THE UNIT. ENSURE THE UNIT IS INACCESSIBLE TO CHILDREN WHEN NOT ATTENDED.
- ◆ **DO NOT** USE THIS UNIT IN AN ENVIRONMENT CONTAINING FLAMMABLE FUMES
- ◆ **DO NOT** USE THIS UNIT IF THE CABINET OR POWER CORD IS DAMAGED
- ◆ **DO NOT** INSERT OBJECTS INTO ANY OF THE GRILLES ON THE MACHINE
- ◆ **DO NOT** COVER OR OBSTRUCT AIRFLOW FROM THE GRILLES
- ◆ **DO NOT** OPERATE THE UNIT WITH THE COVERS REMOVED
- ◆ **DO NOT** ATTEMPT ANY REPAIRS SHOULD THE UNIT FAIL TO OPERATE
- ◆ **DO NOT** STAND ON THE UNIT
- ◆ **DO NOT** LIFT THE UNIT WHEN SWITCHED ON
- ◆ **DO** CHECK THE PLUG ON THE EQUIPMENT MATCHES THE SUPPLY
- ◆ **DO** USE THE UNIT FOR THE PURPOSE FOR WHICH IT WAS DESIGNED
- ◆ **DO** ENSURE THE POWER CORD AND SUPPLY IS EARTHED CORRECTLY
- ◆ **DO** USE A RESIDUAL CURRENT DEVICE "RCD" WHERE POSSIBLE
- ◆ **DO** KEEP THE UNIT DRY. NEVER USE A HOSE OR PRESSURE WASHER TO CLEAN THE UNIT.

ROUTINE MAINTENANCE & REPAIR

WARNING:

ENSURE THAT THE POWER CORD TO THE MACHINE HAS BEEN DISCONNECTED BEFORE CARRYING OUT ROUTINE MAINTENANCE.

SWITCH OFF THE DEHUMIDIFIER APPROXIMATELY 15 MINUTES PRIOR TO REMOVING ANY PANELS, ALLOWING THE HEATER TO COOL DOWN

To ensure continued full efficiency of the dehumidifier, maintenance procedures should be performed as follows:

- We recommend that the filters are checked at least once a month. Intervals for cleaning or replacement of filters will depend on the installation
- Never operate the dehumidifier without the filters, as the rotor can be damaged by dust.

To carryout the following, it is necessary to remove the side panels.

This machine should be serviced by qualified Ebac Industrial Products Ltd personnel or other persons having technical competence in servicing electrical equipment following the instructions in this Service Manual.

- The rotor is maintenance free. However, should it be necessary to clean the rotor, compressed air should be used to carefully blow dirt from the rotor.
- The heaters are maintenance free. However should it be necessary to clean the heaters, compressed air should be used to carefully blow dirt from the heaters.
- Check that the fans are firmly secured and that the fan rotates freely.
- Check all wiring connections.
- Check the belt tensioning at regular intervals.
- The overheat protector is located inside the unit, below the desiccant wheel. To reset this device press the red button.
- Should an electrical component fail, consult the Factory Service Center to obtain the proper replacement part.



Drawing	: - TPC 392
Issue	: - 5
Date	: - 28/04/14

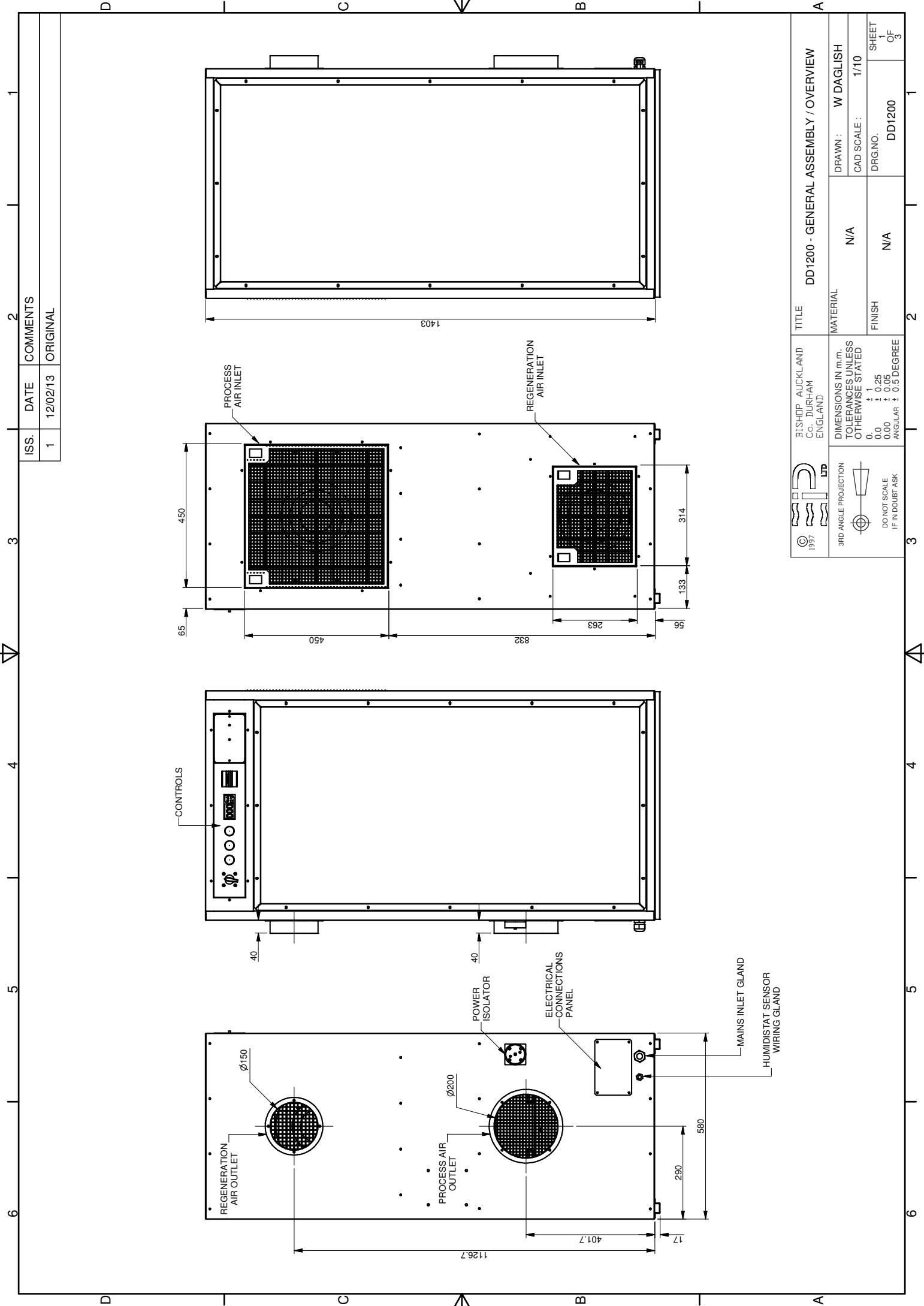
IF ANY OF THE PRECEDING PROBLEMS OCCUR, CONTACT THE EBAC INDUSTRIAL PRODUCTS LTD SERVICE CENTER PRIOR TO CONTINUED OPERATION OF THE UNIT TO PREVENT PERMANENT DAMAGE.

TROUBLESHOOTING

<u>SYMPTOM</u>	<u>CAUSE</u>	<u>REMEDY</u>
Little or no dehumidification capacity	Filter clogged No regeneration heat Reduced airflow No rotation of Rotor Air leakage	Clean or replace filters Check Heaters / OHP Check fans / duct Check belt tension / drive motor Check sealing
Dehumidifier does not start	No power Correct switch setting Loose electrical wiring	Check fuse Check Auto / Manual switch Check wiring diagram - fault find & repair
Rotor does not rotate	Drive belt slipping Drive belt broken Rotor jammed Drive motor faulty	Check belt tension Replace drive belt Check centre shaft, rim of rotor Check supply /Replace motor
No Dry or Wet Air Airflow	Filter clogged Fan faulty Ducts blocked	Clean or replace filters Check supply / fan Check duct for obstruction
Noisy	Fan loose Loose fastenings	Check fans secured firmly Tighten all fastenings

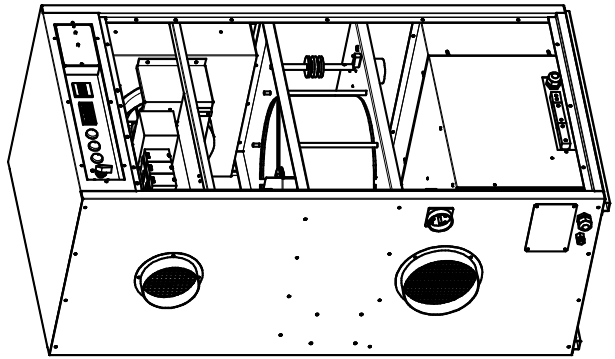
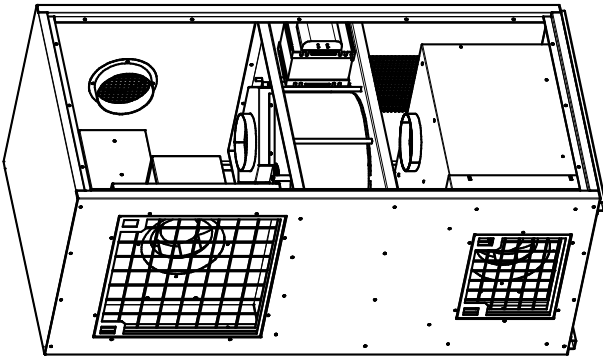
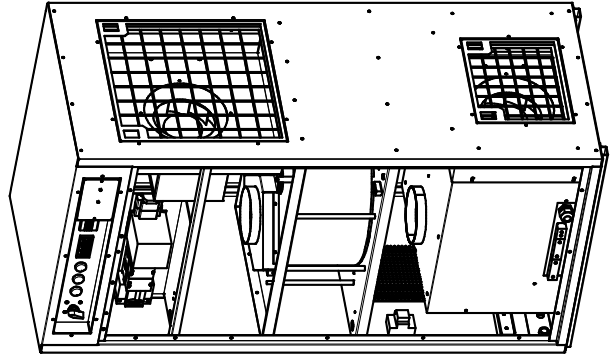
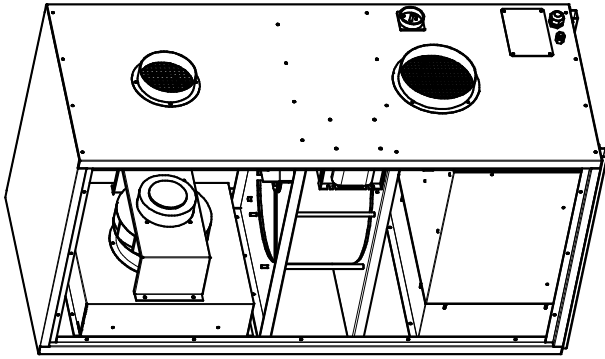
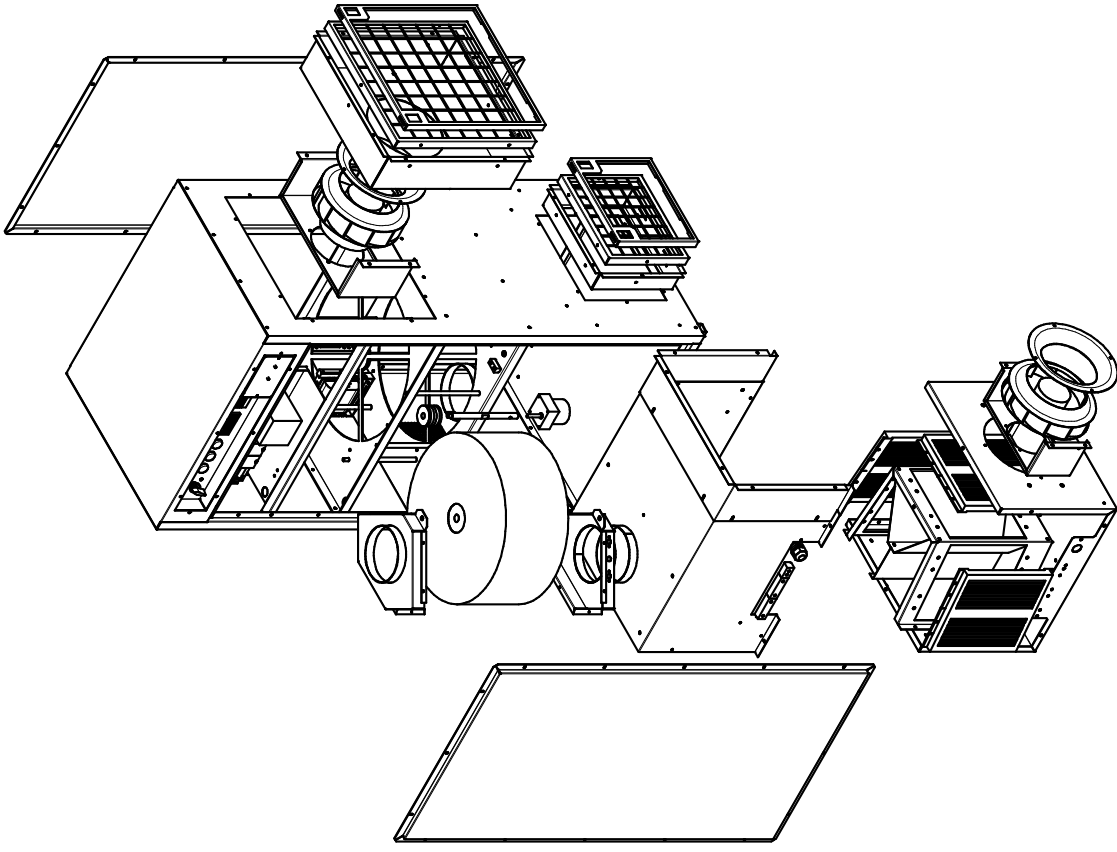


Drawing	: - TPC 392
Issue	: - 5
Date	: - 28/04/14



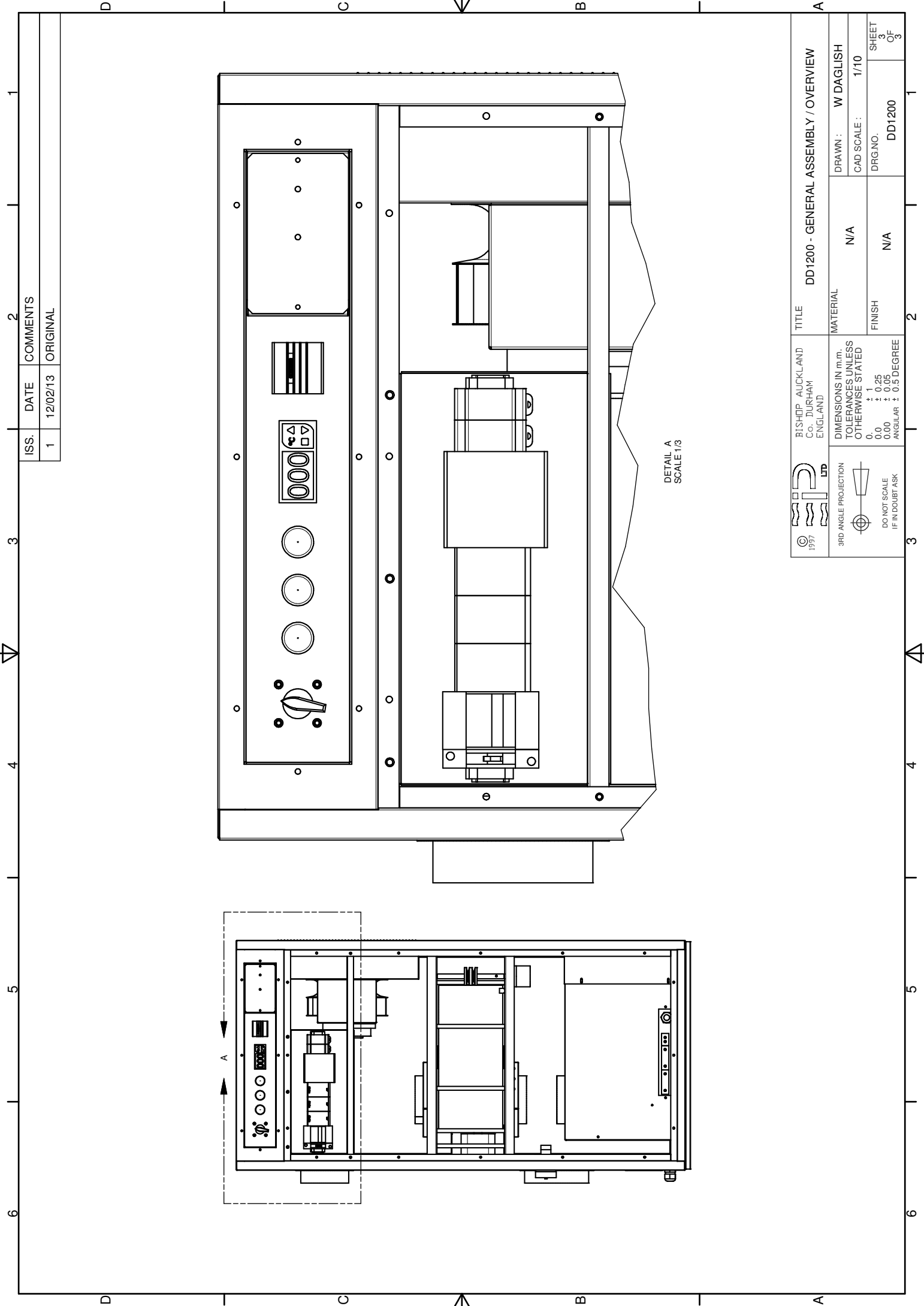
ISS.	DATE	COMMENTS
1	12/02/13	ORIGINAL

TITLE		DD1200 - GENERAL ASSEMBLY / OVERVIEW	
BISHOP AUCKLAND Co. DURHAM ENGLAND		MATERIAL	N/A
DIMENSIONS IN m.m. TOLERANCES UNLESS OTHERWISE STATED 0 ± 1 0.0 ± 0.25 0.00 ± 0.05 ANGULAR ± 0.5 DEGREE		FINISH	N/A
3RD ANGLE PROJECTION DO NOT SCALE IF IN DOUBT ASK		DRAWN :	W DAGLISH
		CAD SCALE :	1/10
		DRG.NO.	DD1200
		SHEET OF 3	




ISS.	DATE	COMMENTS
1	12/02/13	ORIGINAL

TITLE		DD1200 - GENERAL ASSEMBLY / OVERVIEW	
BISHOP AUCKLAND Co. DURHAM ENGLAND		MATERIAL	N/A
DIMENSIONS IN m.m. TOLERANCES UNLESS OTHERWISE STATED		DRAWN :	W DAGLISH
0	+ 1	CAD SCALE :	1/14
0.0	+ 0.25	DRG.NO.	DD1200
0.00	+ 0.05	FINISH	N/A
ANGULAR	+ 0.5 DEGREE	SHEET 2 OF 3	

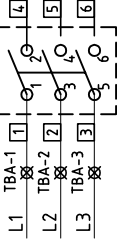


ISS.	DATE	COMMENTS
1	12/02/13	ORIGINAL

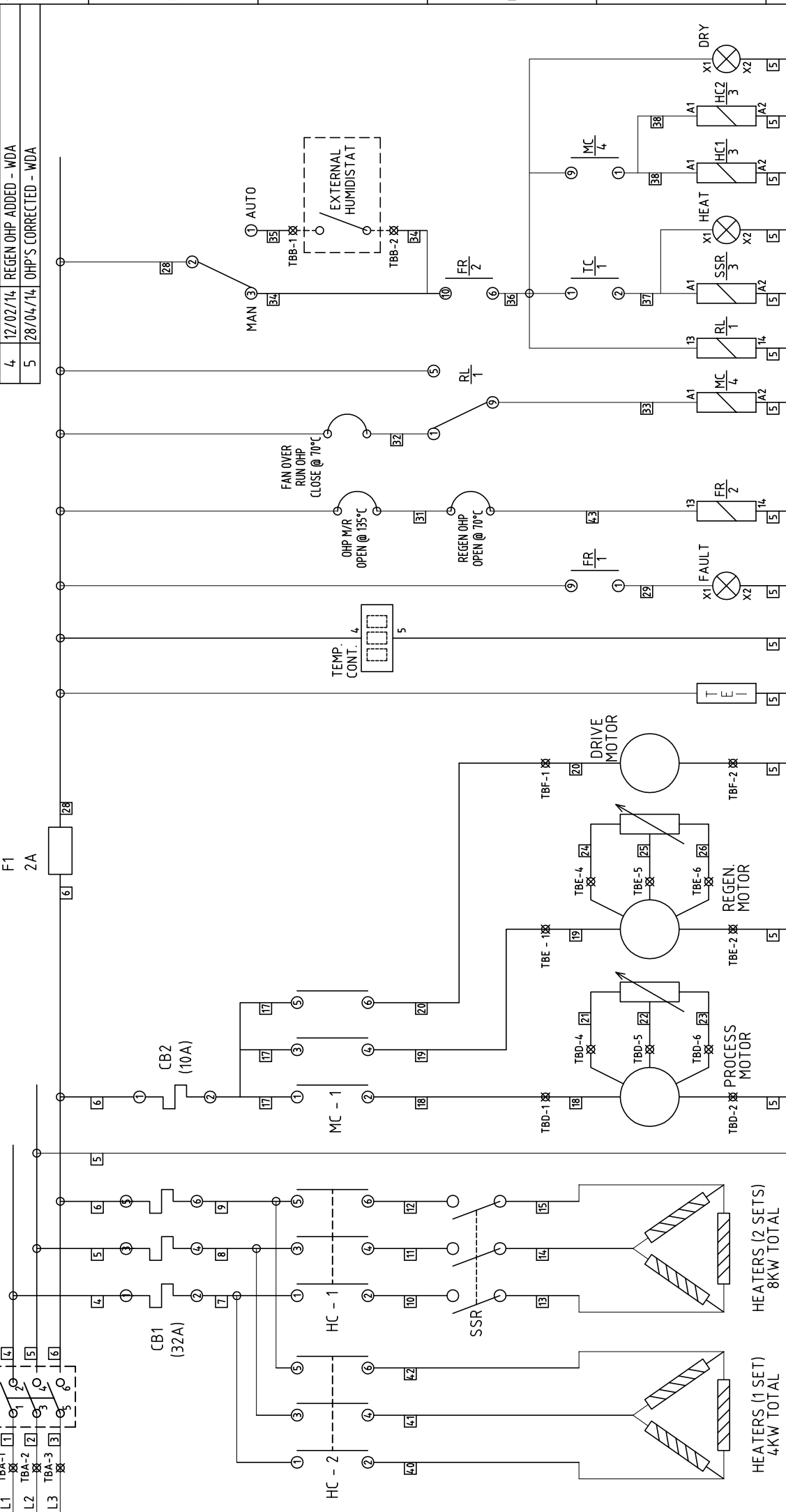
DETAIL A
SCALE 1/3

 <p>© 1997 3RD ANGLE PROJECTION DO NOT SCALE IF IN DOUBT ASK</p>	BISHOP AUCKLAND Co. DURHAM ENGLAND	TITLE DD1200 - GENERAL ASSEMBLY / OVERVIEW
	DIMENSIONS IN m.m. TOLERANCES UNLESS OTHERWISE STATED	MATERIAL N/A
	0 ± 1 0.0 ± 0.25 0.00 ± 0.05 ANGULAR ± 0.5 DEGREE	DRAWN : W DAGLISH CAD SCALE : 1/10 DRG.NO. DD1200
		SHEET OF 3

220
3PH
60Hz



FUSE
F1
2A



ISSUE	DATE	AMENDMENTS
1	04/07/12	ORIGINAL
2	13/02/13	PROTOTYPE ISSUES CORRECTED - WDA
3	14/03/13	HEATERS PREVIOUSLY WIRED STAR - WDA
4	12/02/14	REGEN OHP ADDED - WDA
5	28/04/14	OHP'S CORRECTED - WDA



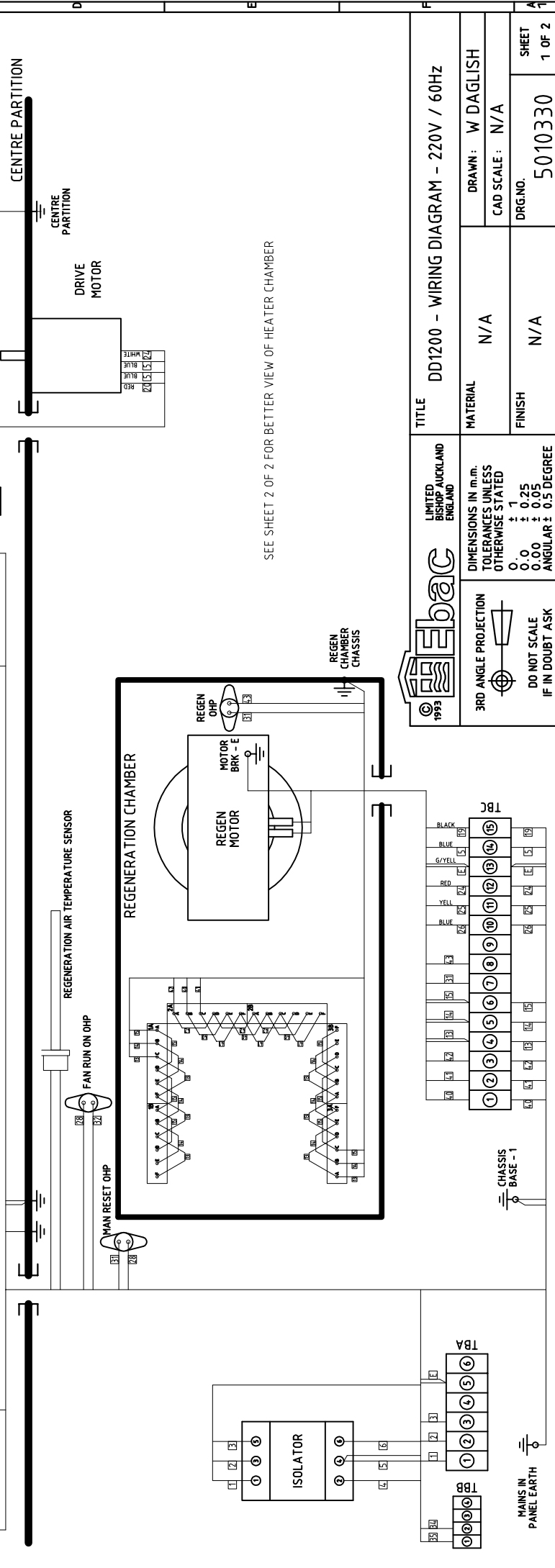
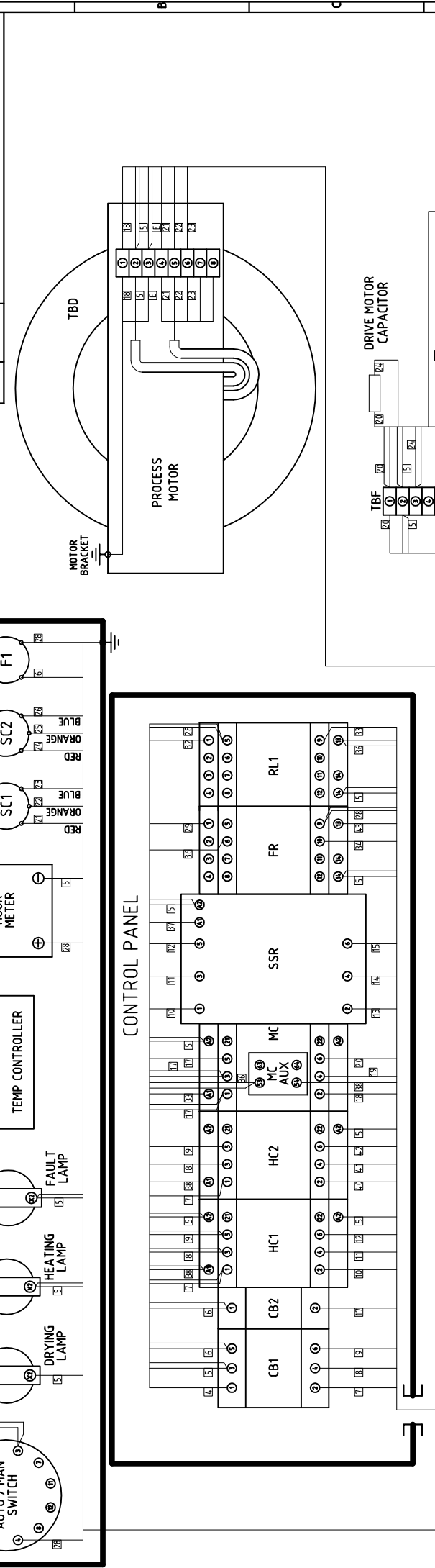
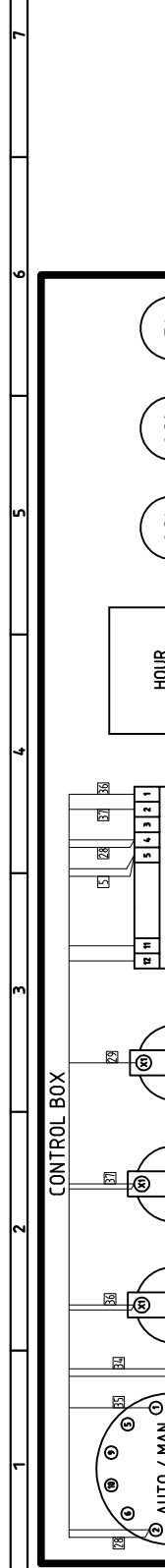
1993
LIMITED
BISHOP AUCKLAND
ENGLAND

TITLE	MATERIAL	DRAWN :
DD1200 - 220V/60Hz 3PH - WIRING SCHEMATIC	N/A	W DAGLISH
		CAD SCALE : N/A
		DRG.NO. 5020330
		FINISH N/A
		SHEET 1 OF 1

3RD ANGLE PROJECTION
DO NOT SCALE
IF IN DOUBT ASK

DIMENSIONS IN m.m.
TOLERANCES UNLESS
OTHERWISE STATED
0.0 ± 0.25
0.00 ± 0.05
ANGULAR ± 0.5 DEGREE

ISSUE	DATE	AMENDMENTS
3	14/03/13	PILOT BUILD ISSUES INCORPORATED - WDA
4	16/09/13	GENERAL PRODUCTION UPDATE - WDA
5	13/02/14	REGEN OHP ADDED - WDA
6	06/05/14	MAINS INLET PLATE EARTH ADDED - WDA

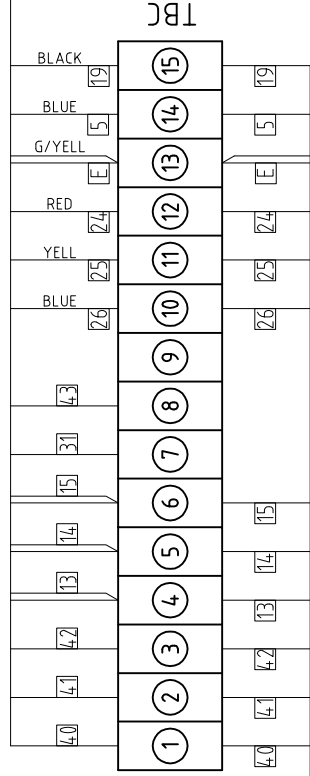
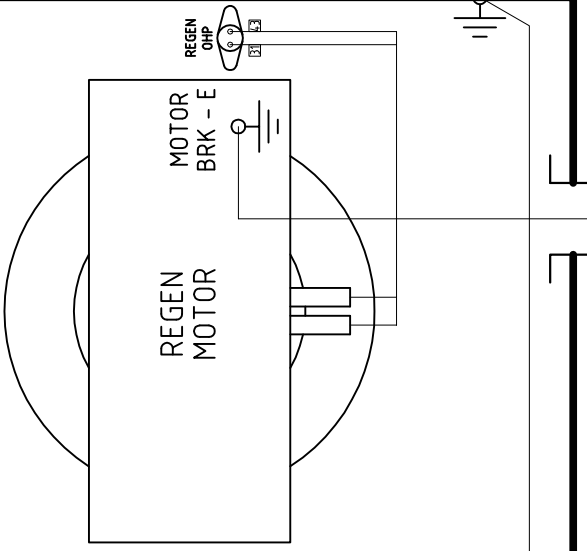
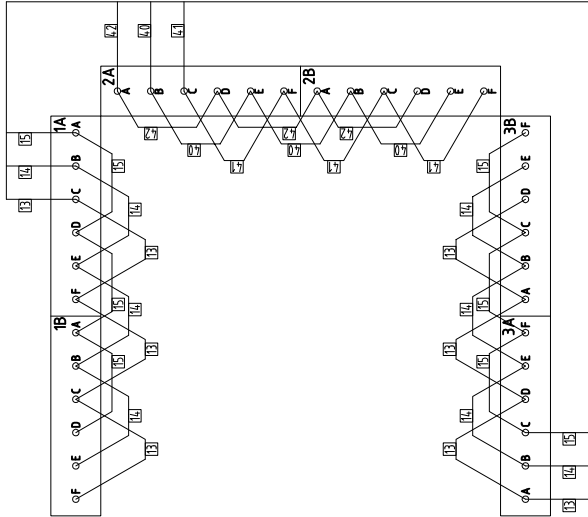


SEE SHEET 2 OF 2 FOR BETTER VIEW OF HEATER CHAMBER

LIMITED BISHOP AUCKLAND ENGLAND		1993	
DIMENSIONS IN m.m. TOLERANCES UNLESS OTHERWISE STATED ± 1 0.00 ± 0.25 0.00 ± 0.05 ANGULAR ± 0.5 DEGREE		DO NOT SCALE IF IN DOUBT ASK	
TITLE	DD1200 - WIRING DIAGRAM - 220V / 60Hz	MATERIAL	N/A
DRAWN:	W DAGLISH	CAD SCALE:	N/A
DRG.NO.	5010330	FINISH	N/A
		SHEET 1 OF 2	

ISSUE	DATE	AMENDMENTS
3	14/03/13	PILOT BUILD ISSUES INCORPORATED - WDA
4	16/09/13	GENERAL PRODUCTION UPDATE - WDA
5	13/02/14	REGEN OHP ADDED - WDA
6	06/05/14	MAINS INLET PLATE EARTH ADDED - WDA

REGENERATION CHAMBER



LIMITED
 BISHOP AUCKLAND
 ENGLAND

DIMENSIONS IN m.m.
 TOLERANCES UNLESS
 OTHERWISE STATED
 ± 1
 0.00 ± 0.25
 0.00 ± 0.05
 ANGULAR ± 0.5 DEGREE

3RD ANGLE PROJECTION
 DO NOT SCALE
 IF IN DOUBT ASK

TITLE	DD1200 - WIRING DIAGRAM - 220V / 60Hz	
MATERIAL	N/A	DRAWN: W DAGLISH
FINISH	N/A	CAD SCALE: N/A
DRG.NO.	5010330	SHEET 2 OF 2



Drawing	: - TPC 392
Issue	: - 5
Date	: - 28/04/14

UK Head Office

Ebac Industrial Products Ltd
St Helens Trading Estate
Bishop Auckland
County Durham
DL14 9AD

Tel: +44 (0) 1388 664400
Fax: +44 (0) 1388 662590

www.eipl.co.uk
sales@eipl.co.uk

American Sales Office

Ebac Industrial Products Inc
700 Thimble Shoals Blvd.
Suite 109, Newport News
Virginia, 23606-2575
USA

Tel: +01 757 873 6800
Fax: +01 757 873 3632

www.ebacusa.com
sales@ebacusa.com

German Sales Office

Ebac Industrial Products Ltd.
Gartenfelder Str. 29-37
Gebäude 35
D-13599, Berlin
Germany

Tel: +49 3043 557241
Fax: +49 3043 557240

www.eip-ltd.de
sales@eip-ltd.de