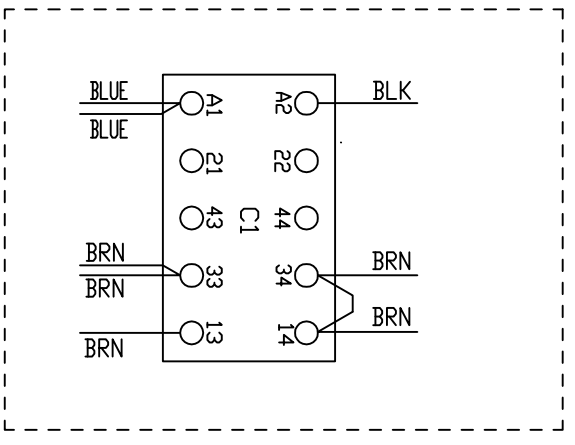
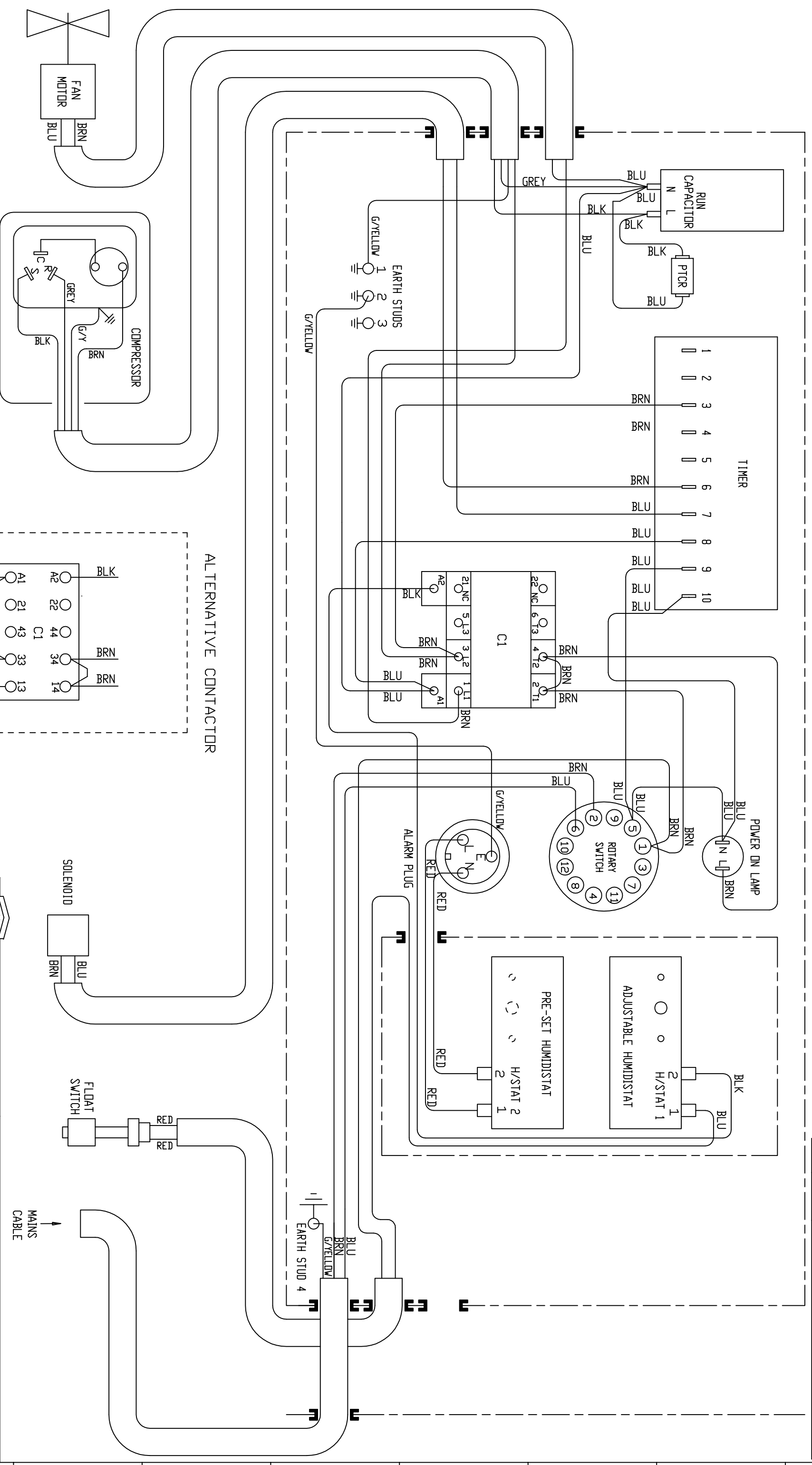


ISSUE	DATE	AMENDMENTS	ISSUE	DATE	AMENDMENTS
5	28/08/09	CONTACTOR TURNED UPSIDE DOWN - WDA	1	10/08/95	ORIGINAL
6	06/10/09	4 CORE CABLE NOW HAS GREY CORE INSTEAD OF BLUE - WDA	2	06/05/08	HEATER TAPE REMOVED - WDA
7	27/11/09	PTCR ADDED - WDA	3	06/05/08	ALTERNATIVE CONTACTOR ADDED - WDA
			4	06/04/09	ALTERNATIVE CONTACTOR SWITCHED WITH ACTUAL CONTACTOR - WDA



1993

BISHOP AUCKLAND LIMITED
BISHOP AUCKLAND ENGLAND

TITLE
WIRING DIAGRAM FOR CD100E

MATERIAL

FINISH

DRAWN: SR.LILLY
CAD SCALE: -----

DRGNO: 5012146
SHEET: 1 OF 1

3RD ANGLE PROJECTION
DO NOT SCALE
IF IN DOUBT ASK

DIMENSIONS IN mm
TOLERANCES UNLESS OTHERWISE STATED
0.0
0.00
ANGULAR ± 0.5 DEGREE