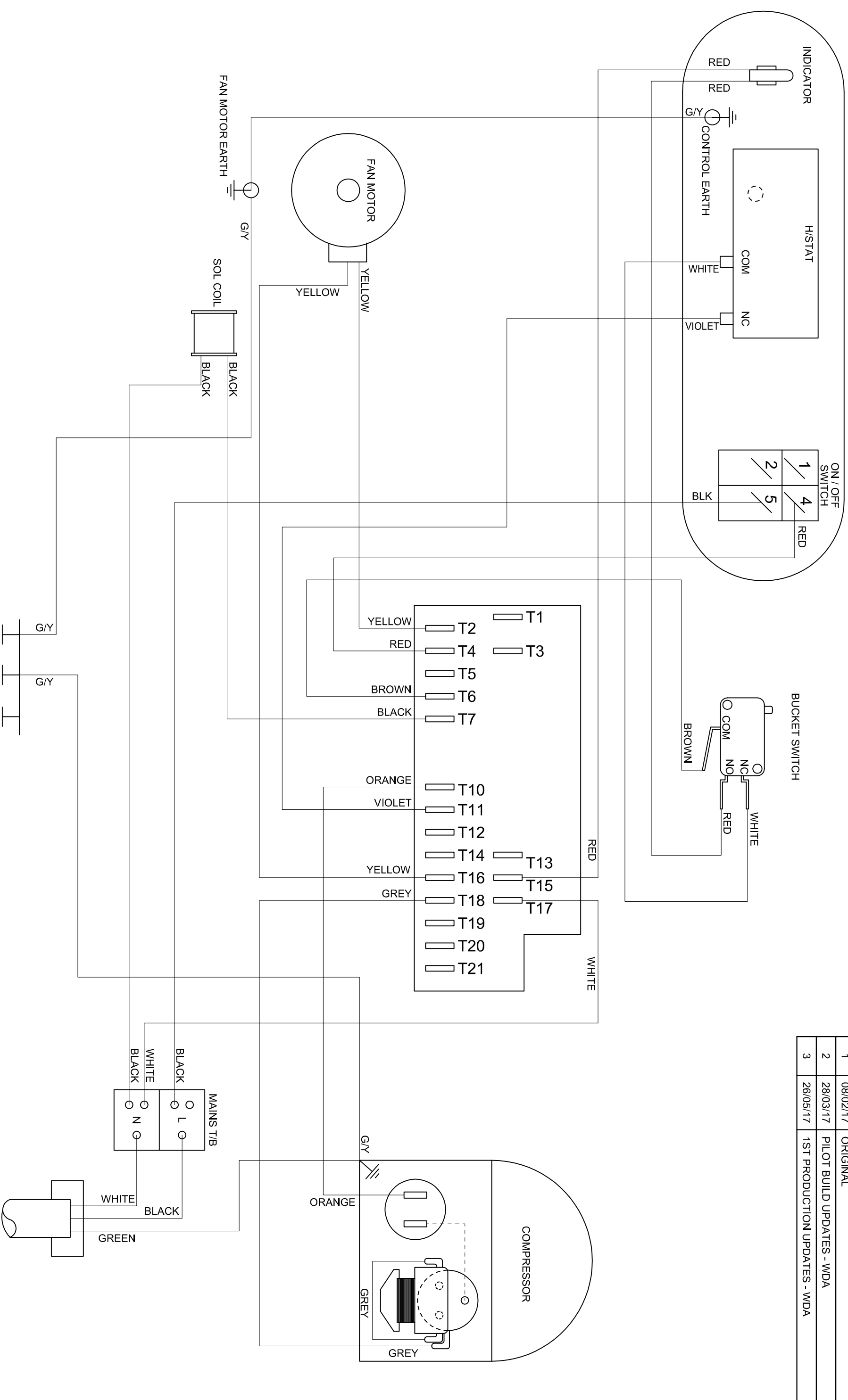


ISSUE	DATE	AMENDMENTS
1	08/02/17	ORIGINAL
2	28/03/17	PILOT BUILD UPDATES - WDA
3	26/05/17	1ST PRODUCTION UPDATES - WDA



TITLE
RM40 - US 110V - DIAGRAM

MATERIAL
SEE DRW

FINISH
SEE DRW

3RD ANGLE PROJECTION
DO NOT SCALE
IF IN DOUBT ASK

1997 LTD

BISHOP AUCKLAND
Co. DURHAM
ENGLAND

DIMENSIONS IN m.m.
TOLERANCES UNLESS OTHERWISE STATED

0.0	± 1
0.00	± 0.25
0.00	± 0.05
ANGULAR	± 0.5 DEGREE

DRAWN: W DAGLISH
CAD SCALE: 1/1

DRG. NO. 5010418

SHEET 1 OF 1

A 3