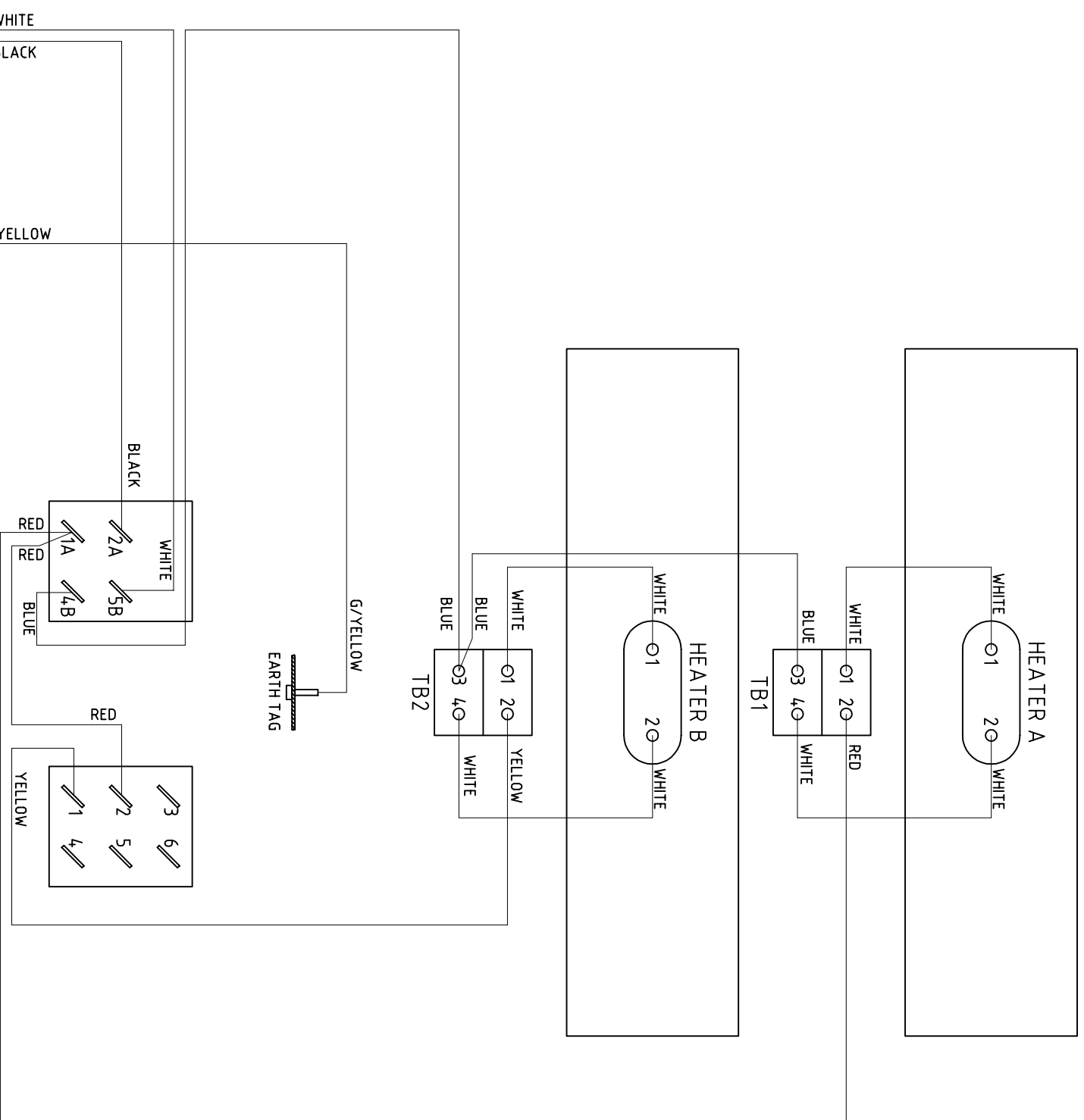


ISSUE	DATE	AMENDMENTS
1	03/02/11	ORIGINAL
2	23/09/13	ORIENTATION CHANGED / EARTH ADDED - WDA



<p>3RD ANGLE PROJECTION DO NOT SCALE IF IN DOUBT ASK</p>		<p>LTD</p>	
<p>1997 BISHOP AUCKLAND Co. DURHAM ENGLAND</p>		<p>TITLE WIRING DIAGRAM - 1500W CERAMIC HEATER</p>	
<p>DIMENSIONS IN m.m. TOLERANCES UNLESS OTHERWISE STATED</p> <p>0.0 ± 1 0.0 ± 0.25 0.00 ± 0.05 ANGULAR ± 0.5 DEGREE</p>		<p>MATERIAL N/A</p>	
<p>FINISH N/A</p>		<p>DRAWN: W DAGLISH CAD SCALE: N/A</p>	
<p>DRG.NO. 5010210</p>		<p>SHEET 1 OF 1</p>	