

COMMERCIAL
MODELS: MVB 2503 THRU 4003

CATALOG NO. 9300.743
Effective: 08-15-16
Replaces: 06-15-16

RAYPAK ILLUSTRATED PARTS LIST

MODEL SIZES: 2503, 3003, 3503 & 4003

MODEL TYPES: MODULATING VERTICAL BOILER H, WH CAT IV

DATES OF MANUFACTURE: 01-01-13 THROUGH CURRENT

THE PARTS LISTED ARE FOR STANDARD EQUIPMENT FOR THIS MODEL TYPE. RAYPAK RESERVES THE RIGHT TO SUBSTITUTE, DELETE OR CHANGE ANY PART WITHOUT NOTIFICATION. THE ADDITION OF OPTIONS MAY ALSO CHANGE SOME OF THE PARTS. ORDER REPLACEMENT PARTS FROM ACTUAL HEATER COMPONENTS.

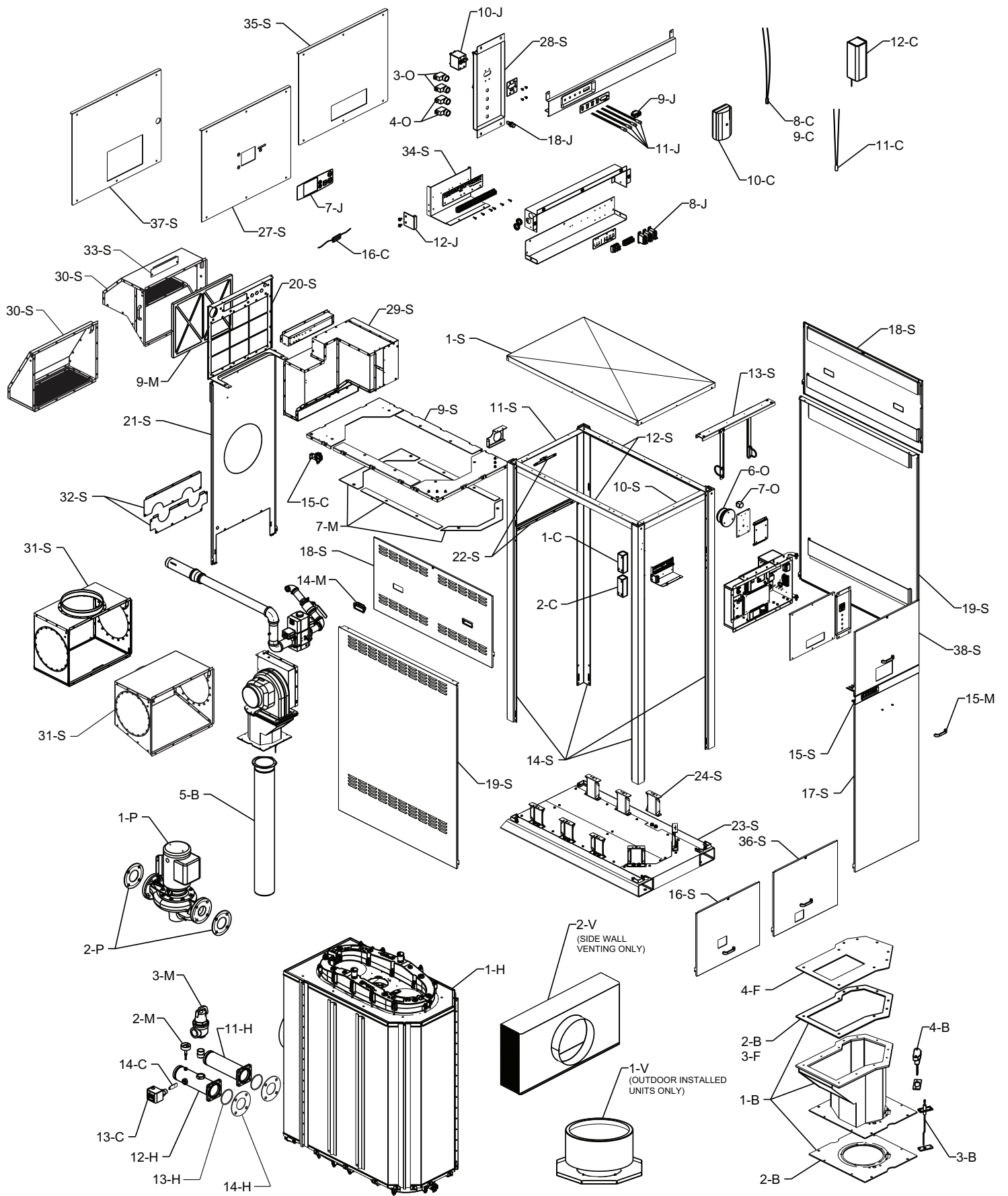


FOR DETAILED INSTRUCTIONS, SEE "HOW TO USE YOUR RAYPAK ILLUSTRATED PARTS LIST",
CATALOG NO. 9001.10

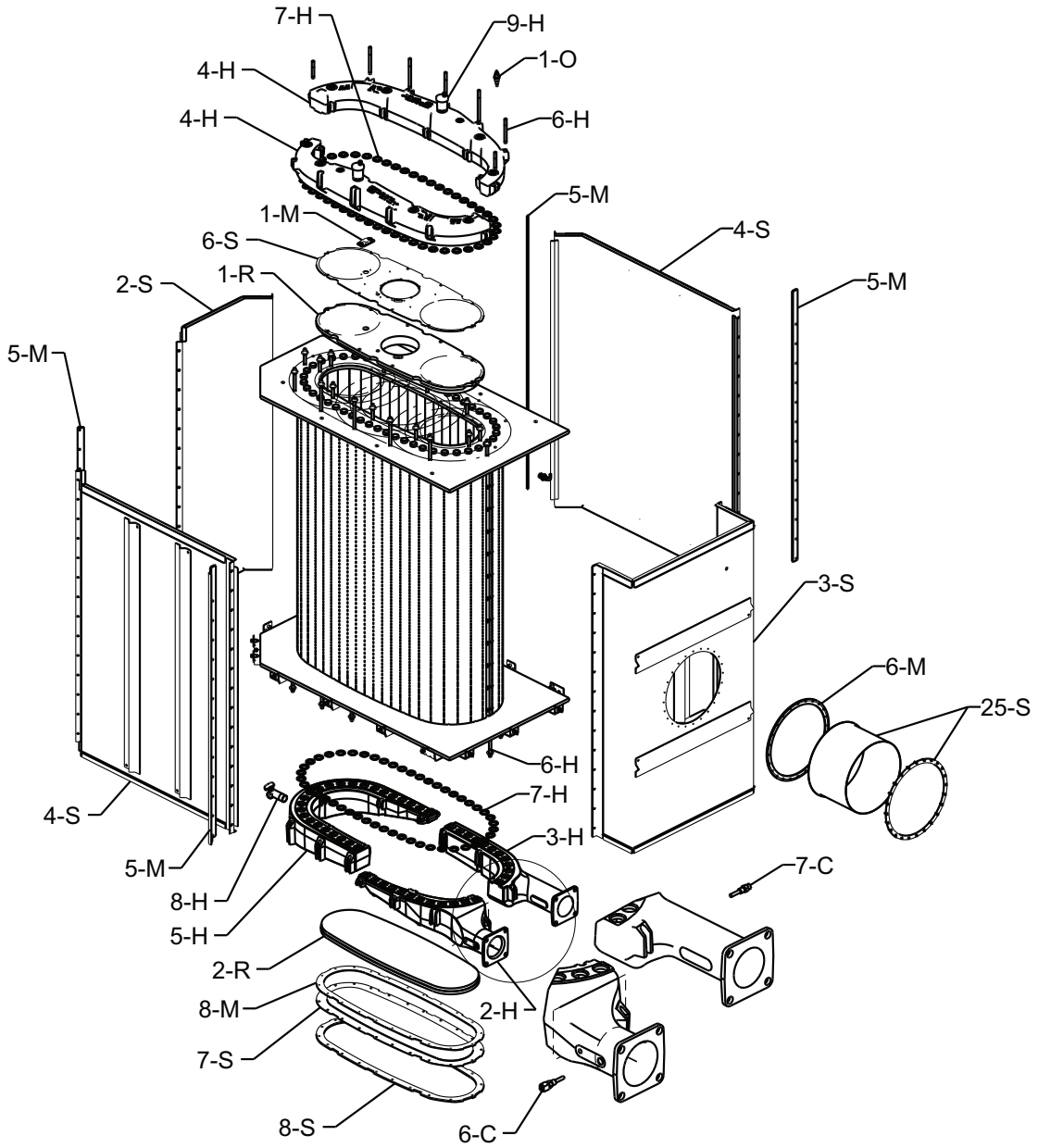


Raypak, Inc., 2151 Eastman Avenue, Oxnard, CA 93030
(805) 278-5300 FAX (805) 278-5489
Litho In U.S.A.

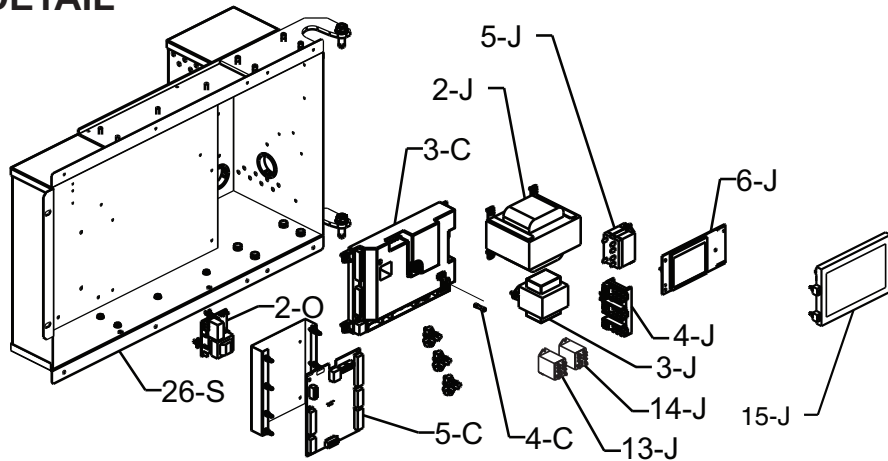
P/N 241499



HEAT EXCHANGER DETAIL

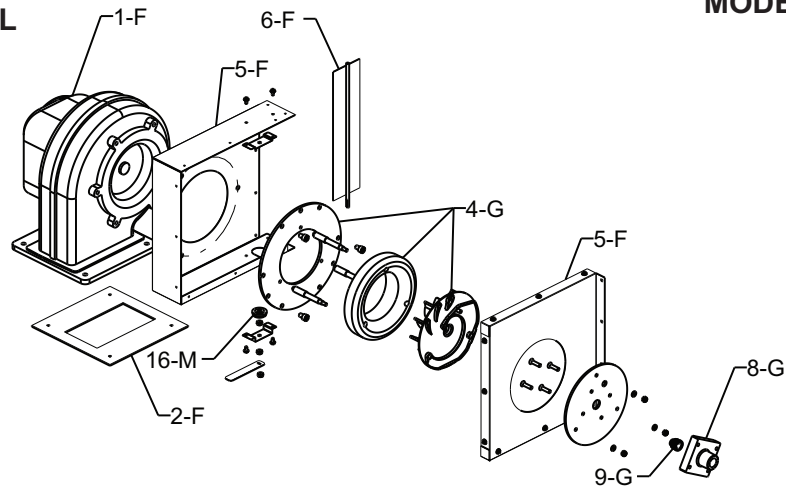


J-BOX DETAIL

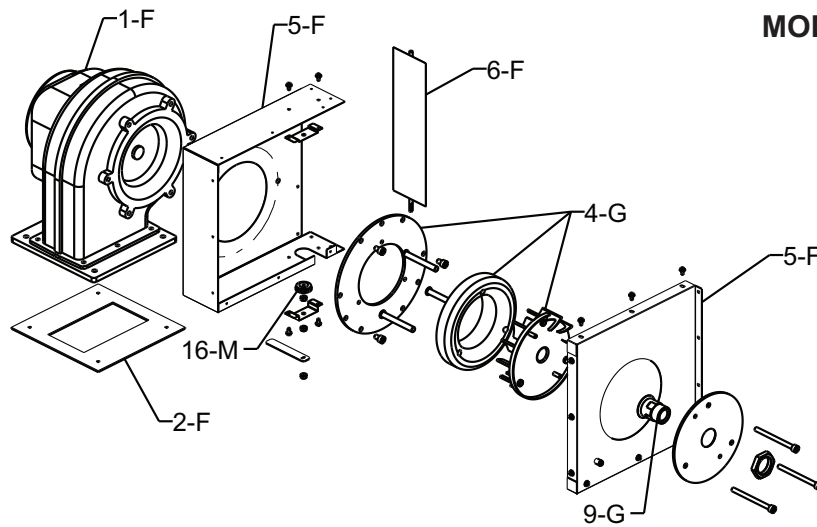


BLOWER DETAIL

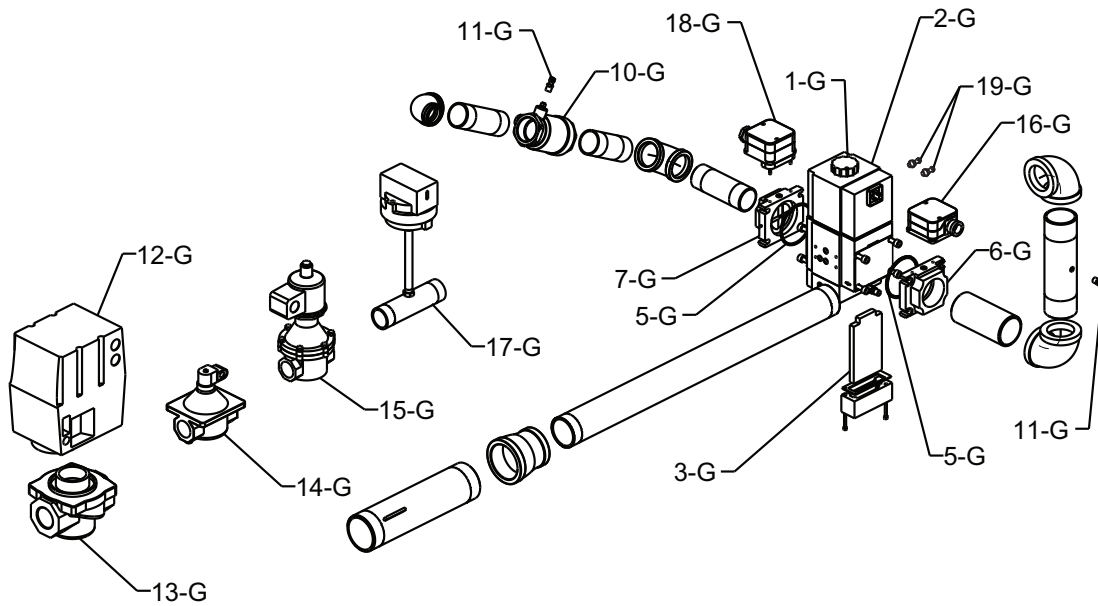
MODEL 2503



MODELS 3003-4003



GAS TRAIN DETAIL



CALL OUT	DESCRIPTION	2503	3003	3503	4003
B	BURNER ASSEMBLY				
1-B	Adapter Assembly	014397F	014397F	014397F	014397F
2-B	Adapter Gaskets	014398F	014398F	014398F	014398F
3-B	Flame Sensor Probe	011752F	011752F	011752F	011752F
4-B	Igniter	007400F	007400F	007400F	007400F
5-B	Burner	014399F	014400F	014401F	014402F
C	CONTROLS				
1-C	Auto Reset Adjustable High Limit 240F Max	007141F	007141F	007141F	007141F
	Auto Reset Adjustable High Limit 200F Max	012546F	012546F	012546F	012546F
	Auto Reset Adjustable High Limit 180F Max	006445F	006445F	006445F	006445F
2-C	Manual Reset Adjustable High Limit 240F	007144F	007144F	007144F	007144F
	Manual Reset Adjustable High Limit 200F	008081F	008081F	008081F	008081F
	Manual Reset Adjustable High Limit 180F	009554F	009554F	009554F	009554F
3-C	PIM (Platform Ignition Module) Multi Try	014324F	014324F	014324F	014324F
	PIM (Platform Ignition Module) Single Try CSD-1	014325F	014325F	014325F	014325F
4-C	Fuse 5 Amp (Fast Acting)	013971F	013971F	013971F	013971F
5-C	PC Board VERSA IC	013935F	013935F	013935F	013935F
6-C	Inlet Sensor (2 Wire)	013175F	013175F	013175F	013175F
7-C	Outlet/Limit Sensor (4 Wire)	013932F	013932F	013932F	013932F
8-C	System Water Sensor 10K	010787F	010787F	010787F	010787F
9-C	Indirect DHW Sensor 10K	010787F	010787F	010787F	010787F
10-C	Sensor Outdoor Air B-32	010786F	010786F	010786F	010786F
11-C	Sensor Water (Temp Tracker) B-36 thru B-38	012187F	012187F	012187F	012187F
12-C	Indirect Tank Aquastat Control B-65	007148F	007148F	007148F	007148F
13-C	Flow Switch	007142F	007142F	007142F	007142F
14-C	Flow Switch Paddle (Taco)	010026F	010026F	010026F	010026F
15-C	Air Vent Pressure Switch	011760F	011760F	011760F	011760F
16-C	Fuse 5 Amp (Pump) (Slow Blow)	013972F	013972F	013972F	013972F
F	FAN				
1-F	Blower Combustion Air	014406F	014406F	014407F	014407F
2-F	Blower Gasket	014408F	014408F	014408F	014408F
3-F	Adapter Gasket	014409F	014409F	014409F	014409F
4-F	Adapter Plate	014410F	014410F	014410F	014410F
5-F	Plenum Assembly	014411F	014412F	014412F	014412F
6-F	Air Shutter	014413F	014414F	014414F	014414F
G	GAS TRAIN				
1-G	Valve Gas Modulating 120V (Dungs) Natural Gas	014415F	014416F	014416F	014417F
	Valve Gas Modulating (Dungs) Propane Gas	014415F	014415F	014415F	014415F
2-G	Valve Coil 120V Nat	014693F	014693F	014693F	014694F
	Valve Coil 120V Pro	014693F	014693F	014693F	014693F
3-G	Inlet Gas Filter Natural Gas	012295F	012295F	012295F	014696F
	Inlet Gas Filter Propane Gas	012295F	012295F	012295F	012295F
4-G	Swirler	014418F	014419F	014419F	015833F
5-G	O Rings (Includes Gas Valve and Adapter O Rings)	012440F	012440F	012440F	012440F
6-G	Adapter Gas Valve 2" Inlet (Includes O Rings)	011917F	011917F	011917F	011917F
7-G	Adapter Gas Valve Outlet w/Shutter (Includes O Ring)	014466F	014466F	014466F	014466F
8-G	Adapter Swirl Plate	012298F	N/A	N/A	N/A
9-G	Nozzle Natural Gas	014467F	014490F	014490F	014491F
	Nozzle Propane Gas	012304F	014490F	014490F	014491F
10-G	Valve Gas Ball (WOG)	014468F	014468F	014468F	014468F
11-G	Bleedle Valve 1/8 MPT	007423F	007423F	007423F	007423F
19-G	Bleedle Valve G-1/8	015400F	015400F	015400F	015400F
12-G	Motorized Safety Shut Off Valve M-1(Optional)	011908F	011908F	011908F	011908F
13-G	Gas Valve Body M1 (Optional)	014469F	014469F	014469F	014469F
14-G	Solenoid Safety Shut Off Valve M-10 (Optional)	014470F	014470F	014470F	014470F
15-G	Vent Valve Gas M-15 (Optional)	014471F	014471F	014471F	014471F
16-G	Switch Low Gas Pressure (Optional)	011770F	011770F	011770F	011770F
17-G	Switch Low Gas Pressure w/M-1 or M-10 (Optional)	007187F	007187F	007187F	007187F
18-G	Switch High Gas Pressure (Standard)	011771F	011771F	011771F	011771F
H	HEAT EXCHANGER				
1-H	Heat Transfer Cupro-Nickel Bronze (Includes 23-S)	014472F	014473F	014474F	014475F
	Heat Transfer Copper Bronze (Includes 23-S)	014476F	014477F	014478F	014479F
2-H	Inlet Header Bronze	014480F	014480F	014480F	014480F
3-H	Outlet Header Bronze	014481F	014481F	014481F	014481F
4-H	Return Header Bronze	014482F	014482F	014482F	014482F
5-H	Crossover Header Bronze	014483F	014483F	014483F	014483F
6-H	Stud Bolt				
	Inlet/Outlet/Crossover Headers	014513F	014513F	014513F	014513F
	Return Headers	014514F	014514F	014514F	014514F
7-H	Header Gasket (24 PCS)	007834F	007834F	007834F	007834F
8-H	Drain Valve	006536F	006536F	006536F	006536F
9-H	Air Vent Valve	011866F	011866F	011866F	011866F
11-H	Inlet Adapter Copper Grooved Tube	014484F	014484F	014484F	014484F
12-H	Outlet Adapter Copper Grooved Tube	014485F	014485F	014485F	014485F
13-H	Adapter O-Ring	014486F	014486F	014486F	014486F
14-H	Flange Gasket	015544F	015544F	015544F	015544F

CALL OUT	DESCRIPTION	2503	3003	3503	4003
J	CONTROL BOX				
1-J	Control Box Complete	N/A	N/A	N/A	N/A
2-J	Transformer 220/120V 300VA	014403F	014403F	014403F	014403F
3-J	Transformer 115/230V 43VA	014404F	014404F	014404F	014404F
4-J	Terminal Block w / Ground Lug	008523F	008523F	008523F	008523F
9-J	Time Delay Relay (Alarm Bell)	651293	651293	651293	651293
5-J	Blower Relay DPST 24 VAC	007925F	007925F	007925F	007925F
6-J	LCD Display PC Board	013939F	013939F	013939F	013939F
15-J	Touchscreen Display	015878F	015878F	015878F	015878F
16-J	SD Card Programmed (Not Shown)	015887F	015887F	015887F	015887F
17-J	Lithium Battery 3V (Not Shown)	015888F	015888F	015888F	015888F
7-J	Switch/Decal Membrane	013937F	013937F	013937F	013937F
13-J	Relay DPDT 24V NO (Units manufactured prior to 2/10/16)	011720F	011720F	011720F	011720F
14-J	Relay DPDT 110/120V NO/NC (Units manufactured prior to 2/10/16)	013243F	013243F	013243F	013243F
8-J	Pump Relay SPDT 120 VAC (Wiring Box)	012126F	012126F	012126F	012126F
9-J	Rocker Switch	009493F	009493F	009493F	009493F
10-J	On / Off Shut Down Breaker Switch 30 Amp	014405F	014405F	014405F	014405F
11-J	Indicator Lamp LED	011848F	011848F	011848F	011848F
12-J	PC Board Adapter Status Lights Wiring	014712F	014712F	014712F	014712F
18-J	Reset Switch for Touchscreen	015879F	015879F	015879F	015879F
M	MISCELLANEOUS COMPONENTS				
1-M	Window Combustion Chamber	015117F	015117F	015117F	015117F
18-M	Combustion Chamber Window Seal	015651F	015651F	015651F	015651F
2-M	T & P Gauge 0-75 PSI	007205F	007205F	007205F	007205F
	T & P Gauge 0-200 PSI	007399F	007399F	007399F	007399F
	T & P Gauge 0-230 PSI	014221F	014221F	014221F	014221F
3-M	PRV 30 PSI	007750F	007750F	007750F	007750F
	PRV 60 PSI	007755F	007755F	014488F	014488F
	PRV 75 PSI	007757F	014678F	014678F	015275F
	PRV 125 PSI	007759F	012312F	012312F	012312F
	PRV 150 PSI	012313F	012313F	012314F	012314F
4-M	RTV Sealant 2.8 oz. (Not Shown)	008924F	008924F	008924F	008924F
	RTV Sealant 10 oz. (Not Shown)	005755F	005755F	005755F	005755F
5-M	Flue Collector Vertical Seal Gasket	014487F	014487F	014487F	014487F
6-M	Flue Exhaust Adapter Gasket	009690F	009690F	009691F	009691F
7-M	Heat Transfer Heat Shield Gaskets Units manufactured prior to 12/1/14	014489F	014489F	014489F	014489F
	Units manufactured From to 12/1/14	015532F	015532F	015532F	015532F
8-M	Heat Transfer Lower Seal Gasket	014682F	014682F	014682F	014682F
9-M	Air filter	014492F	014492F	014492F	014492F
10-M	Touch-up Paint Green	750125	750125	750125	750125
	Cool Dark Gray	750256	750256	750256	750256
11-M	Wire Harness (Not Shown)	014493F	014493F	014493F	014493F
12-M	LCD Display Wire Harness (Not Shown)	014554F	014554F	014554F	014554F
13-M	LED Status Lights Wire Harness (Not Shown)	014555F	014555F	014555F	014555F
17-M	Versa IC Communication Cable	015556F	015556F	015556F	015556F
14-M	Plastic Handle	012681F	012681F	012681F	012681F
15-M	Metal Handle	014650F	014650F	014650F	014650F
16-M	Shutter Seal Grommet	014494F	014494F	014494F	014494F
O	OPTIONS				
1-O	Remote Sensor (LWCO)	007228F	007228F	007228F	007228F
2-O	Control PC Board (LWCO)	007157F	007157F	007157F	007157F
3-O	Test / Reset Switch (LWCO)	005641F	005641F	005641F	005641F
4-O	Silencer/Reset Switch (Alarm)	005641F	005641F	005641F	005641F
6-O	Alarm Bell 4" 24V	005643F	005643F	005643F	005643F
7-O	Relay 3PDT 24 VAC (Alarm)	014717F	014717F	014717F	014717F
P	PUMPS*				
1-P	Stainless Steel (Soft Water)	015660F	015661F	015662F	015663F
	Stainless Steel (Medium Water)	015661F	015663F	015664F	015664F
	Stainless Steel (Hard Water)	015663F	015663F	015664F	015664F
	Cast Iron	015666F	015667F	015668F	015669F
2-P	Pump Flange Gasket (4 Bolt)	015544F	015544F	015544F	015544F
R	REFRACTORY				
1-R	Combustion Chamber Top	014495F	014495F	014495F	014495F
2-R	Combustion Chamber Bottom	014496F	014496F	014496F	014496F

* For individual pump parts see separate pump parts IPL 9300.100

CALL OUT	DESCRIPTION	2503	3003	3503	4003
S	SHEETMETAL				
1-S	Jacket Top	014497F	014497F	014497F	014497F
2-S	Flue Collector Front (Includes 5-M)	014498F	014499F	014500F	014501F
3-S	Flue Collector Rear (Includes 5-M)				
	Units manufactured prior to 12/1/14	014502F	014503F	014504F	014505F
	Units manufactured From to 12/1/14	015534F	015535F	015536F	015537F
4-S	Flue Collector Side (Includes 5-M)	014506F	014507F	014508F	014509F
6-S	Combustion Chamber Panel Top	014510F	014510F	014510F	014510F
7-S	Combustion Chamber Panel Bottom	014511F	014511F	014511F	014511F
8-S	Combustion Chamber Bottom Stiffener	014697F	014697F	014697F	014697F
9-S	Heat Transfer Support				
	Units manufactured prior to 12/1/14	014512F	014512F	014512F	014512F
	Units manufactured From to 12/1/14	015533F	015533F	015533F	015533F
10-S	Upper Cabinet Supports Front	014515F	014515F	014515F	014515F
11-S	Upper Cabinet Supports Rear	014516F	014516F	014516F	014516F
12-S	Upper Cabinet Supports Side	014517F	014517F	014517F	014517F
13-S	Gas Train Support	014518F	014518F	014518F	014518F
14-S	Vertical Cabinet Supports with Stiffeners	014541F	014542F	014543F	014544F
15-S	Upper Front Panel for LED Lights	014520F	014520F	014520F	014520F
16-S	Jacket Upper Front Panel for LCD Display	014521F	014521F	014521F	014521F
36-S	Jacket Upper Front Panel for LCD Display	015042F	015042F	015042F	015042F
38-S	Jacket Upper Front Panel for Touchscreen	015877F	015877F	015877F	015877F
17-S	Jacket Lower Front Panel (includes 15-M)	014522F	014523F	014524F	014525F
18-S	Jacket Upper Side Panel	014526F	014526F	014526F	014526F
19-S	Jacket Lower Side Panel	014527F	014528F	014529F	014530F
20-S	Jacket Upper Rear Panel	014531F	014531F	014531F	014531F
21-S	Jacket Lower Rear Panel	014532F	014533F	014534F	014535F
22-S	Filter Mounting Retainers & Bracket	014536F	014536F	014536F	014536F
23-S	Base Assembly	014537F	014537F	014537F	014537F
24-S	Leg Bracket (4 pcs) (8 per Unit)	007306F	007306F	007306F	007306F
25-S	Flue Exhaust Adapter Assembly	014539F	014539F	014540F	014540F
26-S	Control Box Assy	014545F	014545F	014545F	014545F
27-S	Control Box Cover Panel for LCD Digital Display	014546F	014546F	014546F	014546F
35-S	Control Box Cover Panel without LCD Digital Display	015041F	015041F	015041F	015041F
37-S	Control Box Cover Panel for Touchscreen Display	015876F	015876F	015876F	015876F
28-S	Control Box Cover Panel for Power Switch	014547F	014547F	014547F	014547F
29-S	Intake Air Plenum	014548F	014548F	014548F	014548F
30-S	Intake Air Hood	015706F	015706F	015706F	015706F
31-S	Intake Air Box (Truseal)	015707F	015707F	015708F	015708F
32-S	Access Panel Water Connections	014550F	014550F	014550F	014550F
33-S	Access Panel Wiring Box	014551F	014551F	014551F	014551F
34-S	Wiring Panel Low Voltage	014519F	014519F	014519F	014519F
V	VENTING				
1-V	Outdoor Stack	014552F	014552F	014553F	014553F
2-V	Vent Cap Horizontal Thru-the-Wall for Indoor Units	006650	006650	007989	007989



www.raypak.com