

**COMMERCIAL/POOL
MODELS: MVB 504A THRU 2004A**

CATALOG NO. 9300.745
Effective: 12-01-17
Replaces: 03-15-17

RAYPAK ILLUSTRATED PARTS LIST

MODEL SIZES: 504A, 754A, 1104A, 1504A & 2004A

MODEL TYPES: MODULATING VERTICAL BOILER H, WH & P CAT I

DATES OF MANUFACTURE: 3-01-13 THROUGH CURRENT - H & WH MODELS
10-01-14 THROUGH CURRENT - P MODEL

THE PARTS LISTED ARE FOR STANDARD EQUIPMENT FOR THIS MODEL TYPE. RAYPAK RESERVES THE RIGHT TO SUBSTITUTE, DELETE OR CHANGE ANY PART WITHOUT NOTIFICATION. THE ADDITION OF OPTIONS MAY ALSO CHANGE SOME OF THE PARTS. ORDER REPLACEMENT PARTS FROM ACTUAL HEATER COMPONENTS.

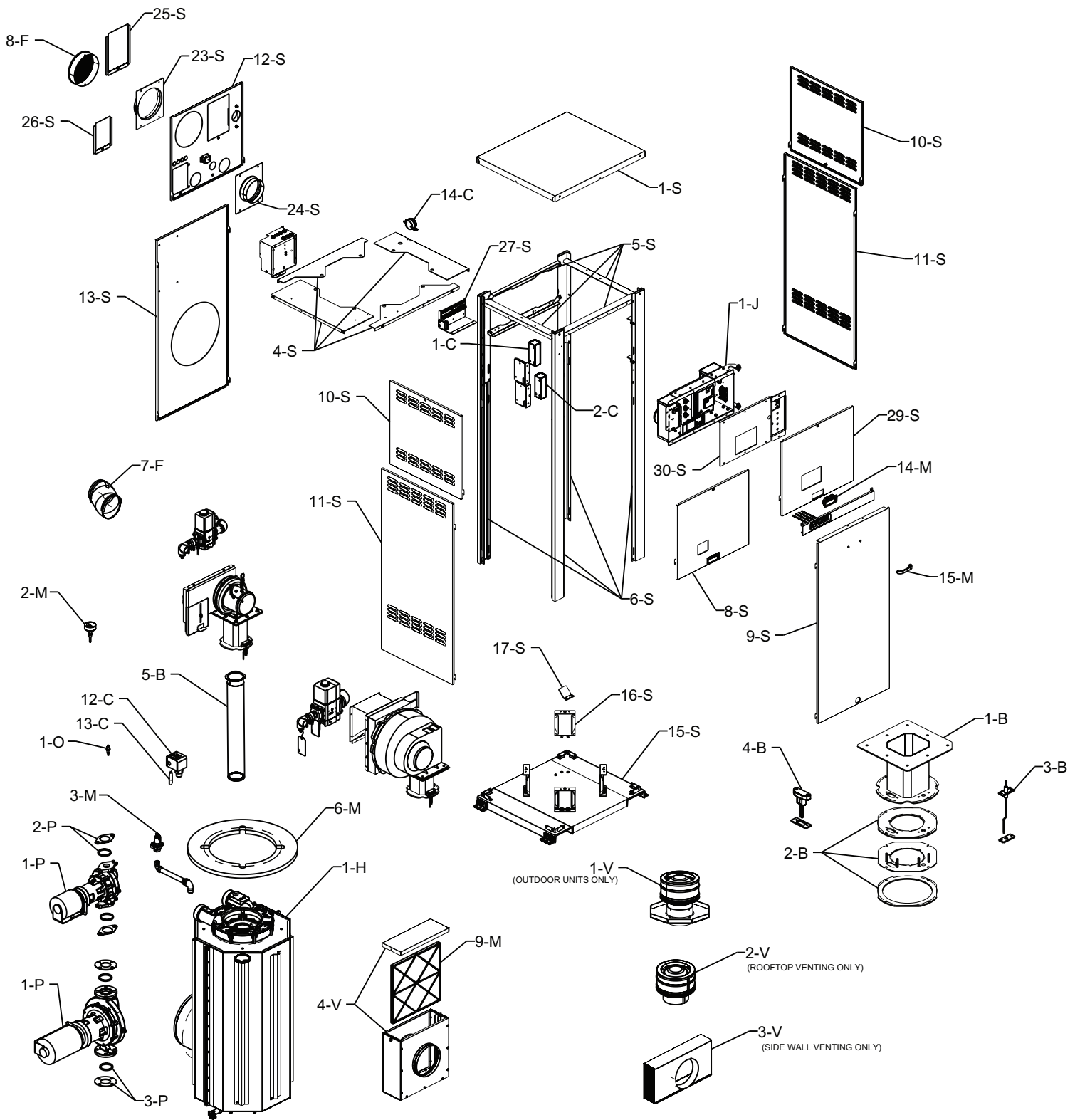


FOR DETAILED INSTRUCTIONS, SEE "HOW TO USE YOUR RAYPAK ILLUSTRATED PARTS LIST",
CATALOG NO. 9001.10

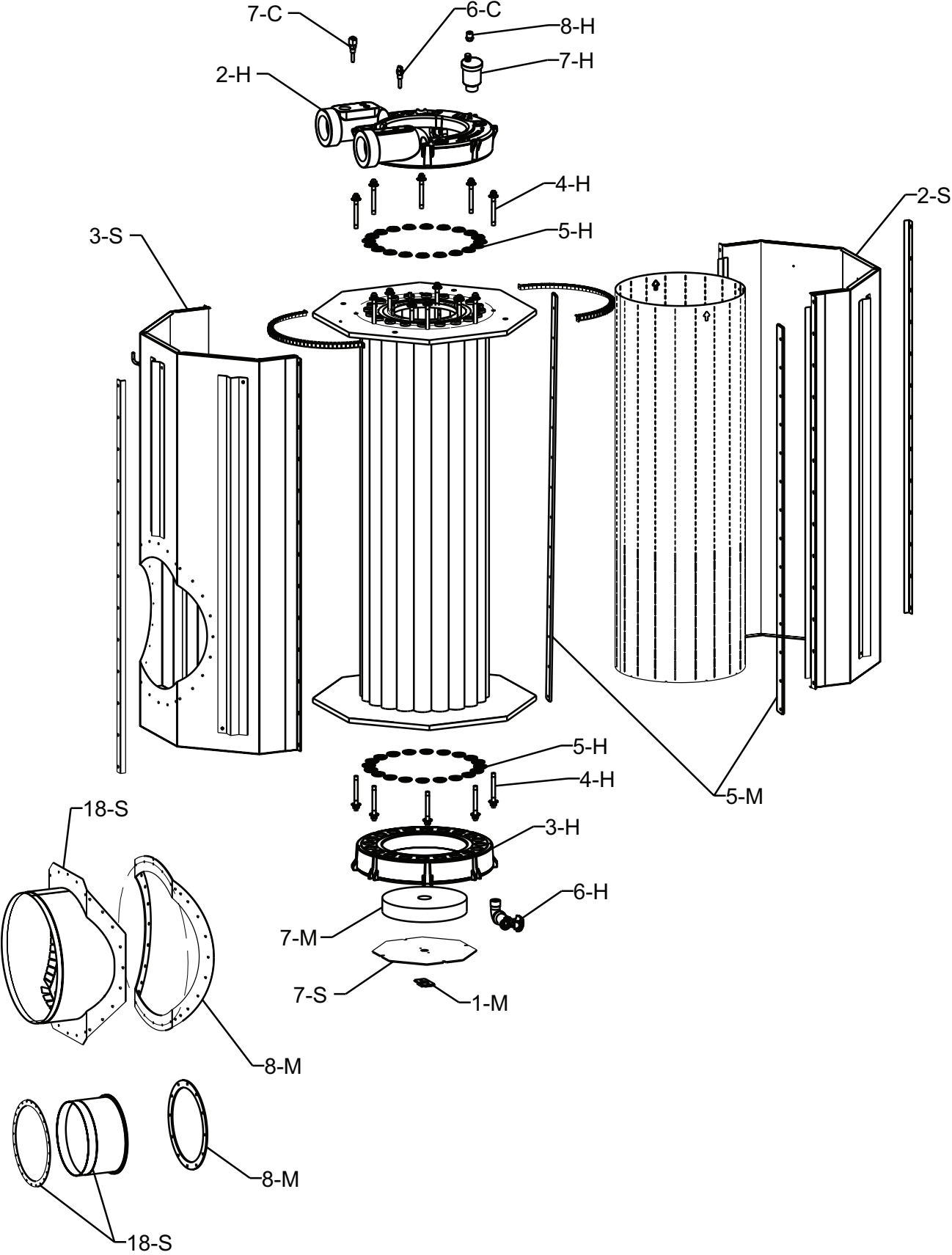


Raypak, Inc., 2151 Eastman Avenue, Oxnard, CA 93030
(805) 278-5300 FAX (805) 278-5489
Litho In U.S.A.

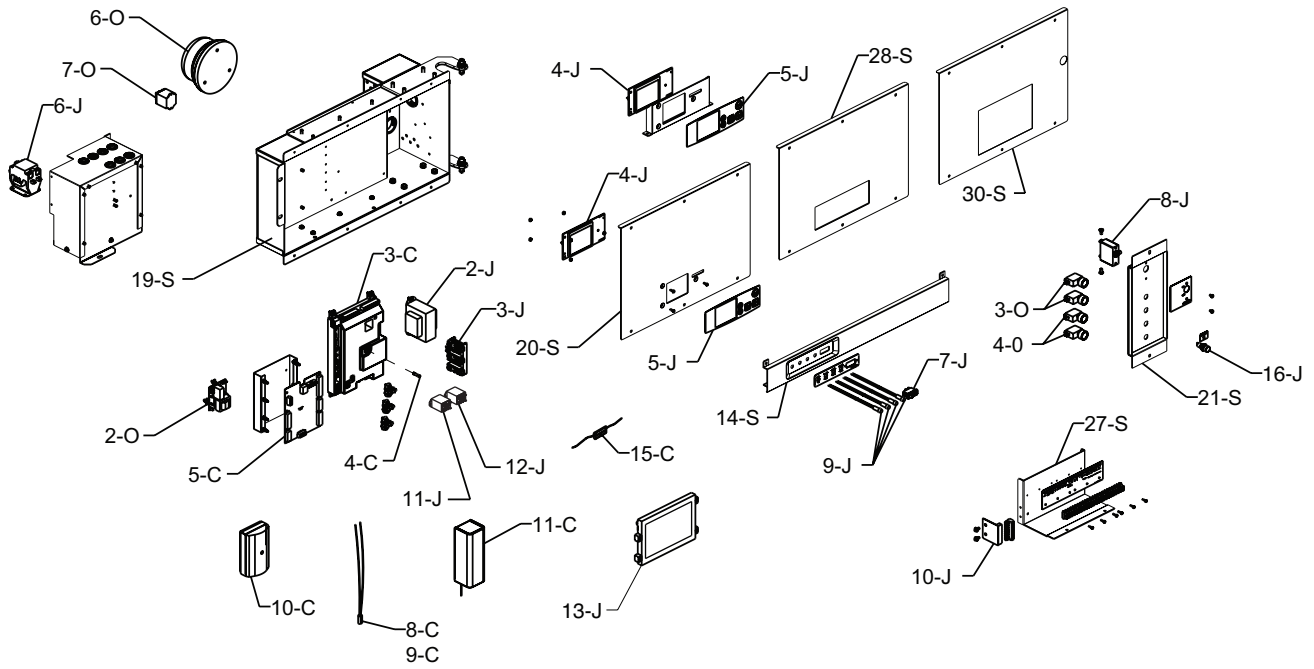
P/N 241503



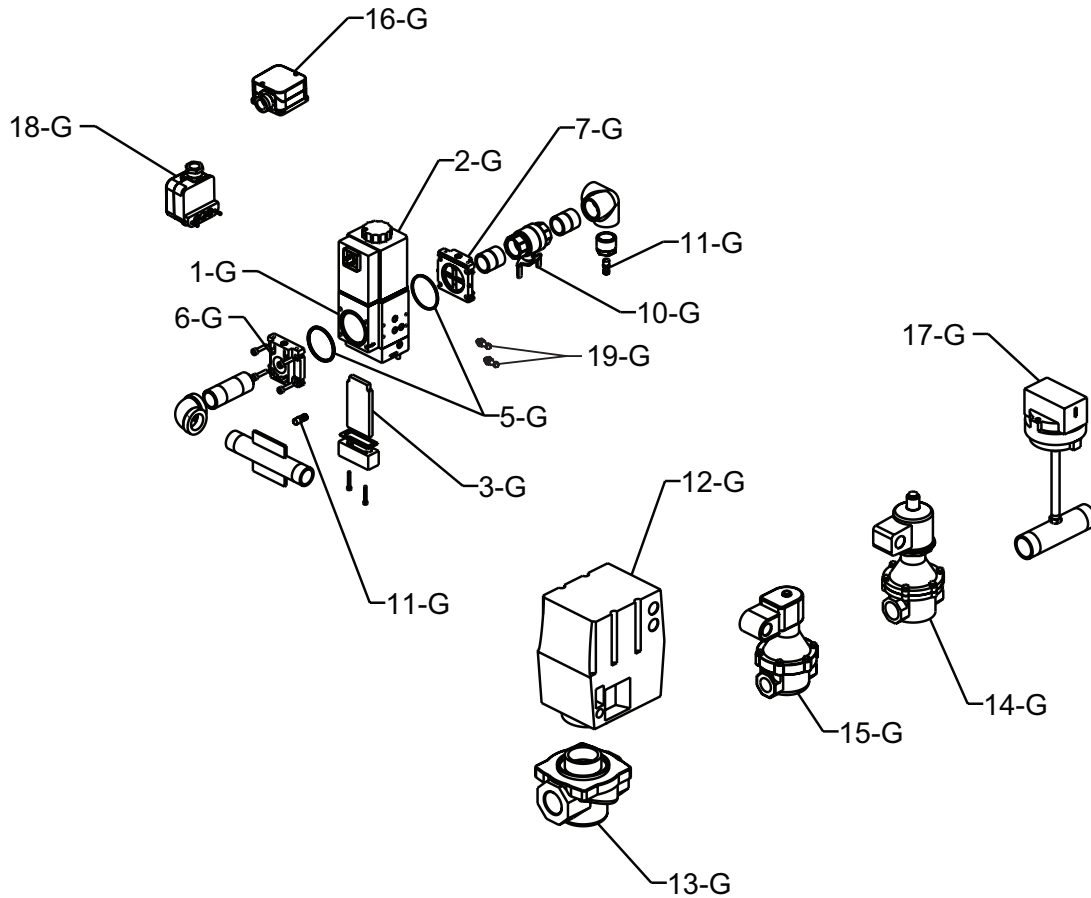
HEAT EXCHANGER DETAIL



ELECTRICAL COMPONENT DETAILS

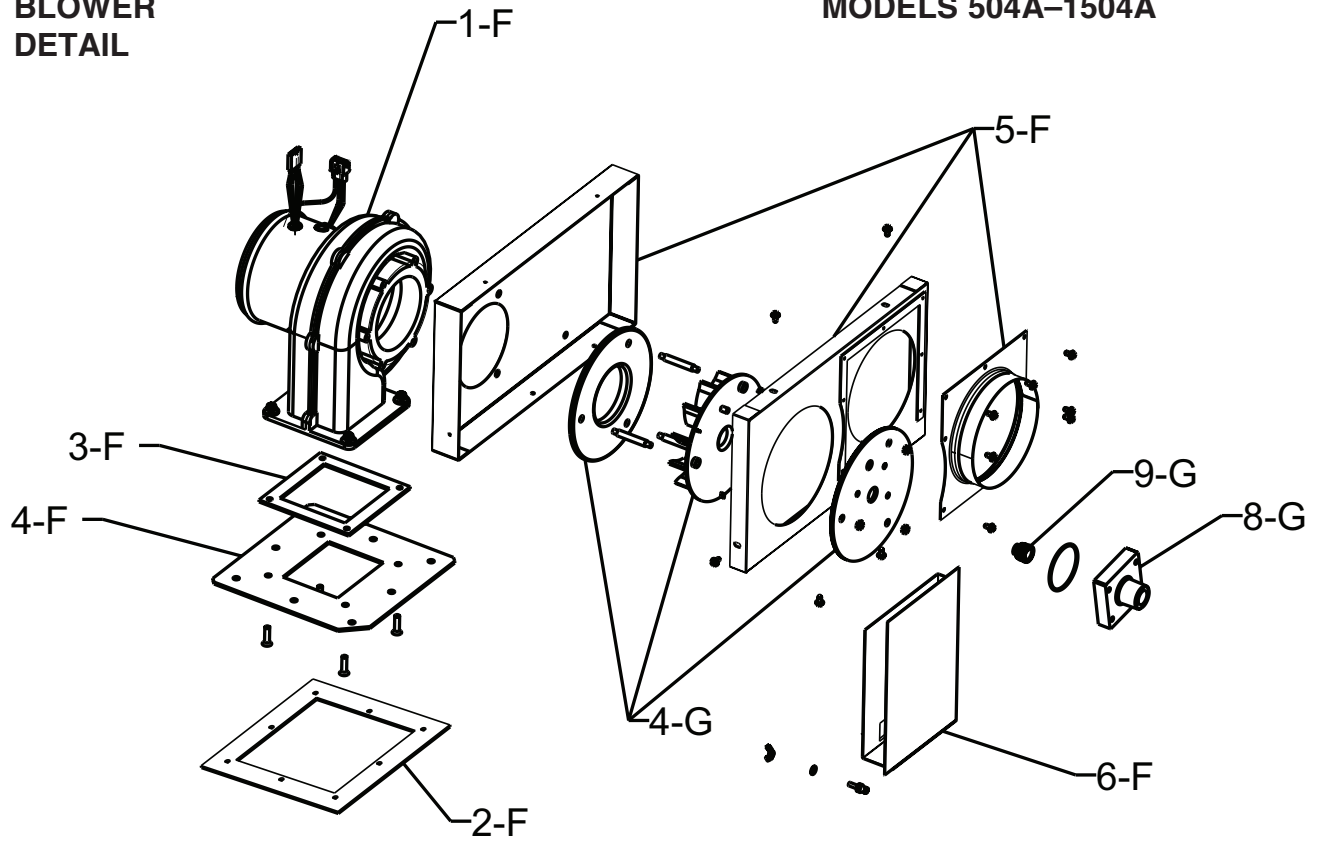


GAS TRAIN DETAIL

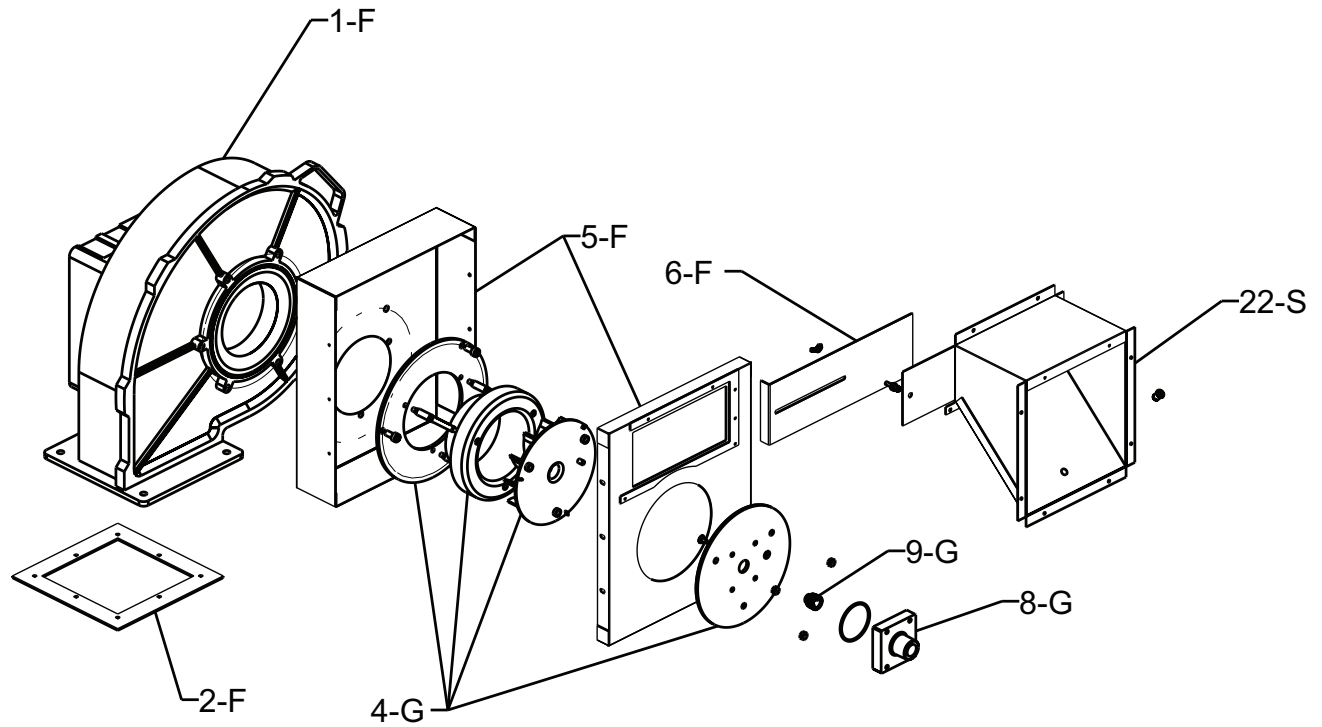


**BLOWER
DETAIL**

MODELS 504A-1504A



MODEL 2004A



CALL OUT	DESCRIPTION	504A	754A	1104A	1504A	2004A
B BURNER ASSEMBLY						
1-B	Adapter Assembly	011749F	011749F	011749F	011749F	011750F
2-B	Adapter Gaskets and Heat Shield	011751F	011751F	011751F	011751F	011751F
3-B	Flame Sensor Probe	011752F	011752F	011752F	011752F	011752F
4-B	Igniter	007400F	007400F	007400F	007400F	007400F
5-B	Burner	011753F	011754F	011754F	011755F	011756F
C CONTROLS						
1-C	Auto Reset Adjustable High Limit 240F Max	007141F	007141F	007141F	007141F	007141F
	Auto Reset Adjustable High Limit 200F Max	012546F	012546F	012546F	012546F	012546F
	Auto Reset Adjustable High Limit 180F Max	006445F	006445F	006445F	006445F	006445F
2-C	Manual Reset Adjustable High Limit 240F	007144F	007144F	007144F	007144F	007144F
	Manual Reset Adjustable High Limit 200F	008081F	008081F	008081F	008081F	008081F
	Manual Reset Adjustable High Limit 180F	009554F	009554F	009554F	009554F	009554F
3-C	PIIM (Platform Ignition Module) Multi Try	014324F	014324F	014324F	014324F	014324F
	PIIM (Platform Ignition Module) Single Try CSD-1	014325F	014325F	014325F	014325F	014325F
4-C	Fuse 5 Amp (Fast Acting)	013971F	013971F	013971F	013971F	013971F
5-C	PC Board VERSA IC	013935F	013935F	013935F	013935F	013935F
6-C	Inlet Sensor (2 Wire)	013175F	013175F	013175F	013175F	013175F
7-C	Outlet/Limit Sensor (4 Wire)	013932F	013932F	013932F	013932F	013932F
8-C	System Water Sensor 10K	010787F	010787F	010787F	010787F	010787F
9-C	Indirect DHW Sensor 10K	010787F	010787F	010787F	010787F	010787F
10-C	Sensor Outdoor Air B-32	010786F	010786F	010786F	010786F	010786F
11-C	Indirect Tank Aquastat Control B-65	007148F	007148F	007148F	007148F	007148F
12-C	Flow Switch	007142F	007142F	007142F	007142F	007142F
13-C	Flow Switch Paddle (Taco)	010026F	010026F	010026F	010026F	010026F
14-C	Vent Pressure Switch	011862F	011862F	011862F	011760F	011760F
15-C	Fuse 5 Amp (Pump) (Slow Blow)	013972F	013972F	013972F	013972F	013972F
J CONTROL BOX						
1-J	Control Box Complete	N/A	N/A	N/A	N/A	N/A
2-J	Transformer 120/24 100 VA	007494F	007494F	007494F	007494F	007494F
3-J	Terminal Block w/ Ground Lug	008523F	008523F	008523F	008523F	008523F
4-J	LCD Display PC Board	013939F	013939F	013939F	013939F	013939F
13-J	Touchscreen Display	015878F	015878F	015878F	015878F	015878F
14-J	SD Card Programmed (Not Shown)	015887F	015887F	015887F	015887F	015887F
15-J	Lithium Battery 3V (Not Shown)	015888F	015888F	015888F	015888F	015888F
5-J	Switch/Decal Membrane	013937F	013937F	013937F	013937F	013937F
11-J	Relay DPDT 24V NO	011720F	011720F	011720F	011720F	011720F
12-J	Relay DPDT 120V NO/NC	013243F	013243F	013243F	013243F	013243F
6-J	Pump Contactor 120 VAC (Wiring Box)	007906F	007906F	007906F	007906F	007906F
7-J	Rocker Switch	009493F	009493F	009493F	009493F	009493F
8-J	On / Off Shut Down Switch 30 Amp	007380F	007380F	007380F	007380F	007380F
9-J	Indicator Lamp LED	011848F	011848F	011848F	011848F	011848F
10-J	PC Board Adapter Status Lights Wiring	014712F	014712F	014712F	014712F	014712F
16-J	Reset Switch for Touchscreen	015879F	015879F	015879F	015879F	015879F
F FAN						
1-F	Blower Combustion Air	014556F	014556F	014556F	014556F	011765F
2-F	Blower Gasket	011885F	011885F	011885F	011885F	011885F
3-F	Adapter Gasket	011886F	011886F	011886F	011886F	N/A
4-F	Adapter Plate	011887F	011887F	011887F	011887F	N/A
5-F	Plenum Assembly	011863F	011863F	011863F	011863F	011864F
6-F	Air Shutter	011875F	011875F	011875F	011875F	011876F
7-F	Hose Duct 6"	007420F	007420F	007420F	007420F	N/A
8-F	Screen Intake Vent Cap	007162F	007162F	007162F	011865F	011865F
G GAS TRAIN						
1-G	Valve Gas Modulating 120V (Dungs) Natural Gas	013200F	013200F	013200F	013200F	014415F
	Valve Gas Modulating 120V (Dungs) Propane Gas	013200F	013200F	013200F	013200F	013200F
2-G	Valve Coil 120V Nat	013201F	013201F	013201F	013201F	014693F
	Valve Coil 120V Pro	013201F	013201F	013201F	013201F	013201F
3-G	Inlet Gas Filter Natural Gas	012294F	012294F	012294F	012294F	012295F
	Inlet Gas Filter Propane Gas	012294F	012294F	012294F	012294F	012294F
4-G	Swirler	011888F	011888F	011888F	011888F	011889F
5-G	O Rings (Includes Gas Valve and Adapter O Rings)	012440F	012440F	012440F	012440F	012440F
6-G	Adapter Gas Valve 1" Inlet (Includes O Rings)	011915F	011915F	011915F	011915F	011915F
	Adapter Gas Valve 1-1/4" Inlet (Includes O Rings)			011916F	011916F	
	Adapter Gas Valve 2" Inlet (Includes O Rings)					011917F
7-G	Adapter Gas Valve Outlet w/Shutter (Includes O Ring) Natural	013206F	013206F	013206F	013206F	014557F
	Adapter Gas Valve Outlet w/Shutter (Includes O Ring) Propane	013206F	013206F	013206F	013206F	013206F
8-G	Adapter Swirl Plate	012298F	012298F	012298F	012298F	012298F
9-G	Nozzle Natural Gas	012304F	012304F	012304F	014467F	014467F
	Nozzle Propane Gas	012304F	012304F	012304F	012304F	012304F
10-G	Valve Gas Ball (WOG)	011769F	011769F	011769F	011769F	011769F
11-G	Bleedle Valve 1/8 MPT	007423F	007423F	007423F	007423F	007423F
19-G	Bleedle Valve G1/8 BSP	015400F	015400F	015400F	015400F	015400F
12-G	Motorized Safety Shut Off Valve M-1(Optional)	011908F	011908F	011908F	011908F	011908F
13-G	Gas Valve Body M1 Nat (Optional)	014014F	014014F	014015F	014015F	014558F
	Gas Valve Body M1 Pro (Optional)	014014F	014014F	014014F	014014F	014014F
14-G	Solenoid Safety Shut Off Valve M-10 Nat (Optional)	011909F	011909F	011910F	011910F	011911F
	Solenoid Safety Shut Off Valve M-10 Pro (Optional)	011909F	011909F	011909F	011909F	011909F
15-G	Vent Valve Gas M-15 Nat (Optional)	011913F	011913F	011914F	011914F	011914F
	Vent Valve Gas M-15 Pro (Optional)	011913F	011913F	011913F	011913F	011913F
16-G	Switch Low Gas Pressure (Optional)	011770F	011770F	011770F	011770F	011770F
17-G	Switch Low Gas Pressure w/M-1 or M-10 (Optional)	007187F	007187F	007187F	007187F	007187F
18-G	Switch High Gas Pressure (Optional)	011771F	011771F	011771F	011771F	011771F

CALL OUT	DESCRIPTION	504A	754A	1104A	1504A	2004A
H	HEAT EXCHANGER					
1-H	Heat Transfer Cupro-Nickel Bronze (Includes 16-S)	014627F	014628F	014629F	014630F	014631F
	Heat Transfer Cupro-Nickel Cast Iron (Includes 16-S)	014632F	014633F	014634F	014635F	014636F
	Heat Transfer Copper Bronze (Includes 16-S)	014637F	014638F	014639F	014640F	014641F
	Heat Transfer Copper Cast Iron (Includes 16-S)	014642F	014643F	014644F	014645F	014646F
2-H	Inlet/Outlet Header Bronze	014587F	014587F	014619F	014619F	014619F
	Inlet/Outlet Header Cast Iron	014588F	014588F	014620F	014620F	014620F
3-H	Return Header Bronze	007204F	007204F	007204F	007204F	007204F
	Return Header Cast Iron	012330F	012330F	012330F	012330F	012330F
4-H	Stud Bolt	009104F	009104F	009104F	009104F	009104F
5-H	Header Gasket (20 PCS)	007343F	007343F	007343F	007343F	007343F
6-H	Drain Valve	006536F	006536F	006536F	006536F	006536F
7-H	Air Vent Valve	011866F	011866F	011866F	011866F	011866F
8-H	Air Vent Waste Connector Adapter	013071F	013071F	013071F	013071F	013071F
M	MISCELLANEOUS COMPONENTS					
1-M	Window Combustion Chamber	006947F	006947F	006947F	006947F	006947F
2-M	T & P Gauge 0-75 PSI	007205F	007205F	007205F	007205F	007205F
	T & P Gauge 0-200 PSI	007399F	007399F	007399F	007399F	007399F
	T & P Gauge 0-230 PSI	014221F	014221F	014221F	014221F	014221F
3-M	PRV 30 PSI	007217F	007218F	007219F	007219F	007748F
	PRV 45 PSI	007220F	007346F	007221F	007221F	007751F
	PRV 60 PSI	007222F	007222F	007222F	007753F	007754F
	PRV 75 PSI	007223F	007223F	007223F	007223F	007756F
	PRV 125 PSI	011912F	011912F	007224F	007224F	007758F
	PRV 150 PSI	007225F	007225F	007225F	007225F	007225F
4-M	RTV Sealant 2.8 oz. (Not Shown)	008924F	008924F	008924F	008924F	008924F
	RTV Sealant 10 oz. (Not Shown)	005755F	005755F	005755F	005755F	005755F
5-M	Flue Collector Vertical Seal Gasket	011772F	011772F	011772F	011772F	011772F
6-M	Heat Transfer Insulation Blanket	011896F	011896F	011896F	011896F	011896F
7-M	Insulation Blanket Return Header	007241F	007241F	007241F	007241F	007241F
8-M	Flue Exhaust Adapter Gasket	009736F	012264F	012264F	012264F	012266F
9-M	Inline Intake Air Filter Premium Pleated	012553F	012553F	012553F	012552F	012552F
10-M	Touch-up Paint					
	Green	750125	750125	750125	750125	750125
	Cool Dark Gray	750256	750256	750256	750256	750256
11-M	Wire Harness	014624F	014624F	014624F	014624F	014624F
12-M	LCD Display Wire Harness	014554F	014554F	014554F	014554F	014554F
13-M	LED Status Lights Wire Harness	014555F	014555F	014555F	014555F	014555F
16-M	Versa IC Communication Cable	015556F	015556F	015556F	015556F	015556F
14-M	Plastic Handle	012681F	012681F	012681F	012681F	012681F
15-M	Metal Handle	014650F	014650F	014650F	014650F	014650F
	OPTIONS					
1-O	Remote Sensor (LWCO)	007228F	007228F	007228F	007228F	007228F
2-O	Control PC Board (LWCO)	007157F	007157F	007157F	007157F	007157F
3-O	Test / Reset Switch (LWCO)	005641F	005641F	005641F	005641F	005641F
4-O	Silencer/Reset Switch (Alarm)	005641F	005641F	005641F	005641F	005641F
6-O	Alarm Bell 4" 24V	005643F	005643F	013242F	013242F	013242F
7-O	Relay 3PDT 24 VAC (Alarm)	014717F	014717F	014717F	014717F	014717F
P	PUMPS*					
1-P	Pump -Circulating - Bronze (Soft Water)	007226F	007226F	007227F	011845F	007351F
	Pump -Circulating - Bronze (Medium Water)	007226F	007347F	011845F	007351F	007937F
	Pump -Circulating - Bronze (Hard Water)	007349F	007349F	007351F	007351F	007937F
	Pump -Circulating - CI (Soft Water)	007232F	007232F	007233F	011846F	007357F
	Pump -Circulating - CI (Medium Water)	007232F	007353F	011846F	007357F	007938F
	Pump -Circulating - CI (Hard Water)	007355F	007355F	007357F	007357F	007938F
2-P	Pump Flange Gasket (2 Bolt)	013423F	013423F	013423F	013423F	013423F
3-P	Pump Flange Gasket (4 Bolt)					014000F
S	SHEETMETAL					
1-S	Jacket Top	014589F	014589F	014589F	014589F	014589F
2-S	Flue Collector Front (No Opening) (Includes 5-M)	012267F	012268F	012269F	012270F	012271F
3-S	Flue Collector Rear (Opening) (Includes 5-M and 8-M)	012272F	012273F	012274F	012275F	012276F
4-S	Heat Transfer Supports	014590F	014590F	014590F	014590F	014590F
5-S	Upper Cabinet Supports	014651F	014651F	014651F	014651F	014651F
6-S	Vertical Cabinet Supports with Stiffeners	014591F	014592F	014593F	014594F	014596F
7-S	Return Header Cover	007257F	007257F	007257F	007257F	007257F
8-S	Jacket Upper Front Panel w/LCD Display	014598F	014598F	014598F	014598F	014599F
29-S	Jacket Upper Front Panel for Touchscreen	016197F	016197F	016197F	016197F	016198F
9-S	Jacket Lower Front Panel	014600F	014601F	014602F	014603F	014605F
10-S	Jacket Upper Side Panel	014607F	014607F	014607F	014607F	014608F
11-S	Jacket Lower Side Panel	011819F	011820F	011821F	011822F	011824F
12-S	Jacket Upper Rear Panel	014609F	014609F	014610F	014611F	014612F
13-S	Jacket Lower Rear Panel	012277F	012278F	012279F	012280F	012281F
14-S	Upper Front Panel w/LED Lights	014613F	014613F	014613F	014613F	014613F
15-S	Base Assembly	009129F	009129F	009129F	009129F	009129F
16-S	Leg Bracket (4 pcs per boiler)	007306F	007306F	007306F	007306F	007306F
17-S	Base Reflector Panel	007307F	007307F	007307F	007307F	007307F
18-S	Flue Exhaust Adapter Assembly	011901F	012282F	012282F	012283F	012284F
19-S	Control Box Assy	014614F	014614F	014614F	014614F	014614F
20-S	Control Box Cover Panel for Digital Display	014615F	014615F	014615F	014615F	014615F
28-S	Control Box Cover Panel without Digital Display	014698F	014698F	014698F	014698F	014698F
30-S	Control Box Cover panel for Touchscreen Display	016201F	016201F	016201F	016201F	016201F
21-S	Control Box Cover Panel with Power Switch	014616F	014616F	014616F	014616F	014616F
22-S	Intake Air Adapter	N/A	N/A	N/A	N/A	011881F
23-S	Intake Air Collar (Outside)	011898F	011898F	011898F	011899F	011882F
24-S	Intake Air Collar (Inside)	011905F	011905F	011905F	011905F	N/A
25-S	Access Panel	014617F	014617F	014617F	014617F	014618F
26-S	Access Panel Wiring Box	011906F	011906F	011906F	011906F	011906F
27-S	Wiring Panel 24V	014519F	014519F	014519F	014519F	014519F
V	VENTING					
1-V	Outdoor Stack	014623F	014552F	014552F	014553F	014649F
2-V	Vent Cap Vertical for Indoor Units	010803	010804	010804	010805	010806
3-V	Vent Cap Horizontal Thru-the-Wall for Indoor Units	006646	006650	006650	007001	007002
4-V	Inline Air filter Premium (Complete)	012460	012460	012460	012461	012461

* For individual pump parts see separate pump parts IPL 9300.100



www.raypak.com