

COMMERCIAL
MODELS: XTHERM 2505 THRU 4005

CATALOG NO. 9300.91
Effective: 08-15-17
Replaces: 09-01-16

RAYPAK ILLUSTRATED PARTS LIST

MODEL SIZES: 2505, 3005, 3505 & 4005

MODEL TYPES: MODULATING VERTICAL BOILER H, WH CAT IV, P

DATES OF MANUFACTURE: 11-01-14 THROUGH CURRENT H, WH
10-01-16 THROUGH CURRENT P

THE PARTS LISTED ARE FOR STANDARD EQUIPMENT FOR THIS MODEL TYPE. RAYPAK RESERVES THE RIGHT TO SUBSTITUTE, DELETE OR CHANGE ANY PART WITHOUT NOTIFICATION. THE ADDITION OF OPTIONS MAY ALSO CHANGE SOME OF THE PARTS. ORDER REPLACEMENT PARTS FROM ACTUAL HEATER COMPONENTS.

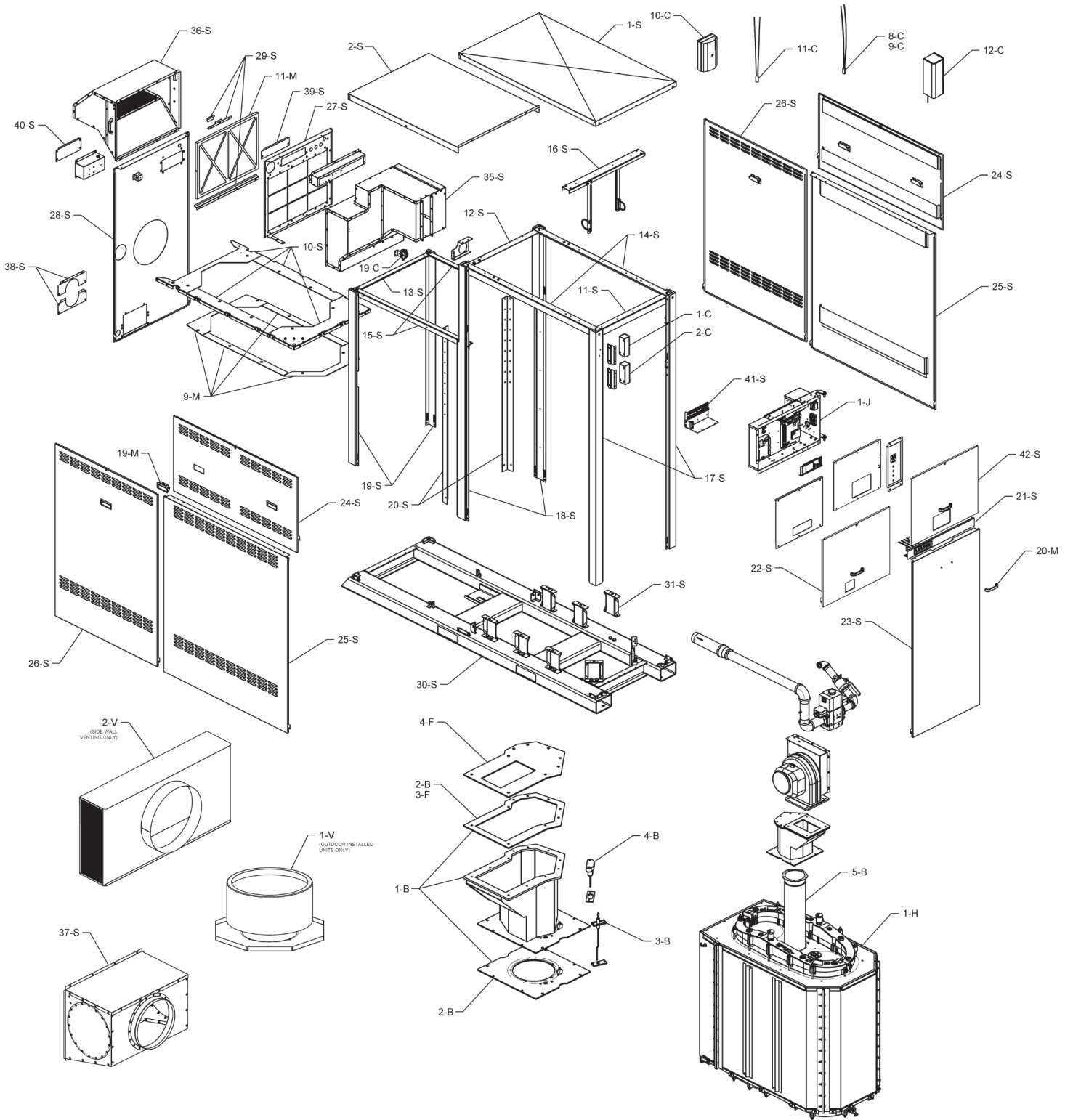


FOR DETAILED INSTRUCTIONS, SEE "HOW TO USE YOUR RAYPAK ILLUSTRATED PARTS LIST",
CATALOG NO. 9001.10

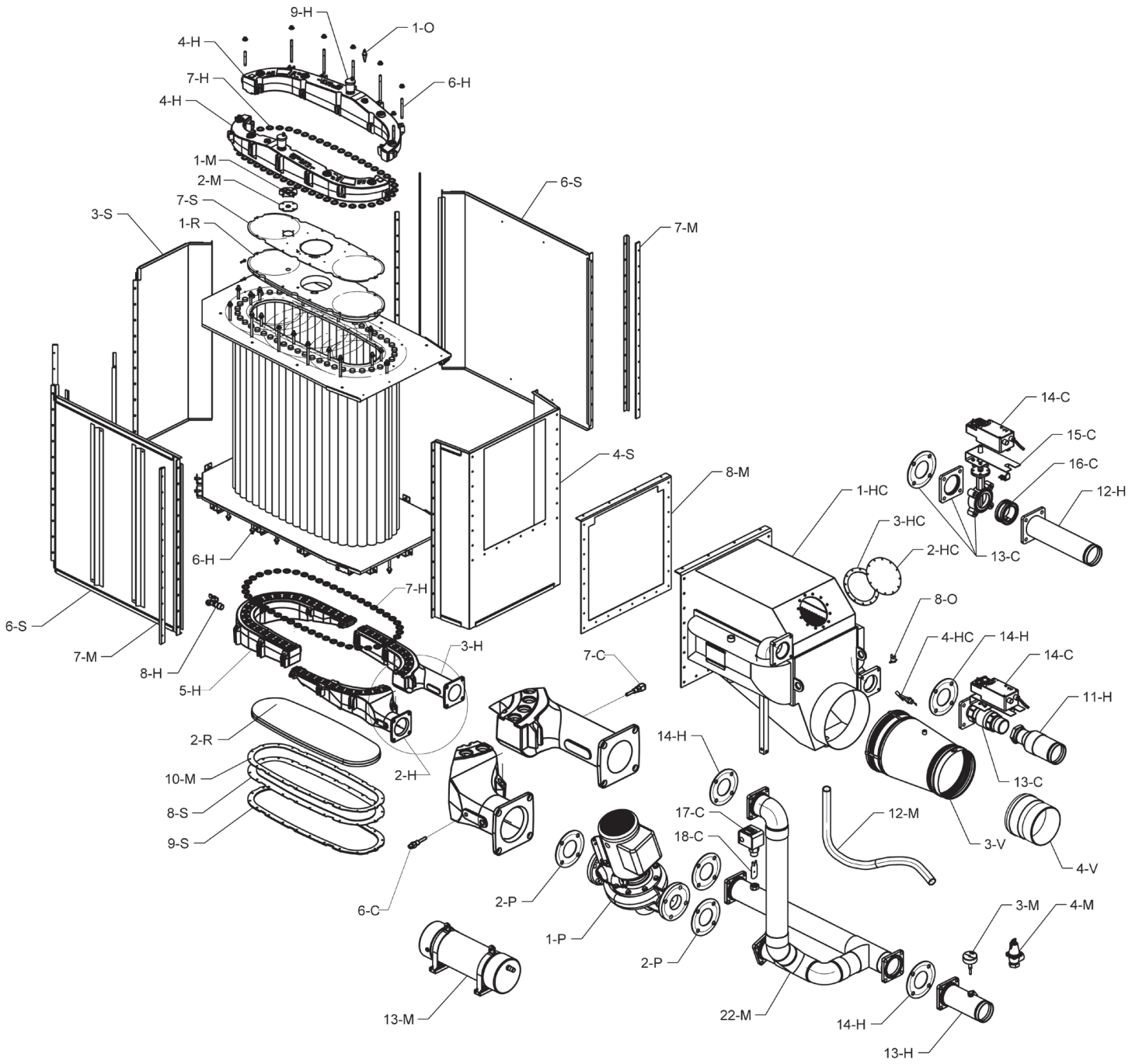


Raypak, Inc., 2151 Eastman Avenue, Oxnard, CA 93030
(805) 278-5300 FAX (805) 278-5489
Litho In U.S.A.

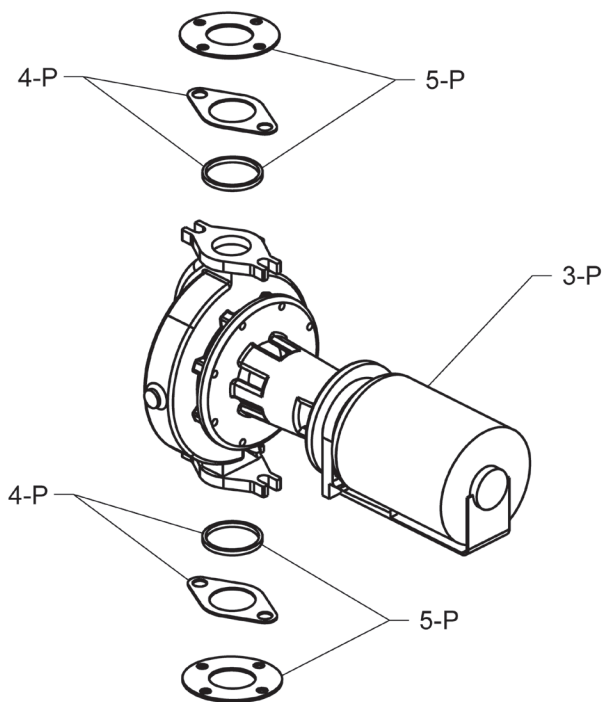
P/N 241550



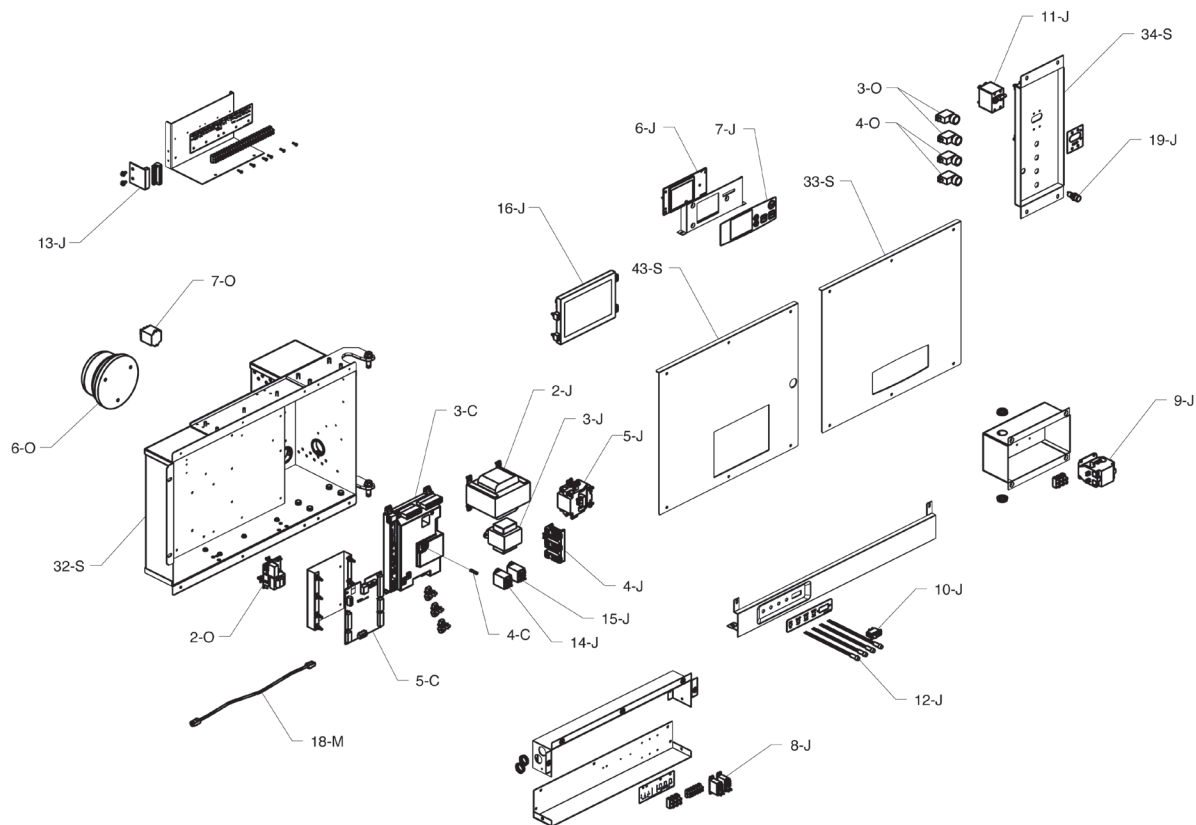
HEAT EXCHANGER W/ SECONDARY DETAIL



INJECTOR PUMP DETAIL

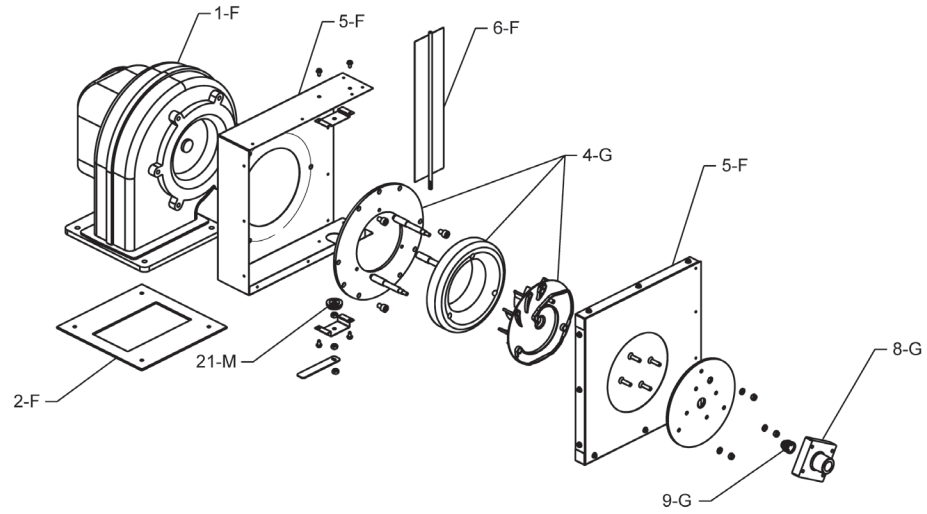


J-BOX & CONTROLS DETAIL

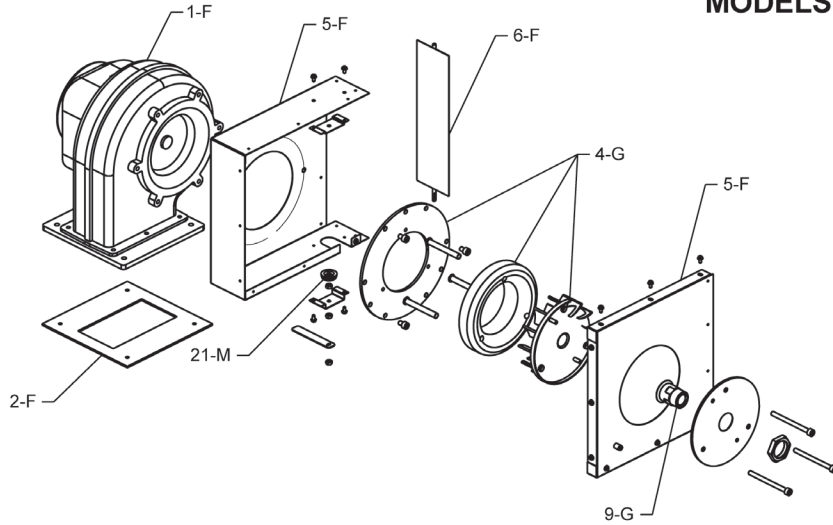


BLOWER DETAIL

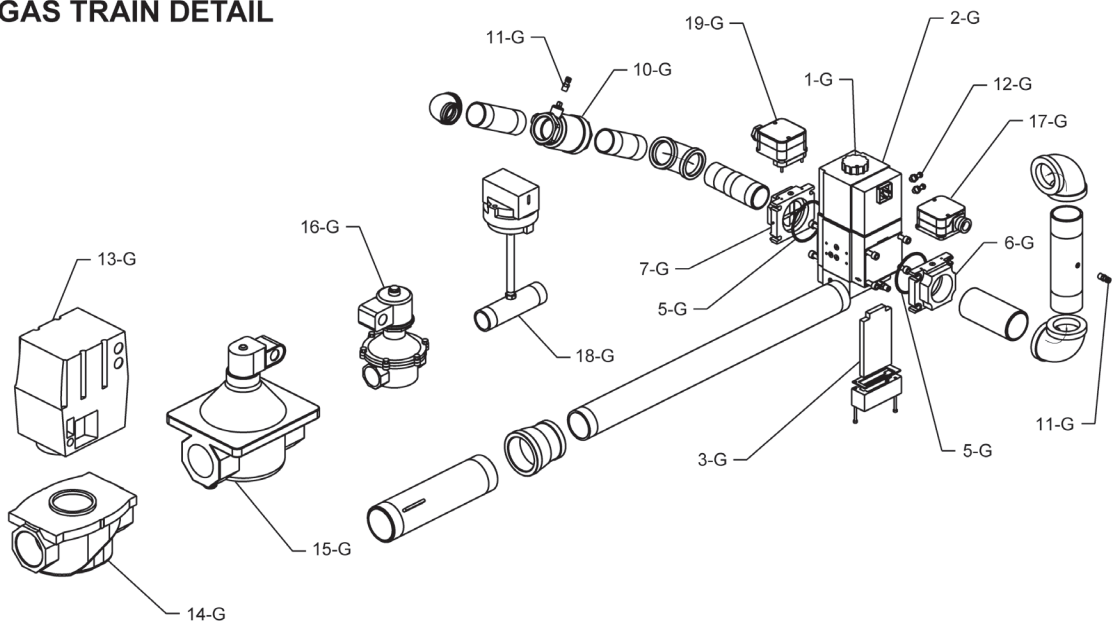
MODEL 2505



MODELS 3005-4005



GAS TRAIN DETAIL



CALL OUT	DESCRIPTION	2505	3005	3505	4005
B	BURNER ASSEMBLY				
1-B	Adapter Assembly	014397F	014397F	014397F	014397F
2-B	Adapter Gaskets	014398F	014398F	014398F	014398F
3-B	Flame Sensor Probe	011752F	011752F	011752F	011752F
4-B	Igniter	007400F	007400F	007400F	007400F
5-B	Burner	014399F	014400F	014401F	014402F
C	CONTROLS				
1-C	Auto Reset Adjustable High Limit 240F Max	007141F	007141F	007141F	007141F
	Auto Reset Adjustable High Limit 200F Max	012546F	012546F	012546F	012546F
	Auto Reset Adjustable High Limit 180F Max	006445F	006445F	006445F	006445F
2-C	Manual Reset Adjustable High Limit 240F	007144F	007144F	007144F	007144F
	Manual Reset Adjustable High Limit 200F	008081F	008081F	008081F	008081F
	Manual Reset Adjustable High Limit 180F	009554F	009554F	009554F	009554F
3-C	PIM (Platform Ignition Module) Multi Try	014324F	014324F	014324F	014324F
	PIM (Platform Ignition Module) Single Try CSD-1	014325F	014325F	014325F	014325F
4-C	Fuse 5 Amp (Fast Acting)	013971F	013971F	013971F	013971F
5-C	PC Board VERSA IC	013935F	013935F	013935F	013935F
6-C	Inlet Sensor (2 Wire)	013175F	013175F	013175F	013175F
7-C	Outlet/Limit Sensor (4 Wire)	013932F	013932F	013932F	013932F
8-C	System Water Sensor 10K	010787F	010787F	010787F	010787F
9-C	Indirect DHW Sensor 10K	010787F	010787F	010787F	010787F
10-C	Sensor Outdoor Air B-32	010786F	010786F	010786F	010786F
11-C	Sensor Water (Temp Tracker) B-36 thru B-38	012187F	012187F	012187F	012187F
12-C	Indirect Tank Aquastat Control B-65	007148F	007148F	007148F	007148F
13-C	2 Way Valve Assy				
	Brass Valve Body	015633F	015633F	015634F	015634F
	Stainless Steel Valve Body	015650F	015650F	015650F	015650F
14-C	Actuator 2 Way Valve	014046F	014046F	014046F	014046F
15-C	Mounting Bracket Kit	015551F	015551F	015551F	015551F
16-C	Gasket Stainless Steel Valve Assy	015552F	015552F	015552F	015552F
17-C	Flow Switch	007142F	007142F	007142F	007142F
18-C	Flow Switch Paddle (Taco)	010026F	010026F	010026F	010026F
19-C	Air Vent Pressure Switch	011760F	011760F	011760F	011760F
F	FAN				
1-F	Blower Combustion Air	014406F	014406F	014407F	014407F
2-F	Blower Gasket	014408F	014408F	014408F	014408F
3-F	Adapter Gasket	014409F	014409F	014409F	014409F
4-F	Adapter Plate	014410F	014410F	014410F	014410F
5-F	Plenum Assembly	015635F	015636F	015636F	015636F
6-F	Air Shutter	014413F	014414F	014414F	014414F
G	GAS TRAIN				
1-G	Valve Gas Modulating 120V (Dungs) Natural Gas	014415F	014416F	014416F	014417F
	Valve Gas Modulating (Dungs) Propane Gas	014415F	014415F	014415F	014415F
2-G	Valve Coil 120V Nat	014693F	014693F	014693F	014694F
	Valve Coil 120V Pro	014693F	014693F	014693F	014693F
3-G	Inlet Gas Filter Natural Gas	012295F	012295F	012295F	014696F
	Inlet Gas Filter Propane Gas	012295F	012295F	012295F	012295F
4-G	Swirler	014418F	014419F	014419F	015833F
5-G	O Rings (Includes Gas Valve and Adapter O Rings)	012440F	012440F	012440F	012440F
6-G	Adapter Gas Valve 2" Inlet (Includes O Rings)	011917F	011917F	011917F	011917F
7-G	Adapter Gas Valve Outlet w/Shutter (Includes O Ring)	014466F	014466F	014466F	014466F
8-G	Adapter Swirl Plate	012298F	N/A	N/A	N/A
9-G	Nozzle Natural Gas	014467F	014490F	014490F	014491F
	Nozzle Propane Gas	012304F	014490F	014490F	014491F
10-G	Valve Gas Ball (WOG)	014468F	014468F	014468F	014468F
11-G	Bleedle Valve 1/8 MPT	007423F	007423F	007423F	007423F
12-G	Bleedle Valve G-1/8	015400F	015400F	015400F	015400F
13-G	Motorized Safety Shut Off Valve M-1(Optional)	011908F	011908F	011908F	011908F
14-G	Gas Valve Body M1 (Optional)	014469F	014469F	014469F	014469F
15-G	Solenoid Safety Shut Off Valve M-10 (Optional)	014470F	014470F	014470F	014470F
16-G	Vent Valve Gas M-15 (Optional)	014471F	014471F	014471F	014471F
17-G	Switch Low Gas Pressure (Optional)	011770F	011770F	011770F	011770F
18-G	Switch Low Gas Pressure w/M-1 or M-10 (Optional)	007187F	007187F	007187F	007187F
19-G	Switch High Gas Pressure (Standard)	011771F	011771F	011771F	011771F

CALL OUT	DESCRIPTION	2505	3005	3505	4005
H	HEAT EXCHANGER				
1-H	Heat Transfer Cupro-Nickel Bronze	015641F	015642F	015643F	015644F
	Heat Transfer Copper Bronze	015637F	015638F	015639F	015640F
2-H	Inlet Header Bronze	014480F	014480F	014480F	014480F
3-H	Outlet Header Bronze	014481F	014481F	014481F	014481F
4-H	Return Header Bronze	014482F	014482F	014482F	014482F
5-H	Crossover Header Bronze	014483F	014483F	014483F	014483F
6-H	Stud Bolt				
	Inlet/Outlet/Crossover Headers	014513F	014513F	014513F	014513F
	Return Headers	014514F	014514F	014514F	014514F
7-H	Header Gasket (24 PCS)	007834F	007834F	007834F	007834F
8-H	Drain Valve	006536F	006536F	006536F	006536F
9-H	Air Vent Valve	011866F	011866F	011866F	011866F
11-H	Inlet Adapter Copper Grooved Tube H	015645F	015645F	015645F	015645F
12-H	Inlet Adapter Copper Grooved Tube H & WH	015721F	015721F	015721F	015721F
13-H	Outlet Adapter Copper Grooved Tube	015646F	015646F	015646F	015646F
14-H	Flange Gasket (4 Bolt)	015544F	015544F	015544F	015544F
HC	HEAT EXCHANGER (Condensing)				
1-HC	Heat Exch Stainless Steel (Includes 20-S)	015647F	015647F	015647F	015648F
2-HC	Inspection Port Access Panel	009799F	009799F	009799F	009799F
3-HC	Inspection Port Gasket	009735F	009735F	009735F	009735F
4-HC	Condensate Float Switch	015649F	015649F	015649F	015649F
J	CONTROL BOX				
1-J	Control Box Complete	N/A	N/A	N/A	N/A
2-J	Transformer 220/120V 300VA	014403F	014403F	014403F	014403F
3-J	Transformer 115/230V 43VA	014404F	014404F	014404F	014404F
4-J	Terminal Block w / Ground Lug	008523F	008523F	008523F	008523F
5-J	Blower Contactor DPST 24 VAC	009860F	009860F	009860F	009860F
6-J	LCD Display PC Board	013939F	013939F	013939F	013939F
16-J	Touchscreen Display	015878F	015878F	015878F	015878F
17-J	SD Card Programmed (Not Shown)	015887F	015887F	015887F	015887F
18-J	Lithium Battery 3V (Not Shown)	015888F	015888F	015888F	015888F
7-J	Switch/Decal Membrane	013937F	013937F	013937F	013937F
8-J	Pump Relay SPDT 120 VAC (Wiring Box)	012126F	012126F	012126F	012126F
9-J	Boiler Pump Contactor DPST 120 VAC (Rear Wiring Box)	007906F	007906F	007906F	007906F
10-J	Rocker Switch	009493F	009493F	009493F	009493F
11-J	On / Off Shut Down Breaker Switch 30 Amp	014405F	014405F	014405F	014405F
12-J	Indicator Lamp LED	011848F	011848F	011848F	011848F
13-J	PC Board Adapter Status Lights Wiring	014712F	014712F	014712F	014712F
14-J	Relay DPDT 24V NO (Units manufactured prior to 2/10/16)	011720F	011720F	011720F	011720F
15-J	Relay DPDT 110/120V NO/NC (Units manufactured prior to 2/10/16)	013243F	013243F	013243F	013243F
19-J	Reset Switch for Touchscreen	015879F	015879F	015879F	015879F
M	MISCELLANEOUS COMPONENTS				
1-M	Window Combustion Chamber	015117F	015117F	015117F	015117F
2-M	Combustion Chamber Window Seal	015651F	015651F	015651F	015651F
3-M	T & P Gauge 0-90 PSI	007205F	007205F	007205F	007205F
	T & P Gauge 0-200 PSI	007399F	007399F	007399F	007399F
	T & P Gauge 0-230 PSI	014221F	014221F	014221F	014221F
4-M	PRV 30 PSI	007750F	007750F	007750F	007750F
	PRV 60 PSI	007755F	007755F	014488F	014488F
	PRV 75 PSI	007757F	014678F	014678F	015275F
	PRV 125 PSI	007759F	012312F	012312F	012312F
	PRV 150 PSI	012313F	012313F	012314F	012314F
6-M	RTV Sealant 2.8 oz. (Not Shown)	008924F	008924F	008924F	008924F
	RTV Sealant 10 oz. (Not Shown)	005755F	005755F	005755F	005755F
7-M	Flue Collector Vertical Seal Gasket	014487F	014487F	014487F	014487F
8-M	Flue Exhaust Condensing Heat Exch Gasket	015652F	015652F	015652F	015653F
9-M	Heat Transfer Heat Shield Gaskets	015532F	015532F	015532F	015532F
10-M	Heat Transfer Lower Seal Gasket	014682F	014682F	014682F	014682F
11-M	Air Filter	014492F	014492F	014492F	014492F
12-M	Condensate Hose	015654F	015654F	015654F	015654F
13-M	Condensate Management	015206	015206	015206	015206
14-M	Touch-up Paint				
	Green	750125	750125	750125	750125
	Cool Dark Gray	750256	750256	750256	750256
15-M	Wire Harness (Not Shown)	015655F	015655F	015655F	015655F
16-M	LCD Display Wire Harness (Not Shown)	014554F	014554F	014554F	014554F
17-M	LED Status Lights Wire Harness (Not Shown)	014555F	014555F	014555F	014555F
18-M	Versa IC Communication Cable	015556F	015556F	015556F	015556F
19-M	Plastic Handle	012681F	012681F	012681F	012681F
20-M	Metal Handle	014650F	014650F	014650F	014650F
21-M	Shutter Seal Grommet	014494F	014494F	014494F	014494F
22-M	Plumbing Assembly (Includes 2-P & 13-H)	015656F	015657F	015658F	015659F
O	OPTIONS				
1-O	Remote Sensor (LWCO)	007228F	007228F	007228F	007228F
2-O	Control PC Board (LWCO)	007157F	007157F	007157F	007157F
3-O	Test / Reset Switch (LWCO)	005641F	005641F	005641F	005641F
4-O	Silencer/Reset Switch (Alarm)	005641F	005641F	005641F	005641F
6-O	Alarm Bell 4" 24V	005643F	005643F	005643F	005643F
7-O	Relay 3PDT 24 VAC (Alarm)	014717F	014717F	014717F	014717F
8-O	Vent Limit Switch Manual Reset for Polypropylene Venting	015770F	015770F	015770F	015770F

CALL OUT	DESCRIPTION	2505	3005	3505	4005
P	PUMPS*				
1-P	Primary Bypass Pump				
	Stainless Steel (Soft Water)	015660F	015660F	015662F	015663F
	Stainless Steel (Medium Water)	015661F	015663F	015664F	015663F
	Stainless Steel (Hard Water)	015663F	015664F	015664F	N/A
	Stainless Steel No Weld (Pool)	016048F	016049F	016050F	016050F
	Cast Iron	015666F	015666F	015668F	015669F
	High Temperature Potable Process (H)				
	Stainless Steel (Medium Water)	015661F	015663F	015664F	015719F
	Stainless Steel (Hard Water)	015663F	015664F	015664F	N/A
2-P	Pump Flange Gasket (4 Bolt)	015544F	015544F	015544F	015544F
	Injector Pump				
3-P	Bronze (WH)	007351F	007937F	N/A	N/A
	Stainless Steel (WH)	N/A	N/A	015660F	015665F
	Stainless Steel No Weld (Pool)	011845F	007348F	007351F	007351F
	Cast Iron (H)	007357F	007938F	015666F	015670F
	High Temperature Potable Process (H)				
	Bronze	007351F	007937F	N/A	N/A
	Stainless Steel	N/A	N/A	015660F	015665F
4-P	Pump Flange Gasket (2 Bolt)	013423F	N/A	N/A	N/A
5-P	Pump Flange Gasket (4 Bolt)	N/A	014000F	015544F	015544F
R	REFRACTORY				
1-R	Combustion Chamber Top (Includes 2-M)	014495F	014495F	014495F	014495F
2-R	Combustion Chamber Bottom	014496F	014496F	014496F	014496F
S	SHEETMETAL				
1-S	Jacket Top Front	014497F	014497F	014497F	014497F
2-S	Jacket Top Rear	015671F	015671F	015671F	015671F
3-S	Flue Collector Front (Includes 7-M)	014498F	014499F	014500F	014501F
4-S	Flue Collector Rear (Includes 7-M)	015672F	015673F	015674F	015675F
6-S	Flue Collector Side (Includes 7-M)	014506F	014507F	014508F	014509F
7-S	Combustion Chamber Panel Top	014510F	014510F	014510F	014510F
8-S	Combustion Chamber Panel Bottom	014511F	014511F	014511F	014511F
9-S	Combustion Chamber Bottom Stiffener	014697F	014697F	014697F	014697F
10-S	Heat Transfer Supports	015676F	015676F	015676F	015676F
11-S	Upper Cabinet Support Front	014515F	014515F	014515F	014515F
12-S	Upper Cabinet Support Middle	014516F	014516F	014516F	014516F
13-S	Upper Cabinet Support Rear	015677F	015677F	015677F	015677F
14-S	Upper Cabinet Supports Side Front	014517F	014517F	014517F	014517F
15-S	Upper Cabinet Supports Side Rear	015678F	015678F	015678F	015678F
16-S	Gas Train Support	014518F	014518F	014518F	014518F
17-S	Vertical Cabinet Supports with Stiffeners Front	015679F	015680F	015681F	015682F
18-S	Vertical Cabinet Supports with Stiffeners Side	015683F	015684F	015685F	015686F
19-S	Vertical Cabinet Supports with Stiffeners Rear	015687F	015688F	015689F	015690F
20-S	Condensing Heat Exch Supports	015691F	015692F	015693F	015694F
21-S	Upper Front Panel for LED Lights	014520F	014520F	014520F	014520F
22-S	Jacket Upper Front Panel for LCD Display	015042F	015042F	015042F	015042F
42-S	Jacket Upper Front Panel for Touchscreen	015877F	015877F	015877F	015877F
23-S	Jacket Lower Front Panel	014522F	014523F	014524F	014525F
24-S	Jacket Upper Side Panel Front	014526F	014526F	014526F	014526F
25-S	Jacket Lower Side Panel Front	014527F	014528F	014529F	014530F
26-S	Jacket Lower Side Panel Rear	015695F	015696F	015697F	015698F
27-S	Jacket Upper Rear Panel	014531F	014531F	014531F	014531F
28-S	Jacket Lower Rear Panel	015699F	015700F	015701F	015702F
29-S	Filter Mounting Retainers & Bracket	014536F	014536F	014536F	014536F
30-S	Base Assembly	015703F	015703F	015703F	015703F
31-S	Leg Bracket (4 pcs) (8 per Unit)	007306F	007306F	007306F	007306F
32-S	Control Box Assy	014545F	014545F	014545F	014545F
33-S	Control Box Cover Panel for LCD Digital Display	015041F	015041F	015041F	015041F
43-S	Control Box Cover Panel for Touchscreen Display	015876F	015876F	015876F	015876F
34-S	Control Box Cover Panel for Power Switch	014547F	014547F	014547F	014547F
35-S	Intake Air Plenum	015704F	015705F	015705F	015705F
36-S	Intake Air Hood	015706F	015706F	015706F	015706F
37-S	Intake Air Box (Truseal)	015707F	015707F	015708F	015708F
38-S	Access Panel Water Connections	015709F	015709F	015709F	015709F
39-S	Access Panel Wiring Box Upper	014551F	014551F	014551F	014551F
40-S	Access Panel Wiring Box Lower	015710F	015710F	015710F	015710F
41-S	Wiring Panel Low Voltage	014519F	014519F	014519F	014519F
V	VENTING				
1-V	Outdoor Stack	014552F	014552F	014552F	014553F
2-V	Vent Cap Horizontal Thru-the-Wall for Indoor Units	006650	006650	006650	007989
3-V	Flue Exhaust Adapter for Stainless Steel Venting	015711F	015711F	015711F	015712F
4-V	Flue Exhaust Adapter for Polypropylene Venting	015768F	015768F	015768F	015769F

* For individual TACO 1600 series pump parts see separate pump parts IPL 9300.100



Registered Quality Management System

www.raypak.com