

RAYPAK ILLUSTRATED PARTS LIST

The parts listed are for standard equipment for this model type. Raypak reserves the right to substitute, delete or change any part without notification. The addition of options may also change some of the parts. Order replacement parts from actual heater components.

HI DELTA HEATER SS, H, & WH

COMMERCIAL MODELS HD101, HD151, HD201, HD251, HD301, & HD401

DATES OF MANUFACTURE: 11-01-09 THROUGH CURRENT

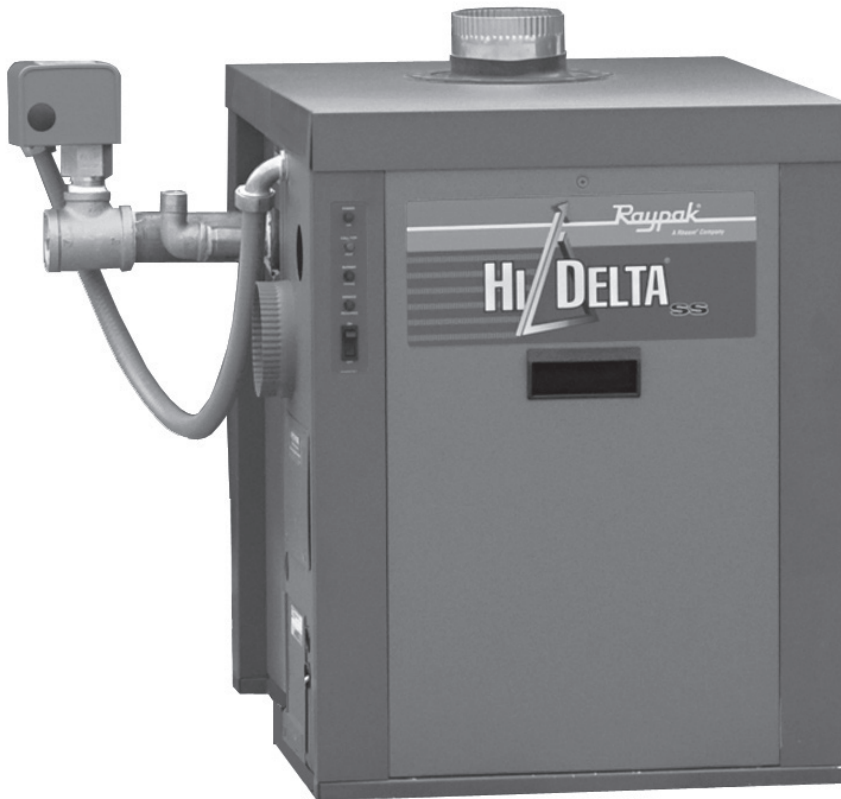
HD201-HD401 WH1 11-01-09 THROUGH 02-29-16

HD101-HD151 WH1 11-01-09 THROUGH 07-31-16

WH1 04-01-17 THROUGH CURRENT

WH3 11-01-09 THROUGH 03-31-17

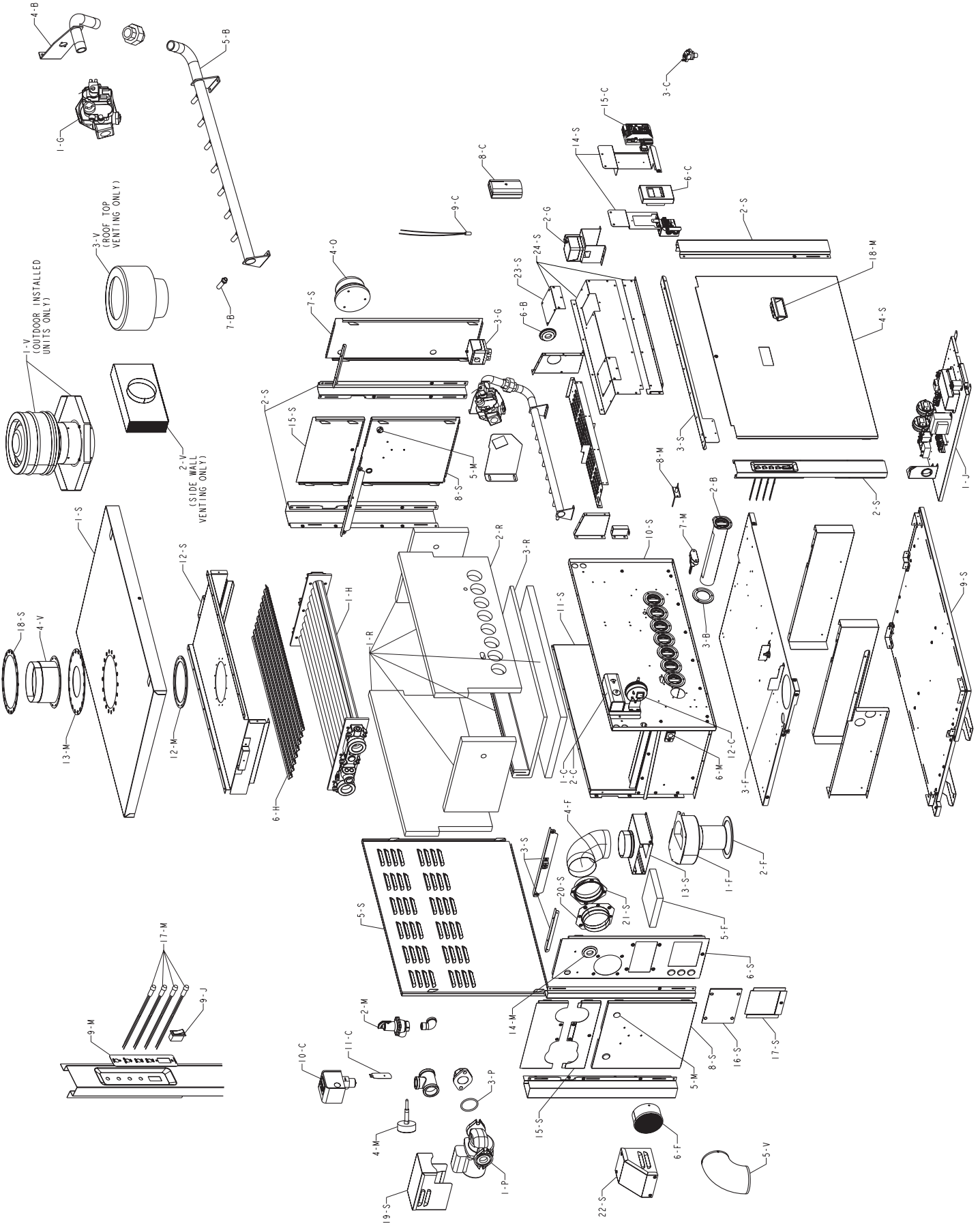
WH3 11-01-17 THROUGH CURRENT



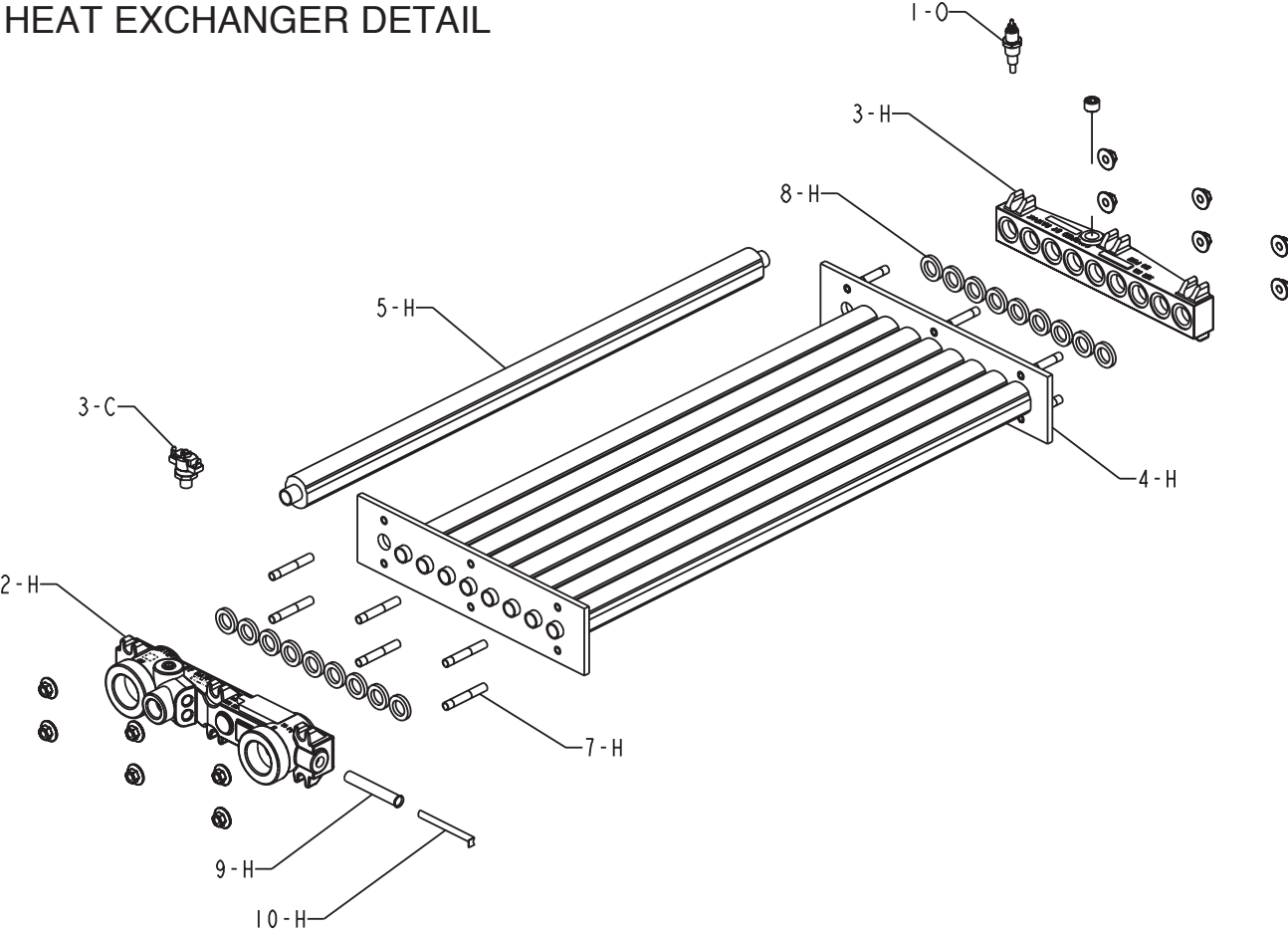
For detailed instructions, see "How to Use your Raypak Illustrated Parts List", Catalog No. 9001.10

Raypak[®]

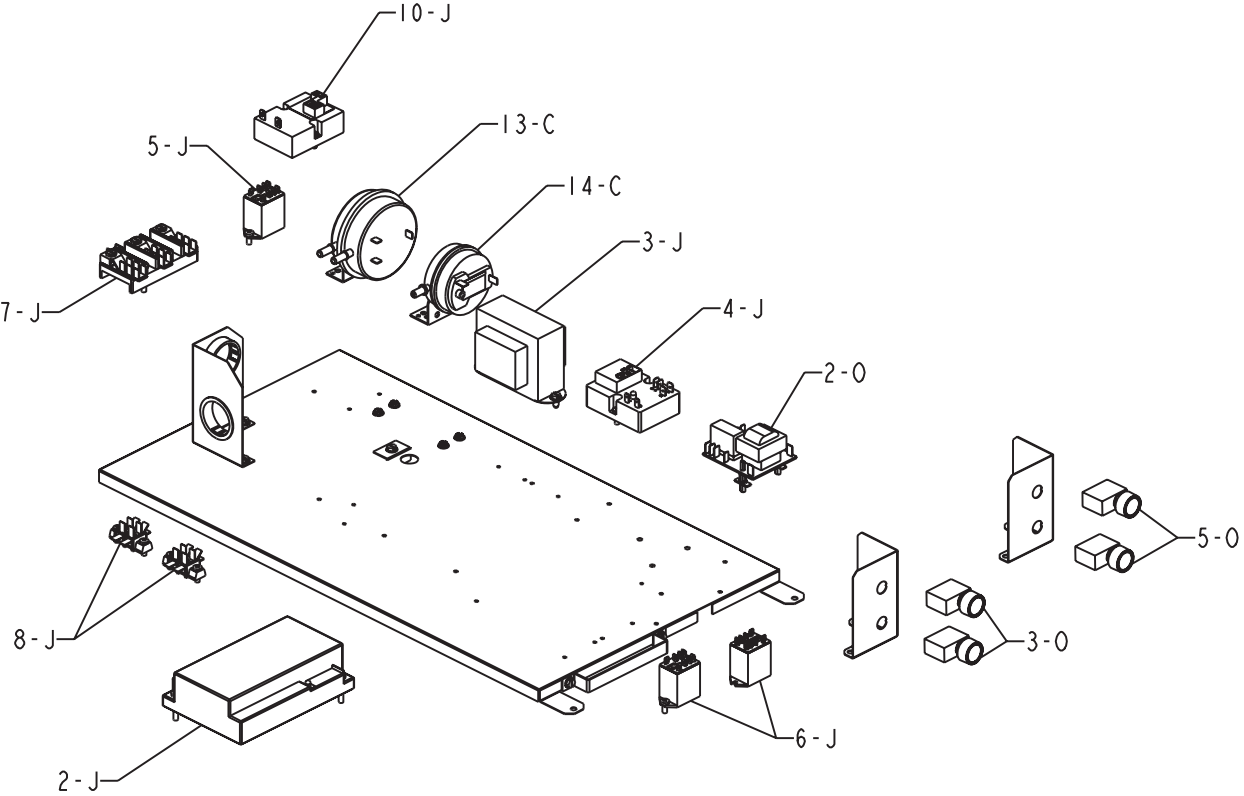
A Rheem[®] Company



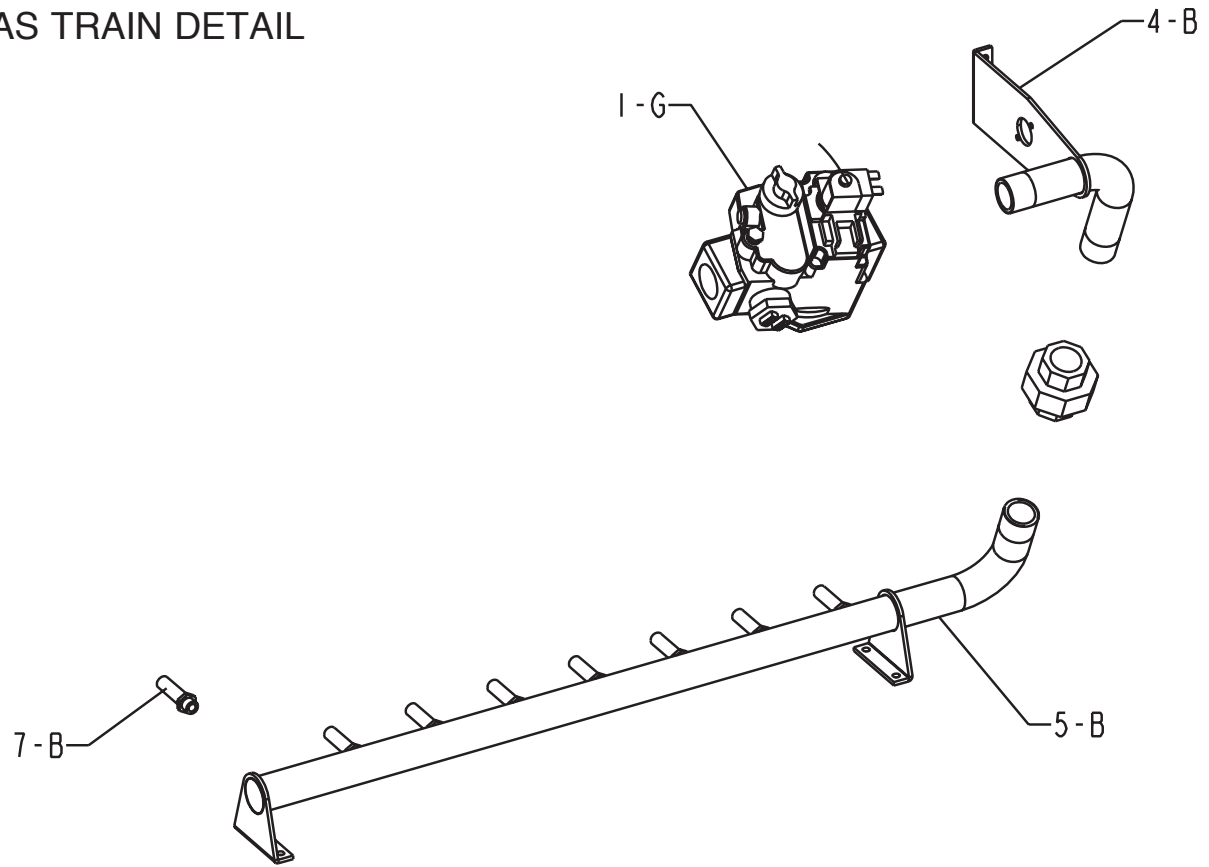
HEAT EXCHANGER DETAIL



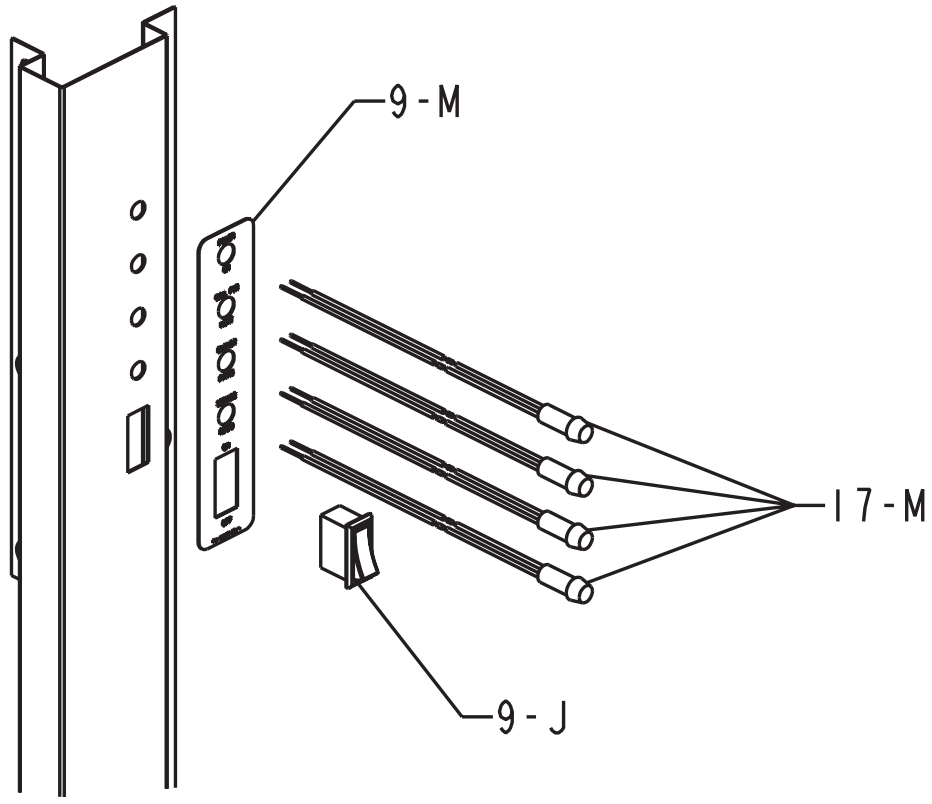
CONTROL ASSEMBLY DETAIL



GAS TRAIN DETAIL



LIGHT PANEL DETAIL



CALL OUT	DESCRIPTION	HD101	HD151	HD201	HD251	HD301	HD401
B	BURNER ASSEMBLY**						
1-B	Burner Assy w/Burners (Includes Front Comb Panel)	012810F	012811F	012812F	012813F	012814F	012815F
2-B	Burner Worgas	012817F	012817F	012817F	012817F	012817F	012817F
3-B	Seal Gasket	007443F	007443F	007443F	007443F	007443F	007443F
4-B	Upper Manifold	012818F	012818F	012818F	012818F	012818F	012818F
5-B	Lower Manifold	012819F	012820F	012821F	012822F	012823F	012824F
6-B	Gas Manifold Grommet 3/4" NPT	010778F	010778F	010778F	010778F	010778F	010778F
7-B	Burner Orifice Nat.#26	351632 / 2	351632 / 3	351632 / 4	351632 / 5	351632 / 6	351632 / 8
	Burner Orifice Pro. (.084")	351671 / 2	351671 / 3	351671 / 4	351671 / 5	351671 / 6	351671 / 8
C	CONTROLS						
1-C	Auto Reset Adjustable High Limit 240F Max	007141F	007141F	007141F	007141F	007141F	007141F
	Auto Reset Adjustable High Limit 180F Max	006445F	006445F	006445F	006445F	006445F	006445F
	Auto Reset Adjustable High Limit 200F Max	012546F	012546F	012546F	012546F	012546F	012546F
2-C	Manual Reset Adjustable High Limit 240F	007144F	007144F	007144F	007144F	007144F	007144F
	Manual Reset Adjustable High Limit 200F	008081F	008081F	008081F	008081F	008081F	008081F
3-C	Manual Reset Fixed High Limit 240F	008520F	008520F	008520F	008520F	008520F	008520F
	Manual Reset Fixed High Limit 200F	008093F	008093F	008093F	008093F	008093F	008093F
4-C	Remote Aquastat (Tankstat) (B-2)	007148F	007148F	007148F	007148F	007148F	007148F
	Remote Aquastat (Tankstat) 2-Stage (B-3)	007392F	007392F	007392F	007392F	007392F	007392F
5-C	Controller 2-Stage (B-6)	007392F	007392F	007392F	007392F	007392F	007392F
	Controller On/Off (B-20)	006445F	006445F	006445F	006445F	006445F	006445F
6-C	Controller 4-Stage B-21 / B-23 Digital Optional	012691F	012691F	012691F	012691F	012691F	012691F
	Controller 2-Stage B-26 / B-27 Digital Optional	012692F	012692F	012692F	012692F	012692F	012692F
	Controller On/Off (B-28) Digital	009729F	009729F	009729F	009729F	009729F	009729F
7-C	Controller RayTemp (B-25)	010252F	010252F	010252F	010252F	010252F	010252F
15-C	Controller 2-Stage w/Outdoor Reset B-42 Digital	014279F	014279F	014279F	014279F	014279F	014279F
8-C	Sensor Outdoor Air B-23 / B-27 / B-42	010786F	010786F	010786F	010786F	010786F	010786F
9-C	Sensor Water B-21 thru B-27 and B-42	010787F	010787F	010787F	010787F	010787F	010787F
10-C	Flow Switch	007142F	007142F	007142F	007142F	007142F	007142F
11-C	Flow Switch Paddle (Taco)	010026F	010026F	010026F	010026F	010026F	010026F
12-C	Switch Air Pressure N.C. (Vent)	007158F	007158F	012838F	012838F	012838F	012838F
13-C	Switch Air Pressure Low N.O. (Blower)	012838F	012838F	012838F	012838F	012838F	012838F
14-C	Switch Air Pressure High N.O. (Blower)	012837F	012837F	012837F	012837F	012837F	012837F
F	FAN						
1-F	Blower Combustion Air (H3 & WH3)	012839F	012839F	015767F	015767F	015767F	015767F
	Units manufactured prior to 1/1/16	012839F	012839F	012840F	012840F	012840F	012840F
	Units manufactured from 1/1/16	012839F	012839F	012840F	012840F	012840F	012840F
2-F	Blower Combustion Air (WH1)	012841F	012841F	012841F	012841F	012841F	012841F
3-F	Blower Gasket	012842F	012842F	012825F	012825F	012825F	012825F
4-F	Air Shutter	007417F	007417F	007417F	007417F	007417F	007417F
5-F	Hose Duct 4"	N/A	N/A	N/A	N/A	N/A	N/A
6-F	Filter Media Pleated 6 x 6	012843F	012843F	012843F	012843F	012843F	012843F
	Filter Media Polyester Mesh 6 x 6	012844F	012844F	012844F	012844F	012844F	012844F
	Intake Air Vent Cap w/Screen	012844F	012844F	012844F	012844F	012844F	012844F
G	GAS TRAIN						
1-G	Combination Gas Valve 2 Stage Nat Honeywell	012845F	012845F	012845F	012845F	012845F	N/A
	Combination Gas Valve 2 Stage Pro Honeywell	012846F	012846F	012846F	012846F	012846F	012846F
	Combination Gas Valve 2 Stage Nat White Rodgers	012847F	012847F	012847F	012847F	012847F	N/A
	Combination Gas Valve 2 Stage Pro White Rodgers	012848F	012848F	012848F	012848F	012848F	012848F
	Combination Gas Valve 2 Stage Nat Robershaw / Invenys	N/A	N/A	N/A	N/A	N/A	012849F
	Combination Gas Valve On/Off Nat Honeywell	007424F	007424F	007424F	007424F	007424F	N/A
	Combination Gas Valve On/Off Pro Honeywell	007425F	007425F	007425F	007425F	007425F	007425F
	Combination Gas Valve On/Off Nat Robershaw / Invenys	N/A	N/A	N/A	N/A	N/A	007666F
2-G	Switch Low Gas Pressure (Optional)	007187F	007187F	007187F	007187F	007187F	007187F
3-G	Switch High Gas Pressure (Optional)	007188F	007188F	007188F	007188F	007188F	007188F
H	HEAT EXCHANGER						
1-H	Heat Exch Cast Iron	012850F	012851F	012852F	012853F	012854F	012855F
	Heat Exch Brass Copper						
	H Boilers	012856F	012857F	012858F	012859F	012860F	012861F
	WH1/WH3 Water Heaters (Units manufactured to 3/31/17)	012856F	012857F	012858F	012859F	012860F	012861F
	WH1 Water Heaters (Units manufactured from 4/1/17)	016520F	016521F	016522F	016523F	016524F	016525F
	WH3 Water Heaters (Units manufactured from 11/1/17)	012856F	012857F	012858F	012859F	012860F	012861F
	Heat Exch Cast Iron Cupro Nickel	012862F	012863F	012864F	012865F	012866F	012867F
	Heat Exch Brass Cupro Nickel						
	H Boilers	012868F	012869F	012870F	012871F	012872F	012873F
	WH Water Heaters (Units manufactured to 3/31/17)	012868F	012869F	012870F	012871F	012872F	012873F
	WH1 Water Heaters (Units manufactured from 4/1/17)	016526F	016527F	016528F	016529F	016530F	016531F
2-H	Inlet/Outlet Header Cast Iron	012874F	012874F	012874F	012874F	012874F	012874F
	Inlet/Outlet Header Brass	012875F	012875F	012875F	012875F	012875F	012875F
3-H	Return Header Cast Iron	002042F	002042F	002042F	002042F	002042F	002042F
	Return Header Brass	002043F	002043F	002043F	002043F	002043F	002043F
4-H	Tube Bundle Copper						
	H Boilers	012876F	012877F	012878F	012879F	012880F	012881F
	WH1/WH3 Water Heaters (Units manufactured to 3/31/17)	012876F	012877F	012878F	012879F	012880F	012881F
	WH1 Water Heaters (Units manufactured from 4/1/17)	016532F	016533F	016534F	016535F	016536F	016537F
	WH3 Water Heaters (Units manufactured from 11/1/17)	012876F	012877F	012878F	012879F	012880F	012881F
	Tube Bundle Cupro Nickel						
	H Boilers	012882F	012883F	012884F	012885F	012886F	012887F
	WH Water Heaters (Units manufactured to 3/31/17)	012882F	012883F	012884F	012885F	012886F	012887F
	WH1 Water Heaters (Units manufactured from 4/1/17)	016538F	016539F	016540F	016541F	016542F	016543F
5-H	Heat Exchange Tube Copper	012888F	012889F	012890F	012891F	012892F	012893F
	Heat Exchange Tube Cupro Nickel	012894F	012895F	012896F	012897F	012898F	012899F
6-H	Baffle Kit						
	H Boilers	012900F	012901F	012902F	012903F	012904F	012905F
	WH1/WH3 Water Heaters (Units manufactured to 3/31/17)	012900F	012901F	012902F	012903F	012904F	012905F
	WH1 Water Heaters (Units manufactured from 4/1/17)	016544F	016545F	016546F	016547F	016548F	016549F
	WH3 Water Heaters (Units manufactured from 11/1/17)	012900F	012901F	012902F	012903F	012904F	012905F
7-H	Stud Bolt Kit	007870F	007870F	007870F	007870F	007870F	007870F
8-H	Header Gasket	800203B	800203B	800203B	800203B	800203B	800203B
9-H	Sensor Well	007211F	007211F	007211F	007211F	007211F	007211F
10-H	Well Retaining Clip	300203	300203	300203	300203	300203	300203

*FOR ALTITUDES ABOVE 4,500 FEET, CONSULT THE FACTORY

CALL OUT	DESCRIPTION	HD101	HD151	HD201	HD251	HD301	HD401
J	CONTROL BOX						
1-J	Control Assy	N/A	N/A	N/A	N/A	N/A	N/A
2-J	Ignition Control	008472F	008472F	008472F	008472F	008472F	008472F
3-J	Transformer 100VA	007494F	007494F	007494F	007494F	007494F	007494F
4-J	Pump Delay 5 or 10 Minutes	012551F	012551F	012551F	012551F	012551F	012551F
5-J	Blower Relay	011720F	011720F	011720F	011720F	011720F	011720F
6-J	Alarm Relay	011720F	011720F	011720F	011720F	011720F	011720F
7-J	Terminal Block (3 Space)	008523F	008523F	008523F	008523F	008523F	008523F
8-J	Terminal Block (2 Space)	011763F	011763F	011763F	011763F	011763F	011763F
10-J	Time Delay Relay	008921F	008921F	008921F	008921F	008921F	008921F
9-J	On/Off Switch	006872F	006872F	006872F	006872F	006872F	006872F
M	MISCELLANEOUS						
2-M	PRV 30 PSI	007470F	007470F	007470F	007470F	007470F	007470F
	PRV 45 PSI	007220F	007220F	007220F	007220F	007220F	007220F
	PRV 60 PSI	007222F	007222F	007222F	007222F	007222F	007222F
	PRV 75 PSI	007223F	007223F	007223F	007223F	007223F	007223F
	PRV 125 PSI	008091F	008091F	007224F	007224F	007224F	007224F
	PRV 150 PSI	007225F	007225F	007225F	007225F	007225F	007225F
3-M	Deliming Kit	052871F	052871F	052871F	052871F	052871F	052871F
4-M	T & P Gauge 0-90 PSI	007205F	007205F	007205F	007205F	007205F	007205F
	T & P Gauge 0-200 PSI	007399F	007399F	007399F	007399F	007399F	007399F
	T & P Gauge 0-230 PSI	014221F	014221F	014221F	014221F	014221F	014221F
5-M	Sight Window Plug	008474F	008474F	008474F	008474F	008474F	008474F
6-M	Window Combustion Chamber	006947F	006947F	006947F	006947F	006947F	006947F
7-M	Ignitor	007400F	007400F	007400F	007400F	007400F	007400F
8-M	Flame Sensor	006535F	006535F	006535F	006535F	006535F	006535F
9-M	Status Light Decal	012906F	012906F	012906F	012906F	012906F	012906F
10-M	RTV Sealant 2.8 oz	008924F	008924F	008924F	008924F	008924F	008924F
	RTV Sealant 10 oz	005755F	005755F	005755F	005755F	005755F	005755F
11-M	FiberFrax Strip Insulation 1" Wide	008473F	008473F	008473F	008473F	008473F	008473F
12-M	Flue Exhaust Flange Seal Gasket	012907F	012907F	009734F	009734F	009734F	009735F
13-M	Flue Exhaust Adapter Seal Gasket	012908F	012908F	009737F	009737F	009737F	009738F
14-M	Gas Manifold Grommet 3/4" NPT	010778F	010778F	010778F	010778F	010778F	010778F
15-M	Touch-up Paint						
	Green	750125	750125	750125	750125	750125	750125
	Dark Gray	750126	750126	750126	750126	750126	750126
	Cool Dark Gray	750256	750256	750256	750256	750256	750256
	Warm Dark Gray	750258	750258	750258	750258	750258	750258
16-M	Wire Harness Cabinet						
	Units manufactured prior to 9/1/12	012909F	012909F	012909F	012909F	012909F	012909F
	Units manufactured from 9/1/12 2 Stage Units	014294F	014294F	014294F	014294F	014294F	012909F
	Units manufactured from 9/1/12 On/Off Units	016164F	016164F	016164F	016164F	016164F	016165F
	Wire Harness Control Box 2 Stage Controls						
	Units manufactured prior to 9/1/12	012910F	012910F	012910F	012910F	012910F	012910F
	Units manufactured from 9/1/12	014295F	014295F	014295F	014295F	014295F	012910F
	Wire Harness Control Box On/Off Controls	015044F	015044F	015044F	015044F	015044F	015044F
17-M	Indicator Lamp	011848F	011848F	011848F	011848F	011848F	011848F
18-M	Plastic Handle	012681F	012681F	012681F	012681F	012681F	012681F
O	OPTIONS						
1-O	Remote Sensor for Low Water Cut-Off	008063F	008063F	008063F	008063F	008063F	008063F
2-O	Low Water Cut Off PC Board	007157F	007157F	007157F	007157F	007157F	007157F
3-O	Reset/Test Switch for Low Water Cut Off	005641F	005641F	005641F	005641F	005641F	005641F
4-O	Alarm Bell 3"	005642F	005642F	005642F	005642F	005642F	005642F
	Alarm Bell 4"	005643F	005643F	005643F	005643F	005643F	005643F
5-O	Silencer/Reset Switch (Alarm)	005641F	005641F	005641F	005641F	005641F	005641F
P	PUMPS*						
1-P	Pump Inline BR Soft 0010	012911F	012911F	012911F	012911F	012911F	012911F
	Pump Inline SS/BR Medium 0012	012912F	012912F	012912F	012912F	012912F	012912F
	Pump Inline BR Hard 1611	007226F	007226F	007226F	007226F	007226F	007226F
	Pump Inline CIBF Soft 0010	012913F	012913F	012913F	012913F	012913F	012913F
	Pump Inline CIBF Medium 0012	013426F	013426F	013426F	013426F	013426F	013426F
	Pump Inline CIBF Hard 1611	007232F	007232F	007232F	007232F	007232F	007232F
	Pump Inline SS Medium 0012	013425F	013425F	013425F	013425F	013425F	013425F
2-P	Pump Cartridge 0010	015272F	015272F	015272F	015272F	015272F	015272F
	Pump Cartridge 0012	016480F	016480F	016480F	016480F	016480F	016480F
3-P	Pump Flange Gasket 0012	008747F	008747F	008747F	008747F	008747F	008747F
	Pump Flange Gasket 1611	008749F	008749F	008749F	008749F	008749F	008749F
R	REFRACTORY						
1-R	Refractory Kit (All Panels)	012993F	012994F	012995F	012996F	012997F	012998F
2-R	Refractory Front Panel	012914F	012915F	012916F	012917F	012918F	012919F
3-R	Refractory Blanket	012920F	012921F	012922F	012923F	012924F	012925F

* For individual pump parts see separate pump parts IPL 9300.100

CALL OUT	DESCRIPTION	HD101	HD151	HD201	HD251	HD301	HD401
S	SHEETMETAL						
1-S	Jacket Top	012926F	012927F	012928F	012929F	012930F	012931F
2-S	Vertical Cabinet Supports	012932F	012932F	012932F	012932F	012932F	012932F
3-S	Cabinet Supports	012933F	012934F	012935F	012936F	012937F	012938F
4-S	Jacket Front Panel						
	Green	012939F	012940F	012941F	012942F	012943F	012944F
	Warm Dark Gray	014262F	014263F	014264F	014265F	014266F	014267F
5-S	Jacket Rear Panel						
	Green	012945F	012946F	012947F	012948F	012949F	012950F
	Cool Dark Gray	014268F	014269F	014270F	014271F	014272F	014273F
6-S	Jacket Left Side Panel Front						
	Green	012951F	012951F	012951F	012951F	012951F	012951F
	Cool Dark Gray	014274F	014274F	014274F	014274F	014274F	014274F
7-S	Jacket Right Side Panel front						
	Green	012952F	012952F	012952F	012952F	012952F	012952F
	Cool Dark Gray	014275F	014275F	014275F	014275F	014275F	014275F
8-S	Jacket Side Panel Rear						
	Green	012953F	012953F	012953F	012953F	012953F	012953F
	Cool Dark Gray	014276F	014276F	014276F	014276F	014276F	014276F
9-S	Base Panel	012954F	012955F	012956F	012957F	012958F	012959F
10-S	Front Combustion Chamber Panel	012960F	012961F	012962F	012963F	012964F	012965F
11-S	Rear/Bottom Combustion Chamber Panel	012966F	012967F	012968F	012969F	012970F	012971F
12-S	Combustion Chamber Top	012972F	012973F	012974F	012975F	012976F	012977F
13-S	Filter Box	012978F	012978F	012978F	012978F	012978F	012978F
14-S	Controller Mounting Bracket						
	B-26 thru B-28	012979F	012979F	012979F	012979F	012979F	012979F
	B-42	014293F	014293F	014293F	014293F	014293F	014293F
15-S	Access Panel Water Connections (All Panels)						
	Green	012980F	012980F	012980F	012980F	012980F	012980F
	Cool Dark Gray	014277F	014277F	014277F	014277F	014277F	014277F
16-S	Access Panel Filter						
	Green	012981F	012981F	012981F	012981F	012981F	012981F
	Cool Dark Gray	014278F	014278F	014278F	014278F	014278F	014278F
17-S	Access Panel Wiring Box						
	Green	012982F	012982F	012982F	012982F	012982F	012982F
	Cool Dark Gray	014214F	014214F	014214F	014214F	014214F	014214F
18-S	Flue Exhaust Gasket Retainer	012983F	012983F	010029F	010029F	010029F	010030F
19-S	Pump Cover (Taco 0010)	013355F	013355F	013355F	013355F	013355F	013355F
	Pump Cover (Taco 0012)	013371F	013371F	013371F	013371F	013371F	013371F
	Pump Cover (Taco 1610)	012987F	012987F	012987F	012987F	012987F	012987F
20-S	Intake Air Collar (Outside)	012988F	012988F	012988F	012988F	012988F	012988F
21-S	Intake Air Collar (Inside)	012989F	012989F	012989F	012989F	012989F	012989F
22-S	Intake Air Vent Hood						
	Green	012772	012772	012772	012772	012772	012772
	Cool Dark Gray	014246F	014246F	014246F	014246F	014246F	014246F
24-S	Manifold Plenum Cover Panels	016518F	016519F	016521F	016522F	016523F	016524F
23-S	Access Panel Igniter/Flame Sensor	N/A	N/A	013345F	013345F	013345F	013345F
V	VENTING						
1-V	Outdoor Stack	015445F	015445F	015446F	015446F	015446F	014622F
2-V	D15 Vent Cap Horizontal Thru-the-Wall for Indoor Units	011712	011712	007000	007000	007000	006644
3-V	D20 Vent Cap Vertical (Roof top only) for Indoor Units	010800	010800	010801	010801	010801	010802
4-V	Flue Exhaust Adapter	012990F	012990F	012991F	012991F	012991F	012992F
5-V	D16 Intake Air Elbow	006996	006996	006996	006996	006996	006996

Gas Conversions*	HD101	HD151	HD201	HD251	HD301	HD401
Natural to Propane	013066F	013066F	013066F	013066F	013066F	013066F
Propane to Natural	N/A	N/A	N/A	N/A	N/A	N/A

*FOR GAS CONVERSIONS, PLEASE CONSULT THE FACTORY.



Registered Quality Management System

www.raypak.com

Raypak, Inc., 2151 Eastman Avenue, Oxnard, CA 93030 (805) 278-5300 FAX (805) 278-5489
Litho In U.S.A.