

COMMERCIAL
MODELS: MVB 503A THRU 2003A

CATALOG NO. 9300.744
Effective: 09-25-13
Replaces: NEW

RAYPAK ILLUSTRATED PARTS LIST

MODEL SIZES: 503A, 753A, 1003A, 1253A, 1503A, 1753A & 2003A

MODEL TYPES: MODULATING VERTICAL BOILER H, WH CAT IV

DATES OF MANUFACTURE: 03-01-13 THROUGH CURRENT

THE PARTS LISTED ARE FOR STANDARD EQUIPMENT FOR THIS MODEL TYPE. RAYPAK RESERVES THE RIGHT TO SUBSTITUTE, DELETE OR CHANGE ANY PART WITHOUT NOTIFICATION. THE ADDITION OF OPTIONS MAY ALSO CHANGE SOME OF THE PARTS. ORDER REPLACEMENT PARTS FROM ACTUAL HEATER COMPONENTS.



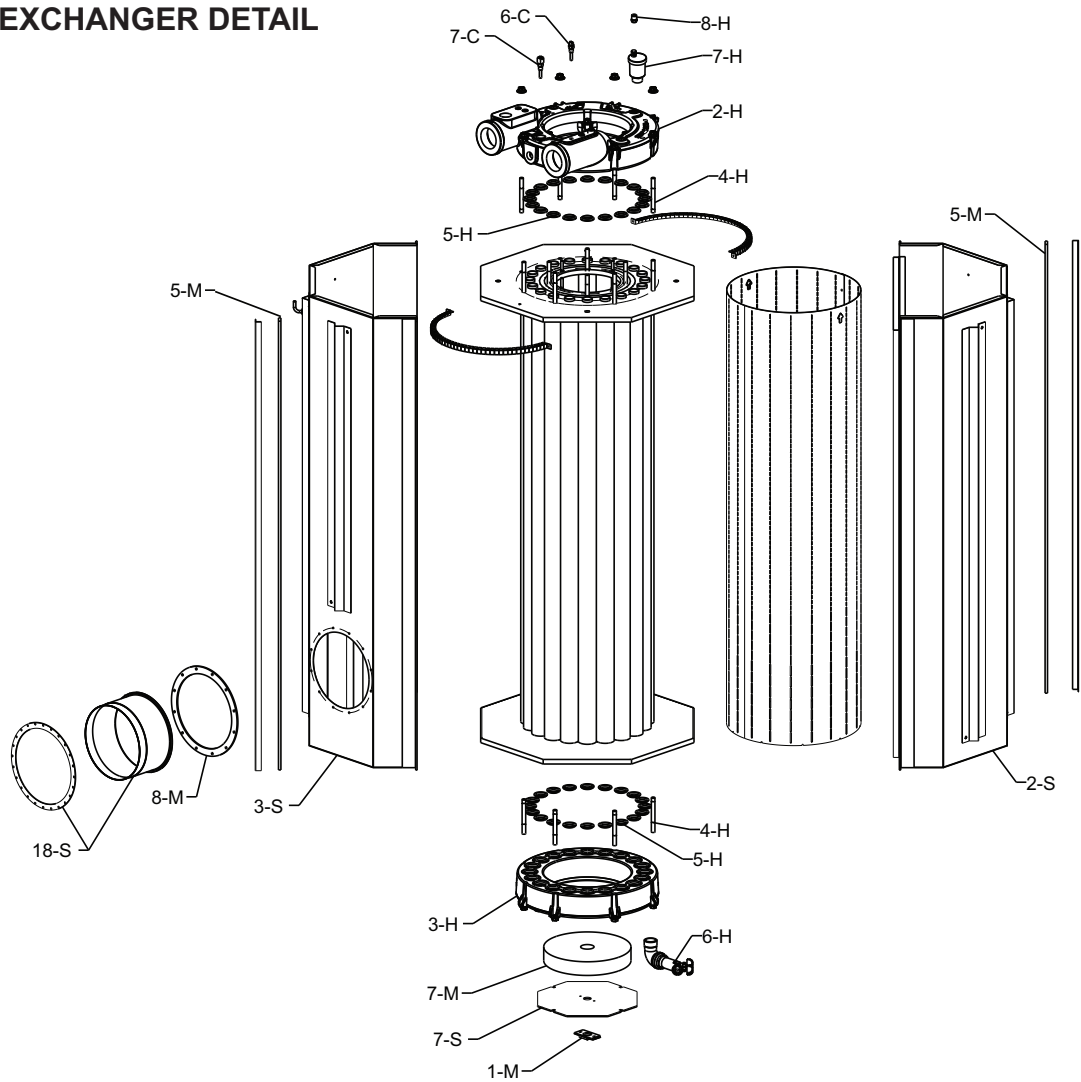
FOR DETAILED INSTRUCTIONS, SEE "HOW TO USE YOUR RAYPAK ILLUSTRATED PARTS LIST",
CATALOG NO. 9001.10



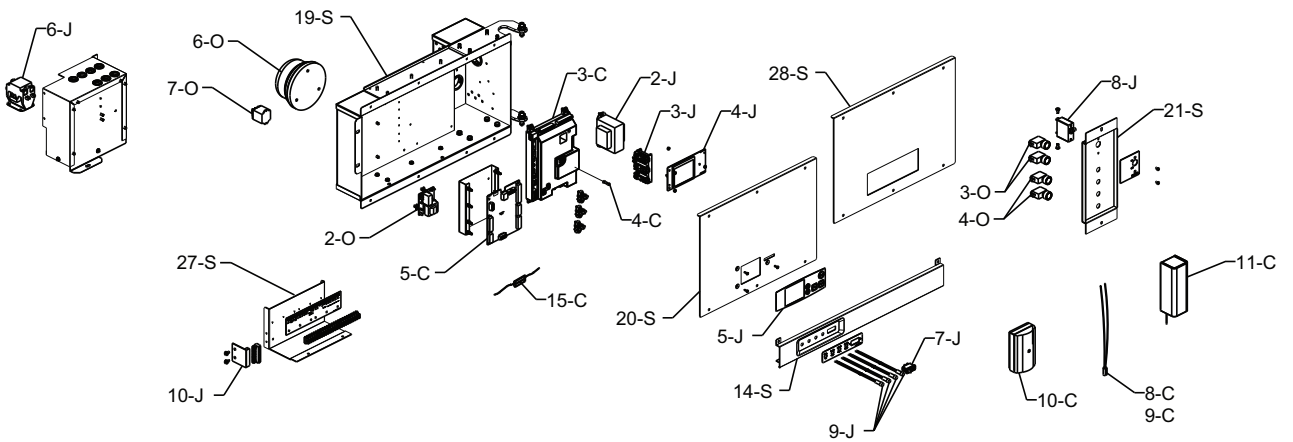
Raypak, Inc., 2151 Eastman Avenue, Oxnard, CA 93030
(805) 278-5300 FAX (805) 278-5489
Litho In U.S.A.

P/N 241502

HEAT EXCHANGER DETAIL

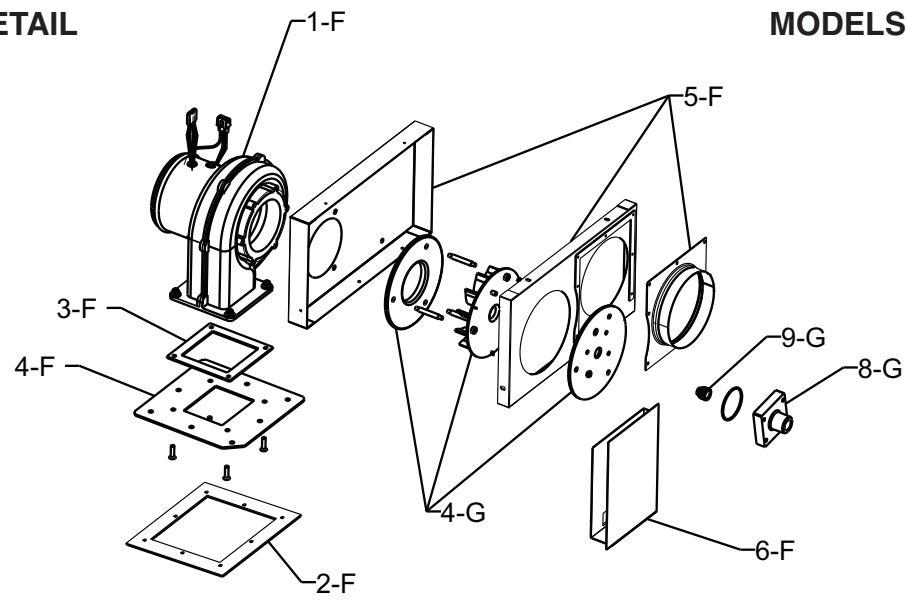


ELECTRONIC COMPONENT DETAILS

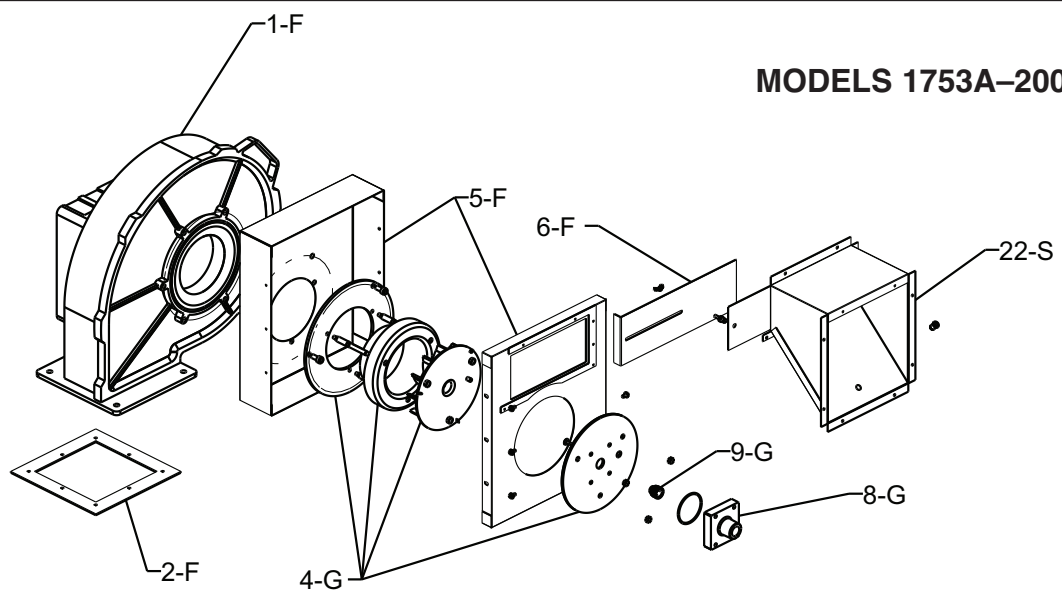


BLOWER DETAIL

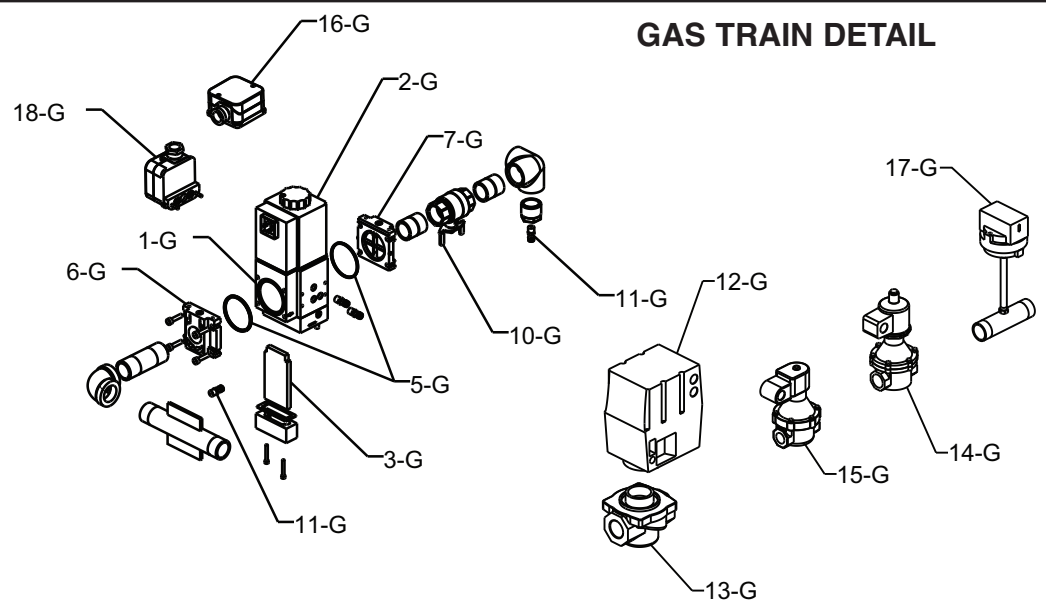
MODELS 503A-1503A



MODELS 1753A-2003A



GAS TRAIN DETAIL



CALL OUT	DESCRIPTION	503A	753A	1003A	1253A	1503A	1753A	2003A
H	HEAT EXCHANGER							
1-H	Heat Transfer Cupro-Nickel Bronze (Includes 16-S)	014559F	014560F	014561F	014562F	014563F	014564F	014565F
	Heat Transfer Cupro-Nickel Cast Iron (Includes 16-S)	014566F	014567F	014568F	014569F	014570F	014571F	014572F
	Heat Transfer Copper Bronze (Includes 16-S)	014573F	014574F	014575F	014576F	014577F	014578F	014579F
	Heat Transfer Copper Cast Iron (Includes 16-S)	014580F	014581F	014582F	014583F	014584F	014585F	014586F
2-H	Inlet/Outlet Header Bronze	014587F	014587F	014619F	014619F	014619F	014619F	014619F
	Inlet/Outlet Header Cast Iron	014588F	014588F	014620F	014620F	014620F	014620F	014620F
3-H	Return Header Bronze	007204F	007204F	007204F	007204F	007204F	007204F	007204F
	Return Header Cast Iron	012330F	012330F	012330F	012330F	012330F	012330F	012330F
4-H	Stud Bolt	009104F	009104F	009104F	009104F	009104F	009104F	009104F
5-H	Header Gasket (20 PCS)	007343F	007343F	007343F	007343F	007343F	007343F	007343F
6-H	Drain Valve	006536F	006536F	006536F	006536F	006536F	006536F	006536F
7-H	Air Vent Valve	011866F	011866F	011866F	011866F	011866F	011866F	011866F
8-H	Air Vent Waste Connector Adapter	013071F	013071F	013071F	013071F	013071F	013071F	013071F
M	MISCELLANEOUS COMPONENTS							
1-M	Window Combustion Chamber	006947F	006947F	006947F	006947F	006947F	006947F	006947F
2-M	T & P Gauge 0-75 PSI	007205F	007205F	007205F	007205F	007205F	007205F	007205F
	T & P Gauge 0-200 PSI	007399F	007399F	007399F	007399F	007399F	007399F	007399F
	T & P Gauge 0-230 PSI	014221F	014221F	014221F	014221F	014221F	014221F	014221F
3-M	PRV 30 PSI	007217F	007218F	007219F	007219F	007748F	007748F	007748F
	PRV 45 PSI	007220F	007346F	007221F	007221F	007751F	007751F	007752F
	PRV 60 PSI	007222F	007222F	007222F	007753F	007753F	007754F	007754F
	PRV 75 PSI	007223F	007223F	007223F	007223F	007756F	007756F	007756F
	PRV 125 PSI	011912F	007224F	007224F	007224F	007758F	007758F	007758F
	PRV 150 PSI	007225F	007225F	007225F	007225F	007225F	007225F	007225F
4-M	RTV Sealant 2.8 oz. (Not Shown)	008924F	008924F	008924F	008924F	008924F	008924F	008924F
	RTV Sealant 10 oz. (Not Shown)	005755F	005755F	005755F	005755F	005755F	005755F	005755F
5-M	Flue Collector Vertical Seal Gasket	011772F	011772F	011772F	011772F	011772F	011772F	011772F
6-M	Heat Transfer Insulation Blanket	011896F	011896F	011896F	011896F	011896F	011896F	011896F
7-M	Insulation Blanket Return Header	007241F	007241F	007241F	007241F	007241F	007241F	007241F
8-M	Flue Exhaust Adapter Gasket	009735F	009735F	009735F	009736F	009736F	009736F	009736F
10-M	Inline Intake Air Filter Premium Pleated	012553F	012553F	012553F	012552F	012552F	012552F	012552F
11-M	Touch-up Paint							
	Green	750125	750125	750125	750125	750125	750125	750125
	Cool Dark Gray	750256	750256	750256	750256	750256	750256	750256
12-M	Wire Harness	014624F	014624F	014624F	014624F	014624F	014624F	014624F
13-M	LCD Display Wire Harness	014554F	014554F	014554F	014554F	014554F	014554F	014554F
14-M	LED Status Lights Wire Harness	014555F	014555F	014555F	014555F	014555F	014555F	014555F
15-M	Plastic Handle	012681F	012681F	012681F	012681F	012681F	012681F	012681F
16-M	Metal Handle	014650F	014650F	014650F	014650F	014650F	014650F	014650F
	OPTIONS							
1-O	Remote Sensor (LWCO)	007228F	007228F	007228F	007228F	007228F	007228F	007228F
2-O	Control PC Board (LWCO)	007157F	007157F	007157F	007157F	007157F	007157F	007157F
3-O	Test / Reset Switch (LWCO)	005641F	005641F	005641F	005641F	005641F	005641F	005641F
4-O	Silencer/Reset Switch (Alarm)	005641F	005641F	005641F	005641F	005641F	005641F	005641F
6-O	Alarm Bell 4" 24V	005643F	005643F	005643F	005643F	005643F	005643F	005643F
7-O	Relay 3PDT 24 VAC (Alarm)	014717F	014717F	014717F	014717F	014717F	014717F	014717F
P	PUMPS							
1-P	Pump -Circulating - Bronze (Soft Water)	007226F	007226F	007227F	011845F	007348F	007351F	007351F
	Pump -Circulating - Bronze (Medium Water)	007226F	007347F	011845F	007351F	007351F	007937F	007937F
	Pump -Circulating - Bronze (Hard Water)	007349F	007349F	007351F	007351F	007351F	007937F	007937F
	Pump -Circulating - CI (Soft Water)	007232F	007232F	007233F	011846F	007354F	007357F	007357F
	Pump -Circulating - CI (Medium Water)	007232F	007353F	011846F	007357F	007357F	007938F	007938F
	Pump -Circulating - CI (Hard Water)	007355F	007355F	007357F	007357F	007357F	007938F	007938F
2-P	Pump Flange Gasket (2 Bolt)	013423F	013423F	013423F	013423F	013423F	013423F	013423F
3-P	Pump Flange Gasket (4 Bolt)						014000F	014000F

CALL OUT	DESCRIPTION	503A	753A	1003A	1253A	1503A	1753A	2003A
S	SHEETMETAL							
1-S	Jacket Top	014589F	014589F	014589F	014589F	014589F	014589F	014589F
2-S	Flue Collector Front (No Opening) (Includes 5-M)	011787F	011788F	011789F	011790F	011791F	011792F	011793F
3-S	Flue Collector Rear (Opening) (Includes 5-M and 8-M)	011794F	011795F	011796F	011797F	011798F	011799F	011800F
4-S	Heat Transfer Supports	014590F	014590F	014590F	014590F	014590F	014590F	014590F
5-S	Upper Cabinet Supports	014651F	014651F	014651F	014651F	014651F	014651F	014651F
6-S	Vertical Cabinet Supports with Stiffeners	014591F	014592F	014593F	014594F	014595F	014596F	014597F
7-S	Return Header Cover	007257F	007257F	007257F	007257F	007257F	007257F	007257F
8-S	Jacket Upper Front Panel w/LCD Display	014598F	014598F	014598F	014598F	014598F	014599F	014599F
9-S	Jacket Lower Front Panel	014600F	014601F	014602F	014603F	014604F	014605F	014606F
10-S	Jacket Upper Side Panel	014607F	014607F	014607F	014607F	014607F	014608F	014608F
11-S	Jacket Lower Side Panel	011819F	011820F	011821F	011822F	011823F	011824F	011825F
12-S	Jacket Upper Rear Panel	014609F	014609F	014610F	014611F	014611F	014612F	014612F
13-S	Jacket Lower Rear Panel	011826F	011827F	011828F	011829F	011830F	011831F	011832F
14-S	Upper Front Panel w/LED Lights	014613F	014613F	014613F	014613F	014613F	014613F	014613F
15-S	Base Assembly	009129F	009129F	009129F	009129F	009129F	009129F	009129F
16-S	Leg Bracket (4 pcs per boiler)	007306F	007306F	007306F	007306F	007306F	007306F	007306F
17-S	Base Reflector Panel	007307F	007307F	007307F	007307F	007307F	007307F	007307F
18-S	Flue Exhaust Adapter Assembly	011900F	011900F	011900F	011901F	011901F	011901F	011901F
19-S	Control Box Assy	014614F	014614F	014614F	014614F	014614F	014614F	014614F
20-S	Control Box Cover Panel with Digital Display	014615F	014615F	014615F	014615F	014615F	014615F	014615F
28-S	Control Box Cover Panel without Digital Display	014698F	014698F	014698F	014698F	014698F	014698F	014698F
21-S	Control Box Cover Panel with Power Switch	014616F	014616F	014616F	014616F	014616F	014616F	014616F
22-S	Intake Air Adapter	N/A	N/A	N/A	N/A	N/A	011881F	011881F
23-S	Intake Air Collar (Outside)	011898F	011898F	011898F	011899F	011899F	011882F	011882F
24-S	Intake Air Collar (Inside)	011905F	011905F	011905F	011905F	011905F	N/A	N/A
25-S	Access Panel	014617F	014617F	014617F	014617F	014617F	014618F	014618F
26-S	Access Panel Wiring Box	011906F	011906F	011906F	011906F	011906F	011906F	011906F
27-S	Wiring Panel 24V	014519F	014519F	014519F	014519F	014519F	014519F	014519F
V	VENTING							
1-V	Outdoor Stack	014622F	014622F	014622F	014623F	014623F	014623F	014623F
2-V	Vent Cap Vertical for Indoor Units	010802	010802	010802	010803	010803	010803	010803
3-V	Vent Cap Horizontal Thru-the-Wall for Indoor Units	006644	006644	006644	006646	006646	006646	006646
4-V	Inline Air filter Premium (Complete)	012460	012460	012460	012461	012461	012461	012461



www.raypak.com