



Sidewall Vent
Category III



Vertical Venting
Category I (Type B)

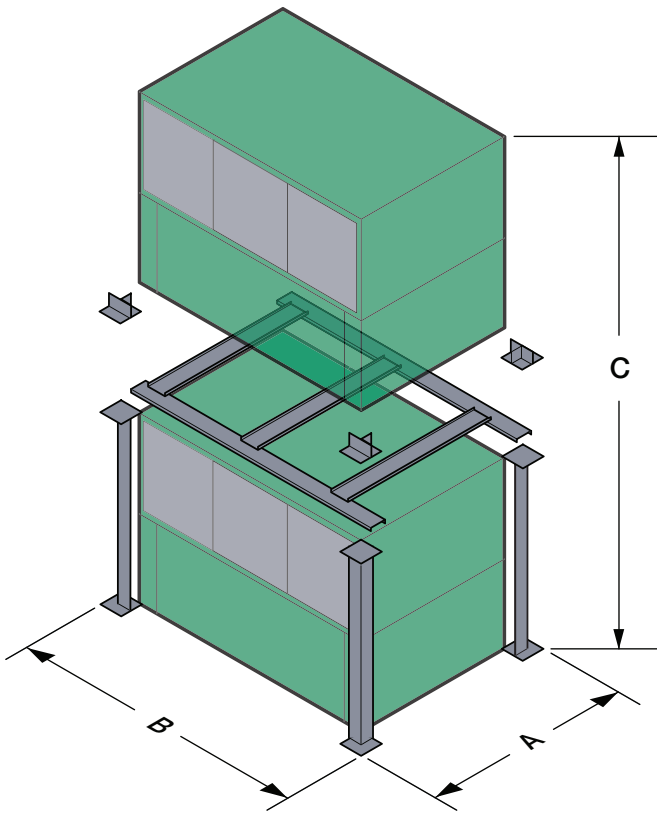


- For vertical stacking of two Raypak HI DELTA® boilers
- For boiler sizes 300,000 BTUH through 2,340,000 BTUH

- Two-Boiler Vertical Stack
- No Vent Offset Required
- Small Footprint
- Fits in Low-Ceiling Room
- Heavy-Duty Construction

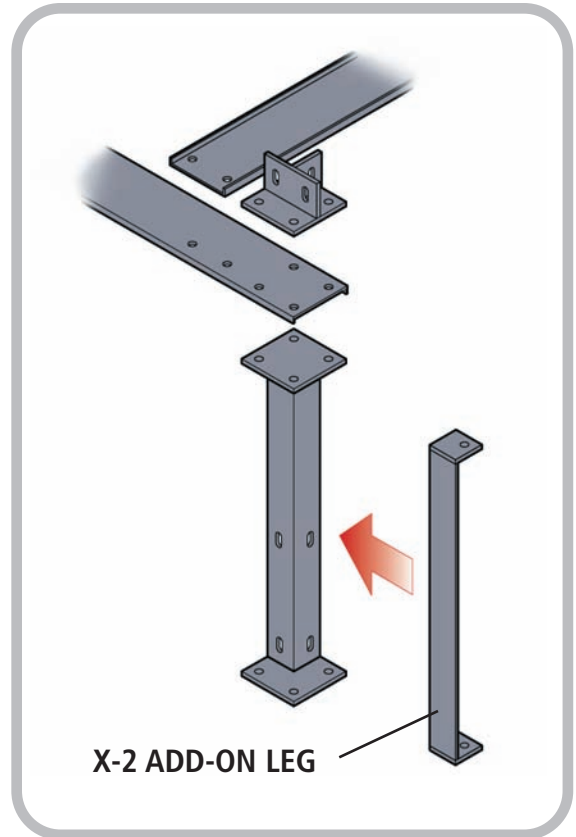
- Easy Assembly
- All Hardware Included
- Still Allows for Complete Servicing





X-1 RACK KIT

Standard rack kit for ground-level installations



X-2 ADD-ON KIT

For above-ground installations

Hi Delta Models	X-1 Part Number	X-2 Part Number	A	B	C
302	006906	007046	30	41-1/4	72-1/4
402	006907		30	48-1/4	72-1/4
502	006908		30	55-1/4	72-1/4
652	006909		30	65-3/4	72-1/4
752	006910		30	72-3/4	72-1/4
902	006911		30	83-1/4	72-1/4
992	011563	007053	37-1/2	64-1/8	87-1/2
1262	011564		37-1/2	75-1/2	87-1/2
1532	011565		37-1/2	87	87-1/2
1802	011566		37-1/2	98-1/8	87-1/2
2002	011567		37-1/2	109-1/2	87-1/2
2072	011567		37-1/2	109-1/2	87-1/2
2342	011568		37-1/2	121	87-1/2

INFORMATION		
Hi Delta Model	Ground Level	Above Ground
302 thru 902	Standard X-1 Kit	Add X-2 Kit
992 thru 2342	Standard X-1 Kit	Add X-2 Kit

Kit contains all assembly hardware.

For submittal information, see Catalog No. 1000.92