

INSTALLATION INSTRUCTIONS

COMMERCIAL STACKED WASHER/
DRYER GAS OR ELECTRIC

INSTRUCTIONS D'INSTALLATION

LAVEUSE/SÉCHEUSE SUPERPOSÉES
À USAGE COMMERCIAL
À GAZ OU ÉLECTRIQUE

INSTRUCCIONES DE INSTALACIÓN

LAVADORA/SECADORA COMERCIALES
APILADAS A GAS O ELÉCTRICAS

TABLE OF CONTENTS

	Page
Stacked Washer/Dryer Safety.....	2
Tools & Parts	5
Alternate Parts and Accessories.....	6
Dimensions/Clearances	7
Stacked Washer/Gas Dryer Installation Requirements	8
Stacked Washer/Electric Dryer Installation Requirements	11
Dryer Venting Requirements	15
Dryer Gas Supply Requirements	18
Installing Stacked Washer/Dryer.....	19
Washer Drain System	22
Electric Dryer Electrical Connections	23
Leveling	27
Reversing Dryer Door Swing	29
Stacked Washer/Dryer Maintenance Instructions	32
If You Need Assistance	33
Electronic Control Setup Instructions	34
Warranty	40

TABLE DES MATIÈRES

	Page
Sécurité de la laveuse/sécheuse superposées.....	41
Outils et pièces	44
Pièces supplémentaires et accessoires	45
Dimensions/Distances de dégagement	46
Exigences d'installation pour la laveuse/sécheuse à gaz superposées.....	47
Exigences d'installation pour la laveuse/sécheuse électriques superposées	50
Exigences concernant l'évacuation de la sécheuse	55
Spécifications de l'alimentation en gaz de la sécheuse	58
Installation de la laveuse/sécheuse superposées	59
Système d'évacuation de la laveuse	62
Raccordements de la sécheuse électrique	63
Nivellement	67
Inversion du sens d'ouverture de la porte de la sécheuse	69
Instructions d'entretien de la laveuse/sécheuse superposées	72
Si vous avez besoin d'assistance	73
Instructions de réglage du tableau de commande électronique	74
Garantie	81

ÍNDICE

	Página
Seguridad de la lavadora/ secadora apiladas	82
Herramientas y piezas.....	85
Piezas y accesorios adicionales	86
Dimensiones y espacios libres	87
Requisitos de instalación de la lavadora/secadora a gas apiladas	88
Requisitos de instalación de la lavadora/secadora eléctricas apiladas	91
Requisitos de ventilación de la secadora	95
Requisitos del suministro de gas de la secadora	98
Instalación de la lavadora/ secadora apiladas	99
Sistema de desagüe de la lavadora	102
Conexiones eléctricas de la secadora eléctrica	103
Nivelación	108
Cómo invertir el cierre de la puerta de la secadora	110
Instrucciones de mantenimiento de la lavadora/secadora apiladas	112
Si necesita ayuda	113
Instrucciones de programación del control electrónico	115
Garantía	121



STACKED WASHER/DRYER SAFETY

Your safety and the safety of others are very important.

We have provided many important safety messages in this manual and on your appliance. Always read and obey all safety messages.



This is the safety alert symbol.

This symbol alerts you to potential hazards that can kill or hurt you and others.

All safety messages will follow the safety alert symbol and either the word "DANGER" or "WARNING."

These words mean:

⚠ DANGER

You can be killed or seriously injured if you don't immediately follow instructions.

⚠ WARNING

You can be killed or seriously injured if you don't follow instructions.

All safety messages will tell you what the potential hazard is, tell you how to reduce the chance of injury, and tell you what can happen if the instructions are not followed.



WARNING - "Risk of Fire"

- Clothes dryer installation must be performed by a qualified installer.
- Install the clothes dryer according to the manufacturer's instructions and local codes.
- Do not install a clothes dryer with flexible plastic venting materials or flexible metal (foil type) duct. If flexible metal duct is installed, it must be of a specific type identified by the appliance manufacturer as suitable for use with clothes dryers. Flexible venting materials are known to collapse, be easily crushed, and trap lint. These conditions will obstruct clothes dryer airflow and increase the risk of fire.
- To reduce the risk of severe injury or death, follow all installation instructions.
- Save these instructions.

- It is recommended that the owner post, in a prominent location, instructions for the customer's use in the event the customer smells gas. This information should be obtained from your gas supplier.
- Post the following warning in a prominent location.

FOR YOUR SAFETY

Do not store or use gasoline or other flammable vapors and liquids in the vicinity of this or any other appliance.

STACKED WASHER/DRYER SAFETY

 **WARNING:**

FIRE OR EXPLOSION HAZARD

Failure to follow safety warnings exactly could result in serious injury, death, or property damage.

- Do not store or use gasoline or other flammable vapors and liquids in the vicinity of this or any other appliance.
- **WHAT TO DO IF YOU SMELL GAS:**
 - Do not try to light any appliance.
 - Do not touch any electrical switch; do not use any phone in your building.
 - Clear the room, building, or area of all occupants.
 - Immediately call your gas supplier from a neighbor's phone. Follow the gas supplier's instructions.
 - If you cannot reach your gas supplier, call the fire department.
- Installation and service must be performed by a qualified installer, service agency, or the gas supplier.

WARNING: Gas leaks cannot always be detected by smell.

Gas suppliers recommend that you use a gas detector approved by UL or CSA.

For more information, contact your gas supplier.

If a gas leak is detected, follow the "What to do if you smell gas" instructions.

In the State of Massachusetts, the following installation instructions apply:

- Installations and repairs must be performed by a qualified or licensed contractor, plumber, or gas fitter qualified or licensed by the State of Massachusetts.
- Acceptable Shut-off Devices: Gas Cocks and Ball Valves installed for use shall be listed.
- A flexible gas connector, when used, must not exceed 4 feet (121.9 cm).

IMPORTANT: The gas installation must conform with local codes, or in the absence of local codes, with the National Fuel Gas Code, ANSI Z223.1/NFPA 54, or the Natural Gas and Propane Installation Code, CSA B149.1.

The dryer must be electrically grounded in accordance with local codes, or in the absence of local codes, with the National Electrical Code, ANSI/NFPA 70, or the Canadian Electrical Code, Part 1, CSA C22.1.

STACKED WASHER/DRYER SAFETY

IMPORTANT SAFETY INSTRUCTIONS

WARNING: To reduce the risk of fire, electric shock, or injury to persons when using the washer/dryer, follow basic precautions, including the following:

- Read all instructions before using the washer/dryer.
- Do not place items exposed to cooking oils in your dryer. Items contaminated with cooking oils may contribute to a chemical reaction that could cause a load to catch fire.
- Do not wash or dry articles that have been previously cleaned in, washed in, soaked in, or spotted with gasoline, dry-cleaning solvents, other flammable, or explosive substances as they give off vapors that could ignite or explode.
- Do not add gasoline, dry-cleaning solvents, or other flammable, or explosive substances to the wash water. These substances give off vapors that could ignite or explode.
- Do not allow children to play on or in the washer/dryer. Close supervision of children is necessary when the washer/dryer is used near children.
- Before the washer/dryer is removed from service or discarded, remove the doors to the washer/dryer compartments.
- Do not reach into the washer/dryer if the tub, agitator or drum is moving.
- Do not install or store the washer/dryer where it will be exposed to water and/or the weather.
- Do not tamper with controls.
- Clean dryer lint screen before or after each load.
- Under certain conditions, hydrogen gas may be produced in a hot water system that has not been used for 2 weeks or more. **HYDROGEN GAS IS EXPLOSIVE.** If the hot water system has not been used for such a period, before using the washing machine, turn on all hot water faucets and let the water flow from each for several minutes. This will release any accumulated hydrogen gas. As the gas is flammable, do not smoke or use an open flame during this time.
- Do not repair or replace any part of the washer/dryer or attempt any servicing unless specifically recommended in this Use and Care Guide or in published user-repair instructions that you understand and have the skills to carry out.
- Do not use fabric softeners or products to eliminate static unless recommended by the manufacturer of the fabric softener or product.
- Do not use heat to dry articles containing foam rubber or similarly textured rubber-like materials.
- Keep area around the exhaust opening and adjacent surrounding areas free from the accumulation of lint, dust, and dirt.
- The interior of the machine and dryer exhaust vent should be cleaned periodically by qualified service personnel.
- See “Electrical Requirements” section of the Installation Instructions booklet for grounding instructions.

SAVE THESE INSTRUCTIONS

Tools Needed:



8" (203 mm) or 10" (254 mm)
Pipe Wrench



8" (203 mm) or 10" (254 mm)
Adjustable Wrench That Opens
to 1" (25 mm)



Flat-Blade Screwdriver



Phillips Screwdriver



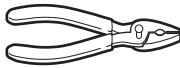
Torx®† T-20 Security
Screwdriver or Bit



1" (25 mm) Hex-Head
Socket Wrench



5/16" Socket Wrench



Pliers
(that open to 1 9/16" [39 mm])



Level



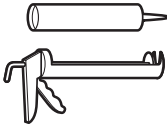
Utility Knife



1/4" (6 mm) Nut Driver



Locking Pliers



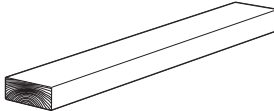
Caulk Gun and Caulk
(for installing new exhaust vent)



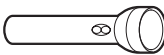
Vent Clamps



Pipe-Joint Compound
Suitable for Gas Type



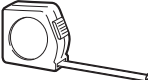
27" (686 mm) Wood Block



Flashlight (optional)



1/2" (13 mm) and 9/16"
(14 mm) Open-End Wrenches



Ruler or Measuring Tape

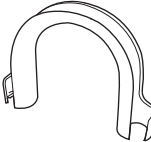
Parts Supplied:



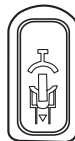
Water Inlet Hoses (2)



Inlet Hose Washers (4)



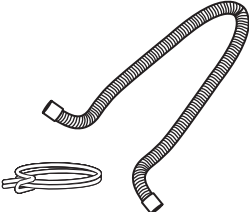
U-Shaped Hose Form



Transit Bolt Hole Plug (4)



Beaded Tie Strap



Drain Hose/Clamp

†® TORX and T20 are registered trademarks of Acument Intellectual Properties, LLC.

ALTERNATE PARTS AND ACCESSORIES

Alternate Parts

Your installation may require additional parts. If you are interested in purchasing one of the items listed here, call the toll-free number in the "If You Need Assistance" section.

If You Have:	You Will Need to Buy:
Overhead sewer	Standard 20 gal. (76 L) 39" (990 mm) tall drain tub or utility sink, sump pump, and connectors (available from local plumbing suppliers)
1" (25 mm) standpipe	2" (51 mm) diameter to 1" (25 mm) diameter Standpipe Adapter, Part Number 3363920 Connector Kit Part Number 285835
Drain hose too short	Extension Drain Hose, Part Number 285863 Connector Kit Part Number 285835
Lint clogged Drain	Drain Protector, Part Number 367031 Connector Kit Part Number 285835
Floor drain system	Siphon break, Part Number 285834 Connector Kit (x2) Part Number 285835 Extension Drain Hose, Part Number 285863
Water faucets beyond reach of fill hoses	Two longer water fill hoses: 6 ft. (1.8 m) 90° bend hose, Part Number 76314 10 ft. (3.0 m), Part Number 350008

Accessories

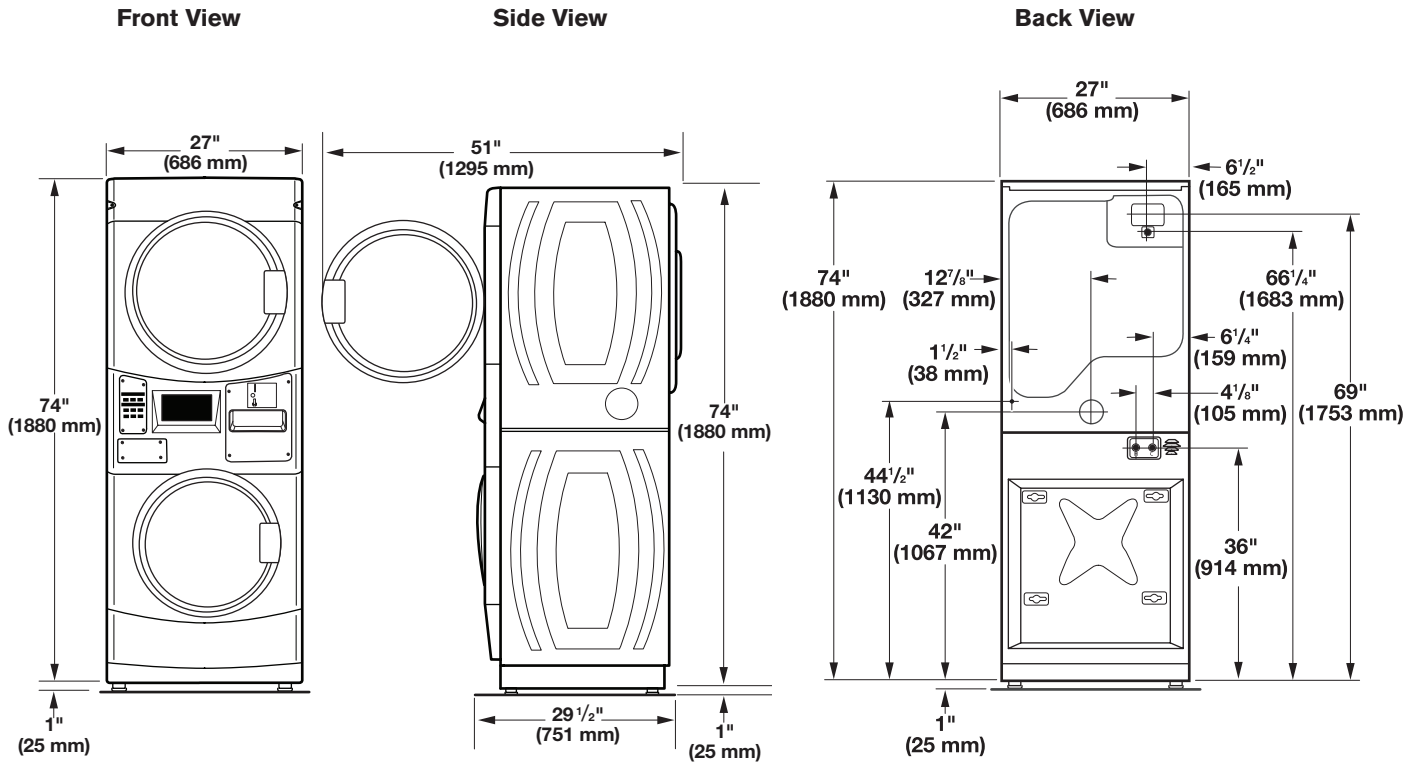
Enhance your washer/dryer with these premium accessories.

For more high-quality items or to order,
call **1-800-901-2042** or visit us at
www.maytag.com/accessories.

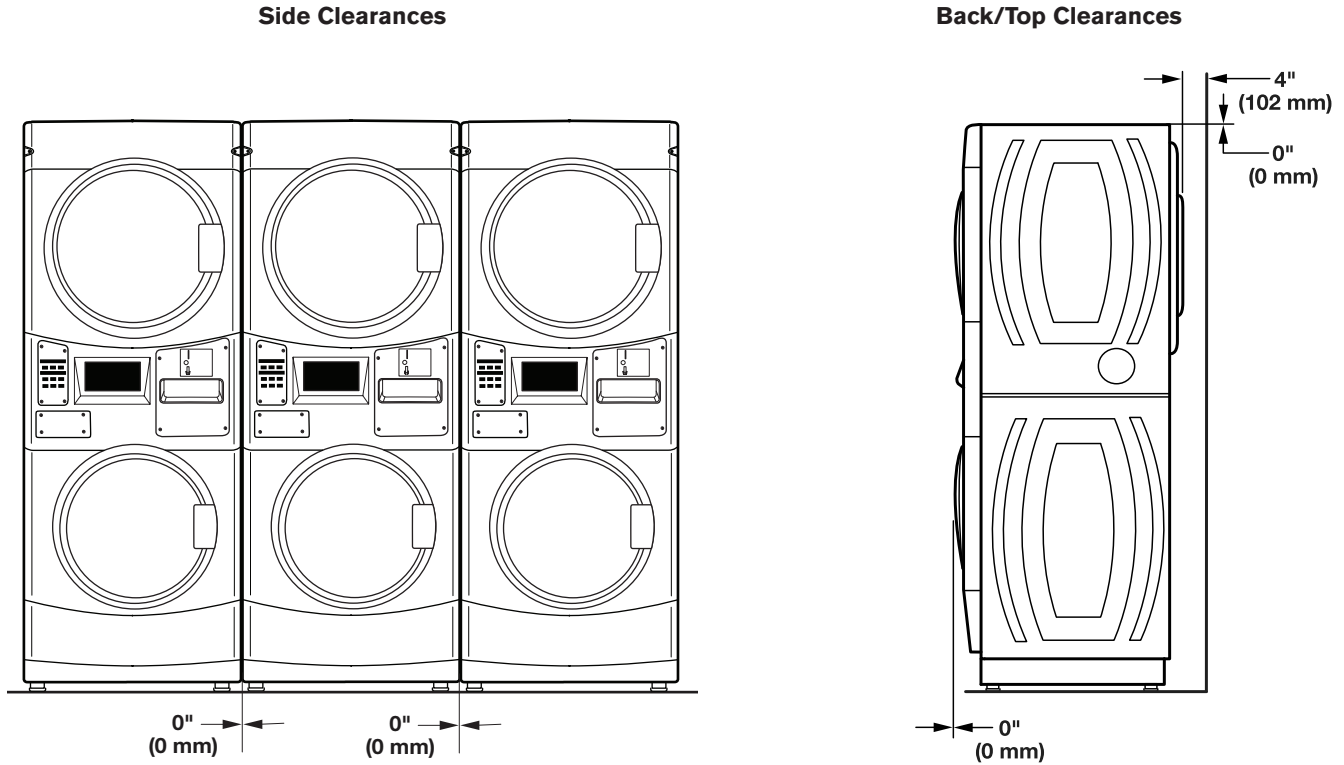
In Canada, call **1-800-807-6777** or visit us at
www.whirlpoolparts.ca

Part Number	Accessory
8212526	Washer drip tray, fits under all
31682	All-purpose appliance cleaner
1903WH	Laundry supply storage cart
279818	3-way dryer venting kit
285834	Siphon break kit

DIMENSIONS/CLEARANCES



Clearances



STACKED WASHER/GAS DRYER INSTALLATION REQUIREMENTS

Stacked Washer/Gas Dryer Location

⚠ WARNING



Explosion Hazard

Keep flammable materials and vapors, such as gasoline, away from dryer.

Do not install in a garage.

Failure to do so can result in death, explosion, or fire.

Selecting the proper location for your washer/dryer improves performance and minimizes noise and possible washer “walk.”

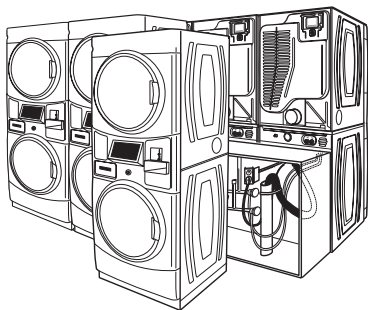
Your washer/dryer can be installed in a basement, laundry room, or recessed area. This washer/dryer is not intended for install in a mobile home or recreational vehicle. See the “Drain System” section for more information.

Companion appliance location requirements should also be considered.

IMPORTANT: Do not install or store the washer/dryer where it will be exposed to the weather. Do not store or operate the washer/dryer in temperatures at or below 32°F (0°C). Some water can remain in the washer and can cause damage in low temperatures. Proper installation is your responsibility.

You will need:

- A water heater set to deliver 120°F (49°C) water to the washer.
- A grounded electrical outlet located within 6 ft. (1.8 m) of where the power cord is attached to the back of the washer. See the “Electrical Requirements” section.
- Hot and cold water faucets located within 4 ft. (1.2 m) of the hot and cold water fill valves, and water pressure of 20–100 psi (137.9–689.6 kPa).
- A level floor with a maximum slope of 1" (25 mm) under entire washer/dryer. Installing the washer/dryer on soft floor surfaces, such as carpets or surfaces with foam backing, is not recommended.
- A sturdy and solid floor to support the washer/dryer with a total weight (water and load) of 450 lbs (204 kg).
- A floor drain under the bulkhead. Prefabricated bulkheads with electrical outlets, water inlet lines, and drain facilities should be used only where local codes permit.



Stacked washer/gas dryer installation clearances:

- The location must be large enough to allow the washer and dryer doors to be fully opened.
- Additional spacing should be considered for ease of installation and servicing. The doors open more than 180°. The washer door is not reversible.
- Additional clearances might be required for wall, door, and floor moldings.
- Additional spacing of 1" (25 mm) on all sides of the washer/dryer is recommended to reduce noise transfer and to improve spin-up performance of the washer.
- Companion appliance spacing should also be considered.

When installing a gas dryer:

IMPORTANT: Observe all governing codes and ordinances.

- Check code requirements: Some codes limit or do not permit installation of clothes dryers in garages, closets, or sleeping quarters. Contact your local building inspector.
- Make sure that lower edges of the cabinet, plus the back and bottom sides of the washer, are free of obstructions to permit adequate clearance of air openings for combustion air. See the “Recessed Area and Closet Installation Instructions” below for minimum spacing requirements.

Recessed Area Installation Instructions

This washer/dryer may be installed in a recessed area. For recessed area installations, minimum clearances can be found on the warning label on the rear of the dryer or in the “Dimensions/Clearances” section.

The installation spacing is in inches and is the minimum allowable. Additional spacing should be considered for ease of installation, servicing, and compliance with local codes and ordinances.

NOTE: The dryer must be exhausted outdoors.

STACKED WASHER/GAS DRYER INSTALLATION REQUIREMENTS

Stacked Washer/Gas Dryer Electrical Requirements

⚠ WARNING



Electrical Shock Hazard

Plug into a grounded 3 prong outlet.

Do not remove ground prong.

Do not use an adapter.

Do not use an extension cord.

Failure to follow these instructions can result in death, fire, or electrical shock.

IMPORTANT: The washer/dryer must be electrically grounded in accordance with local codes and ordinances or, in the absence of local codes, with the National Electrical Code, ANSI/NFPA 70, latest edition, or Canadian Electrical Code, CSA C22.1. If codes permit and a separate ground wire is used, it is recommended that a qualified electrical installer determine that the ground path is adequate.

A copy of the above code standards can be obtained from:

National Fire Protection Association
One Batterymarch Park, Quincy, MA 02269
CSA International
8501 East Pleasant Valley Road
Cleveland, Ohio 44131-5575

- Do not ground to a gas pipe.
- Do not have a fuse in the neutral or ground circuit.
- A 120 volt, 60 Hz, AC only, 15- or 20-amp, fused electrical circuit is required. A time-delay fuse or circuit breaker is also recommended. It is recommended that a separate circuit serving only this washer/dryer be provided.
- This washer/dryer is equipped with a power supply cord having a 3 prong grounding plug.
- To minimize the possibility of shock, the cord must be plugged into a mating, 3 prong, grounding-type outlet, grounded in accordance with local codes and ordinances. If a mating outlet is not available, it is the personal responsibility and obligation of the customer to have the properly grounded outlet installed by a qualified electrician.
- If codes permit and a separate ground wire is used, it is recommended that a qualified electrician determine that the ground path is adequate.
- Check with a qualified electrician if you are not sure the washer/dryer is properly grounded.

Stacked Washer/Gas Dryer Grounding

GROUNDING INSTRUCTIONS

For a grounded, cord-connected washer:

This washer must be grounded. In the event of a malfunction or breakdown, grounding will reduce the risk of electrical shock by providing a path of least resistance for electric current. This washer is equipped with a cord having an equipment-grounding conductor and a grounding plug. The plug must be plugged into an appropriate outlet that is properly installed and grounded in accordance with all local codes and ordinances.

WARNING: Improper connection of the equipment-grounding conductor can result in a risk of electric shock. Check with a qualified electrician or serviceman if you are in doubt as to whether the appliance is properly grounded.

Do not modify the plug provided with the appliance – if it will not fit the outlet, have a proper outlet installed by a qualified electrician.

For a permanently connected washer:

This washer must be connected to a grounded metal, permanent wiring system, or an equipment grounding conductor must be run with the circuit conductors and connected to the equipment-grounding terminal or lead on the appliance.

GROUNDING INSTRUCTIONS

■ For a grounded, cord-connected dryer:

This dryer must be grounded. In the event of malfunction or breakdown, grounding will reduce the risk of electric shock by providing a path of least resistance for electric current. This dryer uses a cord having an equipment-grounding conductor and a grounding plug. The plug must be plugged into an appropriate outlet that is properly installed and grounded in accordance with all local codes and ordinances.

■ For a permanently connected dryer:

This dryer must be connected to a grounded metal, permanent wiring system, or an equipment-grounding conductor must be run with the circuit conductors and connected to the equipment-grounding terminal or lead on the dryer.

WARNING: Improper connection of the equipment-grounding conductor can result in a risk of electric shock. Check with a qualified electrician or service representative or personnel if you are in doubt as to whether the dryer is properly grounded. Do not modify the plug on the power supply cord: if it will not fit the outlet, have a proper outlet installed by a qualified electrician.

SAVE THESE INSTRUCTIONS

STACKED WASHER/GAS DRYER INSTALLATION REQUIREMENTS

Stacked Washer/Gas Dryer Gas Supply

⚠ WARNING



Explosion Hazard

Use a new CSA International approved gas supply line.

Install a shut-off valve.

Securely tighten all gas connections.

If connected to propane, have a qualified person make sure gas pressure does not exceed 13" (33 cm) water column.

**Examples of a qualified person include:
licensed heating personnel,
authorized gas company personnel, and
authorized service personnel.**

Failure to do so can result in death, explosion, or fire.

IMPORTANT: Observe all governing codes and ordinances.

This installation must conform with all local codes and ordinances.

In the absence of local codes, installation must conform with American National Standard, National Fuel Gas Code ANSI Z223.1/NFPA 54 or CAN/CSA B149.

A copy of the above code standards can be obtained from:

National Fire Protection Association
One Batterymarch Park, Quincy, MA 02269
CSA International
8501 East Pleasant Valley Road
Cleveland, Ohio 44131-5575


The design of this washer/dryer has been certified by CSA International for use at altitudes up to 10,000 feet (3,048 m) above sea level at the B.T.U. rating indicated on the model/serial plate. Burner input adjustments are not required when the washer/dryer is operated up to this elevation.

When installed above 10,000 feet (3,048 m), a four percent (4%) reduction of the burner B.T.U. rating shown on the model/serial plate is required for each 1,000 foot (305 m) increase in elevation. For assistance when converting to other gas types and/or installing above 10,000 feet (3,048 m) elevation, contact your local service company.

STACKED WASHER/ELECTRIC DRYER INSTALLATION REQUIREMENTS

Stacked Washer/Electric Dryer Location

⚠ WARNING



Explosion Hazard

Keep flammable materials and vapors, such as gasoline, away from dryer.

Do not install in a garage.

Failure to do so can result in death, explosion, or fire.

Selecting the proper location for your washer/dryer improves performance and minimizes noise and possible washer “walk.”

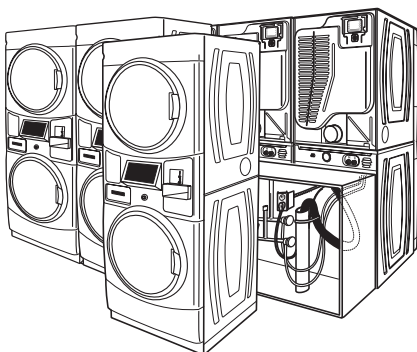
Your washer/dryer can be installed in a basement, laundry room, or recessed area. This washer/dryer is not intended for install in a mobile home or recreational vehicle. See the “Drain System” section.

Companion appliance location requirements should also be considered.

IMPORTANT: Do not install or store the washer/dryer where it will be exposed to the weather. Do not store or operate the washer/dryer in temperatures at or below 32°F (0°C). Some water can remain in the washer and can cause damage in low temperatures. Proper installation is your responsibility.

You will need:

- A water heater set to deliver 120°F (49°C) water to the washer.
- A grounded electrical outlet located within 6 ft. (1.8 m) of where the power cord is attached to the back of the washer. See “Electrical Requirements.”
- Hot and cold water faucets located within 4 ft. (1.2 m) of the hot and cold water fill valves, and water pressure of 20–100 psi (137.9–689.6 kPa).
- A level floor with a maximum slope of 1" (25 mm) under entire washer/dryer. Installing the washer/dryer on soft floor surfaces, such as carpets or surfaces with foam backing, is not recommended.
- A sturdy and solid floor to support the washer/dryer with a total weight (water and load) of 450 lbs (204 kg).
- A floor drain under the bulkhead. Prefabricated bulkheads with electrical outlets, water inlet lines, and drain facilities should be used only where local codes permit.



Stacked washer/electric dryer installation clearances

- The location must be large enough to allow the washer and dryer doors to be fully opened.
- Additional spacing should be considered for ease of installation and servicing. The doors open more than 180°. The washer door is not reversible.
- Additional clearances might be required for wall, door, and floor moldings.
- Additional spacing of 1" (25 mm) on all sides of the washer/dryer is recommended to reduce noise transfer, and improve spin-up performance of washer.
- Companion appliance spacing should also be considered.

Recessed Area and Closet Installation Instructions

This washer/dryer may be installed in a recessed area or closet. For recessed area and closet installations, minimum clearances can be found on the warning label on the rear of the dryer.

The installation spacing is in inches and is the minimum allowable. Additional spacing should be considered for ease of installation, servicing, and compliance with local codes and ordinances.

NOTE: The dryer must be exhausted outdoors.

STACKED WASHER/ELECTRIC DRYER INSTALLATION REQUIREMENTS

Stacked Washer/Electric Dryer Electrical Requirements

Washer Electrical Requirements

⚠ WARNING



Electrical Shock Hazard

Plug into a grounded 3 prong outlet.

Do not remove ground prong.

Do not use an adapter.

Do not use an extension cord.

Failure to follow these instructions can result in death, fire, or electrical shock.

- Do not have a fuse in the neutral or ground circuit.
- This washer/dryer is equipped with a power supply cord having a 3 prong grounding plug.
- To minimize the possibility of shock, the cord must be plugged into a mating, 3 prong, grounding-type outlet, grounded in accordance with local codes and ordinances. If a mating outlet is not available, it is the personal responsibility and obligation of the customer to have the properly grounded outlet installed by a qualified electrician.
- If codes permit and a separate ground wire is used, it is recommended that a qualified electrician determine that the ground path is adequate.
- Check with a qualified electrician if you are not sure the washer is properly grounded.

Stacked Washer/Electric Dryer Grounding

GROUNDING INSTRUCTIONS

For a grounded, cord-connected washer:

This washer must be grounded. In the event of a malfunction or breakdown, grounding will reduce the risk of electrical shock by providing a path of least resistance for electric current. This washer is equipped with a cord having an equipment-grounding conductor and a grounding plug. The plug must be plugged into an appropriate outlet that is properly installed and grounded in accordance with all local codes and ordinances.

WARNING: Improper connection of the equipment-grounding conductor can result in a risk of electric shock. Check with a qualified electrician or serviceman if you are in doubt as to whether the appliance is properly grounded.

Do not modify the plug provided with the appliance – if it will not fit the outlet, have a proper outlet installed by a qualified electrician.

For a permanently connected washer:

This washer must be connected to a grounded metal, permanent wiring system, or an equipment grounding conductor must be run with the circuit conductors and connected to the equipment-grounding terminal or lead on the appliance.

GROUNDING INSTRUCTIONS

■ For a grounded, cord-connected dryer:

This dryer must be grounded. In the event of malfunction or breakdown, grounding will reduce the risk of electric shock by providing a path of least resistance for electric current. This dryer uses a cord having an equipment-grounding conductor and a grounding plug. The plug must be plugged into an appropriate outlet that is properly installed and grounded in accordance with all local codes and ordinances.

■ For a permanently connected dryer:

This dryer must be connected to a grounded metal, permanent wiring system, or an equipment-grounding conductor must be run with the circuit conductors and connected to the equipment-grounding terminal or lead on the dryer.

WARNING: Improper connection of the equipment-grounding conductor can result in a risk of electric shock. Check with a qualified electrician or service representative or personnel if you are in doubt as to whether the dryer is properly grounded. Do not modify the plug on the power supply cord: if it will not fit the outlet, have a proper outlet installed by a qualified electrician.

SAVE THESE INSTRUCTIONS

STACKED WASHER/ELECTRIC DRYER INSTALLATION REQUIREMENTS

Dryer Electrical Requirements

It is your responsibility:

- To contact a qualified electrical installer.
- To be sure that the electrical connection is adequate and in conformance with the National Electrical Code, ANSI/NFPA 70-latest edition and all local codes and ordinances.
- The National Electrical Code requires a 4-wire power supply connection for homes built after 1996, dryer circuits involved in remodeling after 1996, and all mobile home installations.
- A copy of the above code standards can be obtained from: National Fire Protection Association, One Batterymarch Park, Quincy, MA 02269.
- To supply the required 3- or 4-wire, single phase, 240 volt, 60 Hz., AC only electrical supply (or 3 or 4 wire, 120/208 volt electrical supply, if specified on the serial/rating plate) on a separate 30 amp circuit, fused on both sides of the line. A time delay fuse or circuit breaker is recommended. Connect to an individual branch circuit. Do not have a fuse in the neutral or grounding circuit.
- Do not use an extension cord.
- If codes permit and a separate ground wire is used, it is recommended that a qualified electrician determine that the ground path is adequate.

Electrical Connection

To properly install your dryer, you must determine the type of electrical connection you will be using and follow the instructions provided for it here.

- This dryer is manufactured ready to install with a 3-wire electrical supply connection. The neutral ground conductor is permanently connected to the neutral conductor (white wire) within the dryer. If the dryer is installed with a 4-wire electrical supply connection, the neutral ground conductor must be removed from the external ground connector (green screw), and secured under the neutral terminal (center or white wire) of the terminal block. When the neutral ground conductor is secured under the neutral terminal (center or white wire) of the terminal block, the dryer cabinet is isolated from the neutral conductor.
- If local codes do not permit the connection of a neutral ground wire to the neutral wire, see the "Optional 3-wire connection" section.
- A 4-wire power supply connection must be used when the appliance is installed in a location where grounding through the neutral conductor is prohibited. Grounding through the neutral is prohibited for (1) new branch-circuit installations, (2) mobile homes, (3) recreational vehicles, and (4) areas where local codes prohibit grounding through the neutral conductor.

Electric Dryer Power Supply Cord

⚠ WARNING



Fire Hazard

Use a new UL listed 30 amp power supply cord.

Use a UL listed strain relief.

Disconnect power before making electrical connections.

Connect neutral wire (white or center wire) to center terminal.

Ground wire (green or bare wire) must be connected to green ground connector.

Connect remaining 2 supply wires to remaining 2 terminals (gold).

Securely tighten all electrical connections.

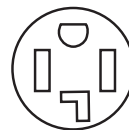
Failure to do so can result in death, fire, or electrical shock.

If using a power supply cord:

Use a UL listed power supply cord kit marked for use with clothes dryers. The kit should contain:

- A UL listed 30 amp power supply cord, rated 240 volt minimum. The cord should be type SRD or SRDT and be at least 4 ft. (1.22 m) long. The wires that connect to the dryer must end in ring terminals or "U" shaped spade terminals with upturned ends.
- A UL listed strain relief.

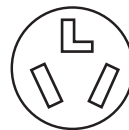
If your outlet looks like this:



**4-wire
receptacle
(14-30R)**

Then choose a 4-wire power supply cord with ring or spade terminals and UL listed strain relief. The 4-wire power supply cord, at least 4 ft. (1.22 m) long, must have four 10-gauge copper wires and match a 4-wire receptacle of NEMA Type 14-30R. The ground wire (ground conductor) may be either green or bare. The neutral conductor must be identified by a white cover.

If your outlet looks like this:



**3-wire
receptacle
(10-30R)**

Then choose a 3-wire power supply cord with ring or spade terminals and UL listed strain relief. The 3-wire power supply cord, at least 4 ft. (1.22 m) long, must have three 10-gauge copper wires and match a 3-wire receptacle of NEMA Type 10-30R.

STACKED WASHER/ELECTRIC DRYER INSTALLATION REQUIREMENTS

Dryer Direct Wire

WARNING



Fire Hazard

Use 10 gauge copper wire.

Use a UL listed strain relief.

Disconnect power before making electrical connections.

Connect neutral wire (white or center wire) to center terminal.

Ground wire (green or bare wire) must be connected to green ground connector.

Connect remaining 2 supply wires to remaining 2 terminals (gold).

Securely tighten all electrical connections.

Failure to do so can result in death, fire, or electrical shock.

If connecting by direct wire:

Power supply cable must match power supply (4-wire or 3-wire) and be:

- Flexible armored cable or nonmetallic sheathed copper cable (with ground wire), covered with flexible metallic conduit. All current-carrying wires must be insulated.
- 10-gauge solid copper wire (do not use aluminum).
- At least 5 ft. (1.52 m) long.

DRYER VENTING REQUIREMENTS

⚠ WARNING



Fire Hazard

Use a heavy metal vent.

Do not use a plastic vent.

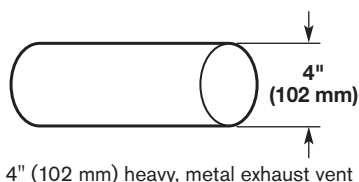
Do not use a metal foil vent.

Failure to follow these instructions can result in death or fire.

WARNING: To reduce the risk of fire, this dryer must be exhausted outdoors.

IMPORTANT: Observe all governing codes and ordinances.

Dryer exhaust must not be connected into any gas vent, chimney, wall, ceiling, attic, crawlspace, or a concealed space of a building. Only rigid or flexible metal vent shall be used for exhausting.



- Only a 4" (102 mm) heavy, metal exhaust vent and clamps may be used.
- Do not use plastic or metal foil vent.

Rigid metal vent:

- Recommended for best drying performance and to avoid crushing and kinking.

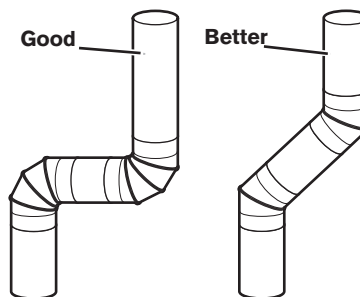
Flexible metal vent: (Acceptable only if accessible to clean)

- Must be fully extended and supported in final dryer location.
- Remove excess to avoid sagging and kinking that may result in reduced airflow and poor performance.
- Do not install in enclosed walls, ceilings, or floors.
- The total length should not exceed 7¾ ft. (2.4 m).

NOTE: If using an existing vent system, clean lint from entire length of the system and make sure exhaust hood is not plugged with lint. Replace plastic or metal foil vents with rigid metal or flexible metal vents. Review the "Vent System Chart" and if necessary, modify existing vent system to achieve best drying performance.

Elbows:

- 45° elbows provide better airflow than 90° elbows.



Clamps:

- Use clamps to seal all joints.
- Exhaust vent must not be connected or secured with screws or other fastening devices that extend into interior of duct and catch lint. Do not use duct tape.



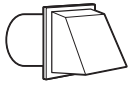
Improper venting can cause moisture and lint to collect indoors, which may result in:

- Moisture damage to woodwork, furniture, paint, wallpaper, carpets, etc.
- Housecleaning problems and health problems.

DRYER VENTING REQUIREMENTS

Vent Hoods

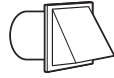
4" (102 mm) Diameter Exhaust Hoods



box hood

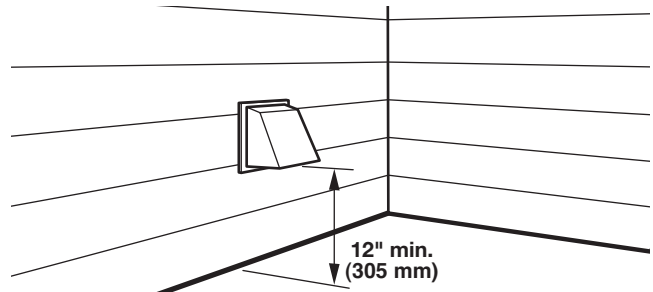


louvered hood



angled hood

Exhaust hood must be at least 12" (305 mm) from the ground or any object that may be in the path of the exhaust (such as flowers, rocks, bushes, or snow).



Vent System Length

Maximum Vent Length/Vent Connection

Maximum length of vent system depends upon the type of vent used, number of elbows, and type of exhaust hood.

Vent System Chart (Rigid Metal Vent)

No. of 90° Turns	Box and Louvered Hoods	Angled Hood
0	135 ft. (41.2 m)	129 ft. (39.3 m)
1	125 ft. (38.1 m)	119 ft. (36.3 m)
2	115 ft. (35.1 m)	109 ft. (33.2 m)
3	106 ft. (32.3 m)	100 ft. (30.5 m)
4	98 ft. (29.9 m)	92 ft. (28.0 m)

For vent systems not covered by the vent specification chart, see your parts distributor.

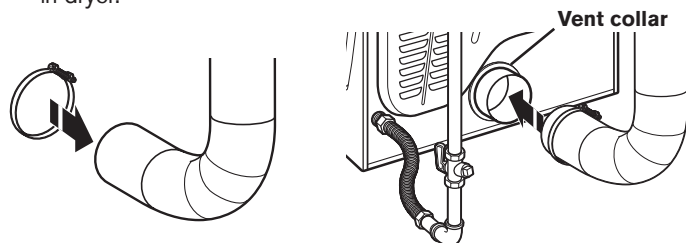
Provision must be made for enough air for combustion and ventilation. (Check governing codes and ordinances.) See the "Recessed Area and Closet Installation Instructions" in the "Stacked Washer/Gas Dryer Location" and "Stacked Washer/Electric Dryer Location" sections.

A 4" (102 mm) outlet hood is preferred. However, a 2½" (64 mm) outlet exhaust hood may be used. A 2½" (64 mm) outlet creates greater back pressure than other hood types.

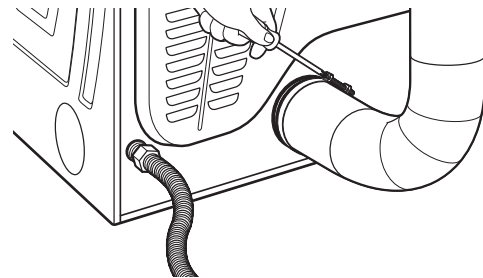
For permanent installation, a stationary vent system is required.

Connect Vent

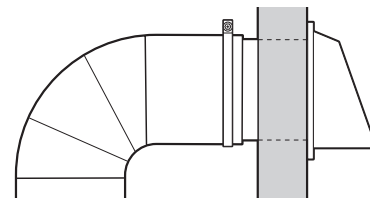
1. If connecting to existing vent, make sure the vent is clean.
2. Using a 4" (102 mm) clamp, connect vent to exhaust outlet in dryer.



3. Tighten hose clamp with Phillips screwdriver.



4. Make sure the vent is secured to exhaust hood with a 4" (102 mm) clamp.



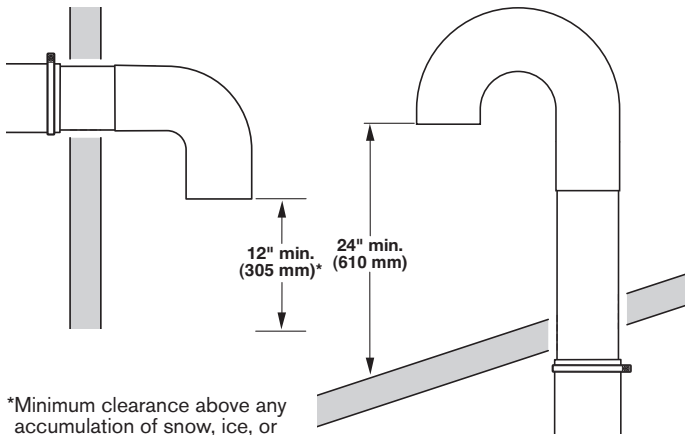
5. Move dryer into final position. Do not crush or kink vent. Make sure dryer is level.

NOTE: Do not remove vent collar.

DRYER VENTING REQUIREMENTS

If an Exhaust Hood Cannot be Used

The outside end of main vent should have a sweep elbow directed downward.



If main vent travels vertically through the roof, rather than through wall, install a 180° sweep elbow on end of vent at least 2 ft. (610 mm) above surface of roof.

The opening in wall or roof shall have a diameter 1/2" (13 mm) larger than vent diameter. Vent should be centered in opening.

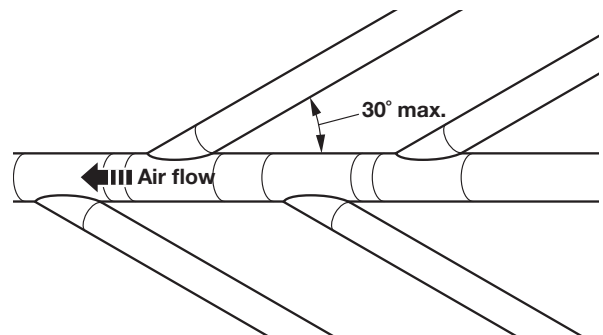
Do not install screening over end of vent for best performance.

Multiple Dryer Venting

A main vent can be used for venting a group of dryers. The main vent should be sized to remove 200 CFM of air per dryer. Large-capacity lint screens of proper design may be used in main vent if checked and cleaned frequently. The room where the dryers are located should have make-up air equal to or greater than CFM of all the dryers in the room.

Back-draft Damper Kit, Part No. 3391910, is available from your distributor and should be installed in the vent of each dryer to keep exhausted air from returning into dryers and to keep exhaust in balance within main vent. Unobstructed return air openings are required.

Each vent should enter the main vent at an angle pointing in the direction of the airflow. Vents entering from the opposite side should be staggered to reduce the exhausted air from interfering with the other vents.



The maximum angle of each vent entering the main vent should be no more than 30°.

DRYER GAS SUPPLY REQUIREMENTS

Type of Gas

This dryer is equipped for use with natural gas. It is design-certified by CSA International for propane and butane gases with appropriate conversion. No attempt shall be made to convert dryer from gas specified on serial/rating plate for use with a different gas without consulting the serving gas supplier.

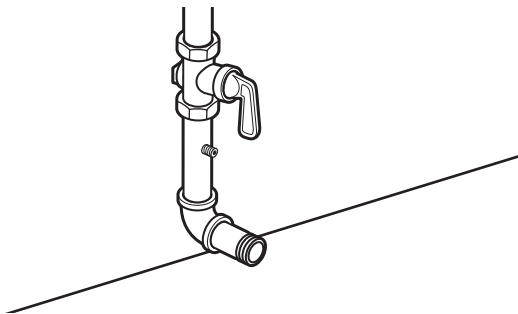
Conversion must be done by a qualified service technician.

Gas conversion kit part numbers are listed on gas valve burner base.

Gas Supply Line

Recommended Method

Provide a gas supply line of 1/2" (13 mm) rigid (IPS) pipe to dryer location. Pipe joint compounds that resist action of propane gas must be used. Do not use TEFLON^{®†} tape. With propage gas, piping or tubing size can be 1/2" (13 mm) minimum. Usually, propane gas suppliers determine size and materials used in the system.



Gas Supply Pressure Testing

A 1/8" (3 mm) NPT minimum plugged tapping, accessible for gauge testing, must be installed immediately downstream of the installed shut-off valve to the dryer (as shown above). The dryer must be disconnected from the gas supply piping system during any pressure testing of the system at test pressures in excess of 1/2" psig (352 kg/m²).

Alternate Method

The gas supply may also be connected using 3/8" (10 mm) approved copper or aluminum tubing. If the total length of the supply line is more than 20 ft. (6.1 m), larger tubing will be required.

If using natural gas, do not use copper tubing. Pipe joint compounds that resist action of type of gas supplied must be used.

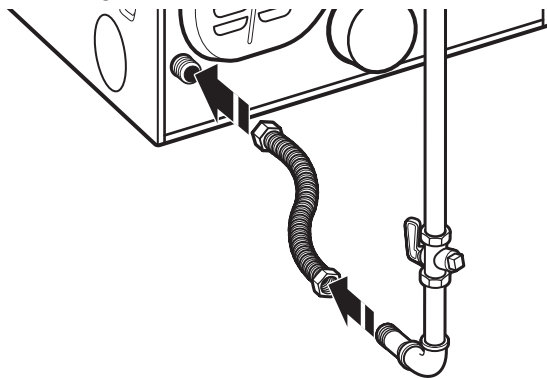
Shut-off valve required

The supply line must be equipped with a manual shut-off valve installed within 6 ft. (1.8 m) of dryer in accordance with National Fuel Gas Code, ANSI Z223.1. This valve should be located in same room as dryer. It should be in a location that allows ease of opening and closing. Do not block access to shut-off valve. In Canada, an individual manual shut-off valve must be installed in accordance with the B149 installation codes CAN/CGA B149.1 and CAN/CGA B149.2.

Flexible Metal Appliance Connector

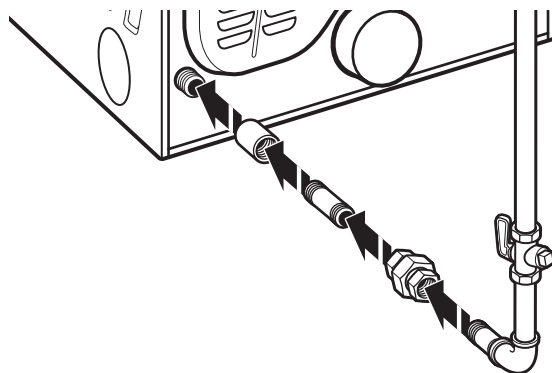
It is recommended that a new flexible stainless steel gas line, design-certified by CSA International, be used for connecting the dryer to the gas supply line. (The gas pipe which extends through the lower rear of the dryer is provided with 3/8" (10 mm) male pipe thread.)

NOTE: Do not kink or damage the flexible stainless steel gas line when moving the door.



Rigid Pipe Connection

The rigid pipe connection requires a combination of pipe fittings to obtain an in-line connection to dryer.



†®TEFLON is a registered trademark of Chemours.

INSTALLING STACKED WASHER/DRYER

Remove Transport System

NOTE: Slide washer/dryer onto cardboard or hardboard before moving to avoid damaging floor covering.

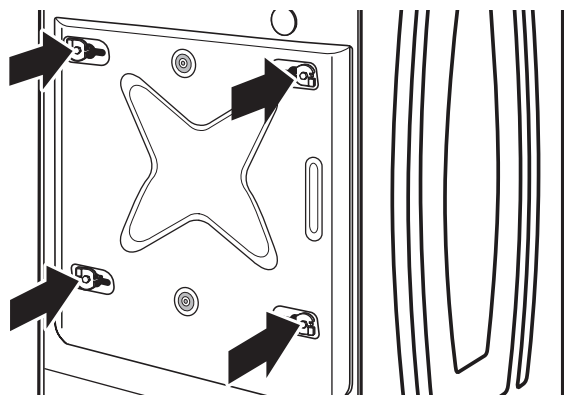
⚠ WARNING

Excessive Weight Hazard

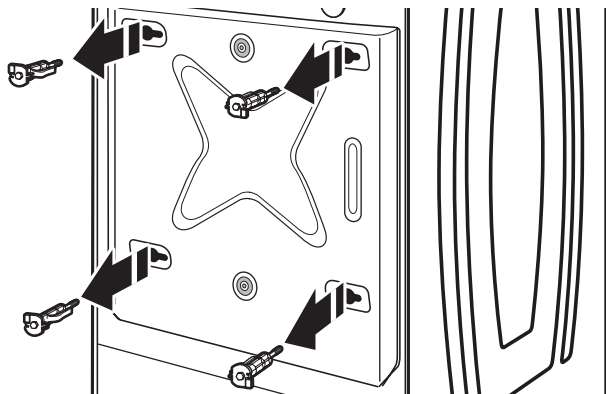
**Use two or more people to move and install washer/dryer.
Failure to do so can result in back or other injury.**

IMPORTANT: Position the washer/dryer so that the rear of the washer is within approximately 3 ft. (900 mm) of its final location. There are four shipping bolts in the rear panel of the washer that support the suspension system during transportation. These bolts also retain the power cord inside the washer until the bolts are removed.

1. Keep the washer/dryer in the upright position while removing the shipping bolts.
2. Using a 1/2" (13 mm) wrench, loosen each of the bolts.

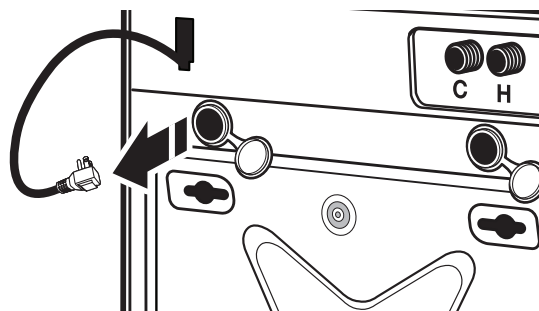
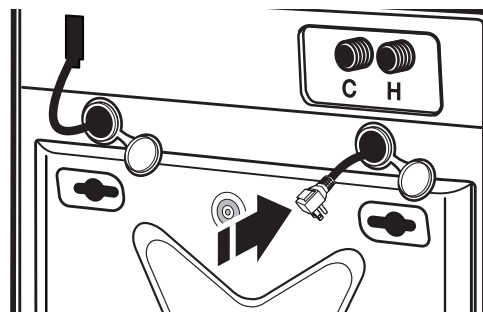


3. Once the bolt is loose, move it to the center of the hole and completely pull out the bolt, including the plastic spacer covering the bolt. Once all four bolts are removed, discard the bolts and spacers.

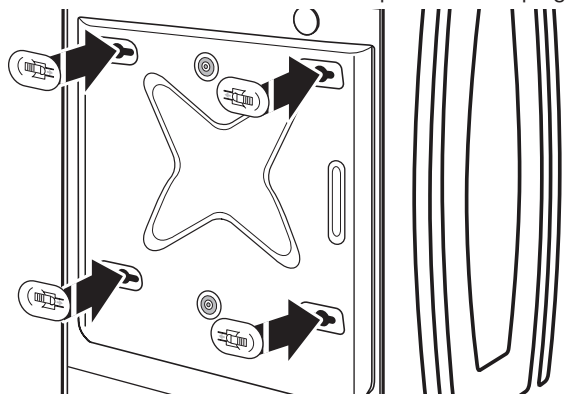


4. Models with separate washer power cords: Push the power cord plug into the opening on the right side of the rear panel and pull the power cord through the opening on the left side of the rear panel and close holes with the attached cap. Do not pull plug end of power cord through the right side hole.

NOTE: To avoid damage to internal washer parts or the power cord, if the cord does not pull out of the washer rear panel easily, do not force it. Remove the washer rear panel and guide the power cord around the obstruction and out the hole on the left side of the rear panel.



5. Close the bolt holes with the four transport bolt hole plugs.

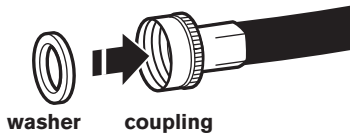


IMPORTANT: If the washer/dryer is to be transported, call your product distributor or installer. To avoid suspension and structural damage, your washer/dryer must be properly set up for relocation by a trained professional.

INSTALLING STACKED WASHER/DRYER

Connect Inlet Hoses

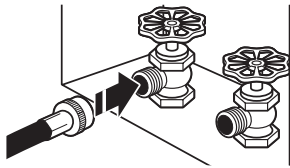
Insert new hose washers (supplied) into each end of the inlet hoses. Firmly seat the washers in the couplings.



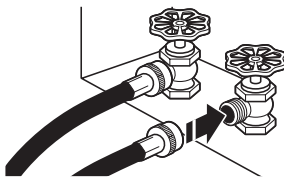
Connect Inlet Hoses to Water Faucets

Make sure the washer drum is empty.

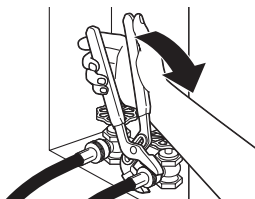
1. Attach a hose to the hot water faucet. Screw on coupling by hand until it is seated on the washer.



2. Attach a hose to the cold water faucet. Screw on coupling by hand until it is seated on the washer.



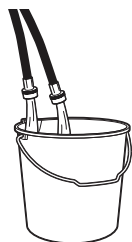
3. Using pliers, tighten the couplings with an additional two-thirds turn.



NOTE: Do not overtighten or use tape or sealants on the valve. Damage to the valves can result.

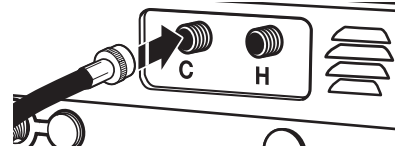
Clear Water Lines

- Run water through both faucets and inlet hoses, into a laundry tub, drainpipe, or bucket, to get rid of particles in the water lines that might clog the inlet valve screens.
- Check the temperature of the water to make sure that the hot water hose is connected to the hot water faucet and that the cold water hose is connected to the cold water faucet.

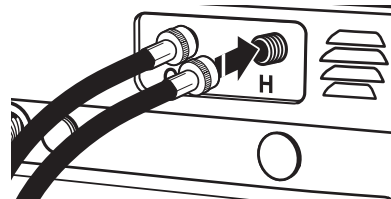


Connect Inlet Hoses to Washer

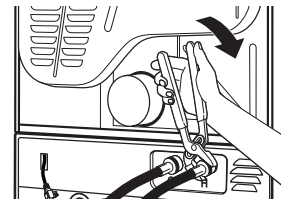
1. Attach the cold water hose to the washer's cold water inlet valve. Screw on coupling by hand until it is seated on the washer.



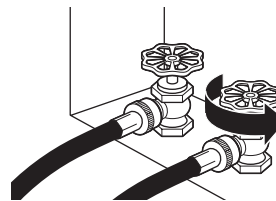
2. Attach the hot water hose to the washer's hot water inlet valve. Screw on coupling by hand until it is seated on the washer.



3. Using pliers, tighten the couplings with an additional two-thirds turn.



4. Turn on the water faucets completely and check for leaks.



NOTE: Replace inlet hoses after 5 years of use to reduce the risk of hose failure. Record hose installation or replacement dates on the hoses for future reference. Periodically inspect and replace hoses if bulges, kinks, cuts, wear, or leaks are found.

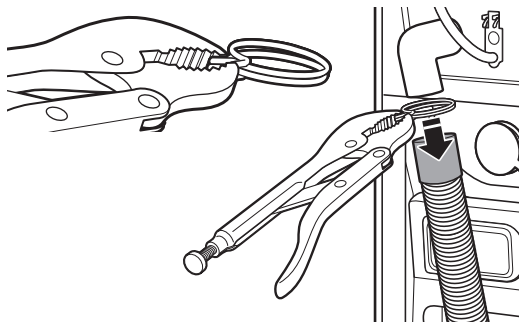
INSTALLING STACKED WASHER/DRYER

Route Drain Hose

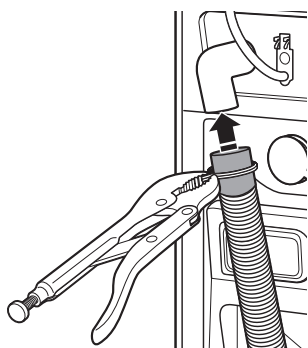
Proper routing of the drain hose avoids damage to your floor due to water leakage. Read and follow these instructions.

Remove drain hose from the washer drum

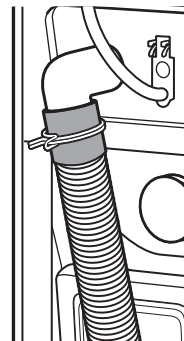
1. Using locking pliers, squeeze hose clamp tabs together and insert over the end of the drain hose.



2. Slide the drain hose onto the washer connection.



3. Once the drain hose is in place, release the pliers.



4. The washer drain system can be installed using a floor drain, wall standpipe, floor standpipe, or laundry tub.

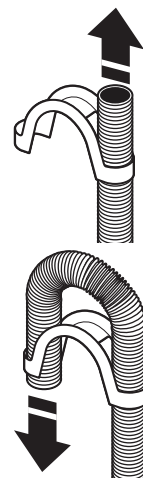
Laundry tub drain or standpipe drain

Connect the drain hose form to the corrugated drain hose.

Snap either end of the drain hose form to the drain hose at the point where the corrugation begins.

Bend drain hose over drain hose form and snap into place.

NOTE: Hose must not extend more than 1" (25 mm) past the end of the U bend.



To keep drain water from going back into the washer:

- Do not straighten the drain hose, do not force excess drain hose into standpipe. Hose should be secure, but loose enough to provide a gap for air.
- Do not lay excess hose on the bottom of the laundry tub.

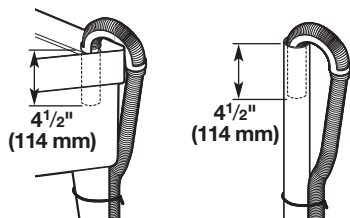
Floor drain

You may need additional parts. See the "Alternate Parts" section.

Secure Drain Hose

1. Drape the power cord over the washer top.
2. Move the washer to its final location.
3. Place the drain hose in the laundry tub or standpipe, as shown.

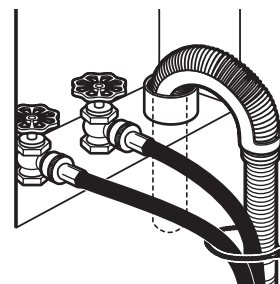
4. Secure the drain hose using the supplied beaded tie strap.



5. If the washer faucets and the drain standpipe are recessed, put the hooked end of the drain hose in the standpipe as shown.

NOTES:

- Do not force excess drain hose back into the rear of the washer.
- To avoid siphoning, do not seal the drain hose into the standpipe.



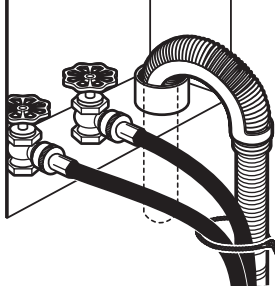
WASHER DRAIN SYSTEM

The washer can be installed using the standpipe drain system (floor or wall), the laundry tub drain system, or the floor drain system.

Standpipe drain system – wall or floor

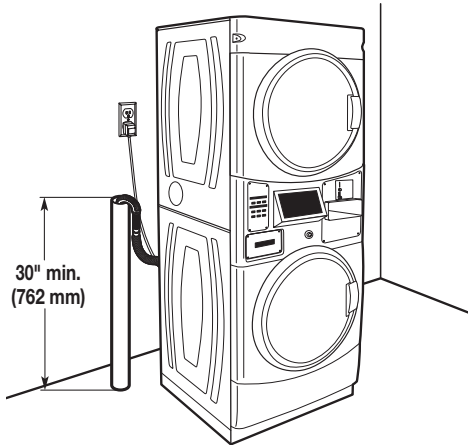
The standpipe drain requires a minimum diameter standpipe of 2" (50 mm). The minimum carry-away capacity can be no less than 10 gal. (38 L) per minute.

Wall



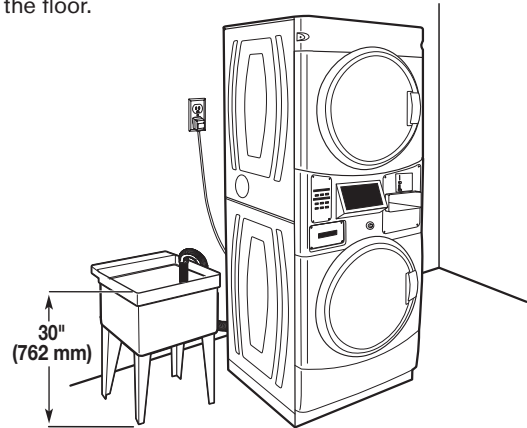
The top of the standpipe must be at least 30" (762 mm) high and no higher than 96" (2.4 m) from the bottom of the washer.

Floor



Laundry tub drain system

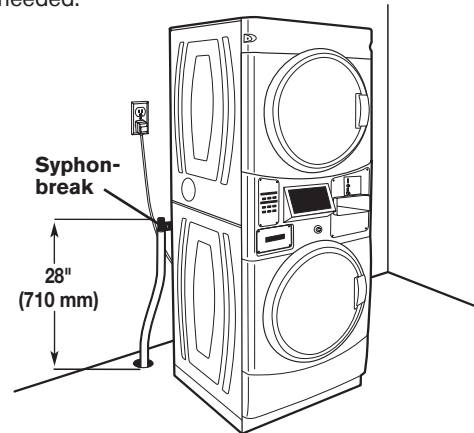
The laundry tub needs a minimum 20 gal. (76 L) capacity. The top of the laundry tub must be at least 30" (762 mm) above the floor.



Floor drain system

The floor drain system requires a siphon break that may be purchased separately.

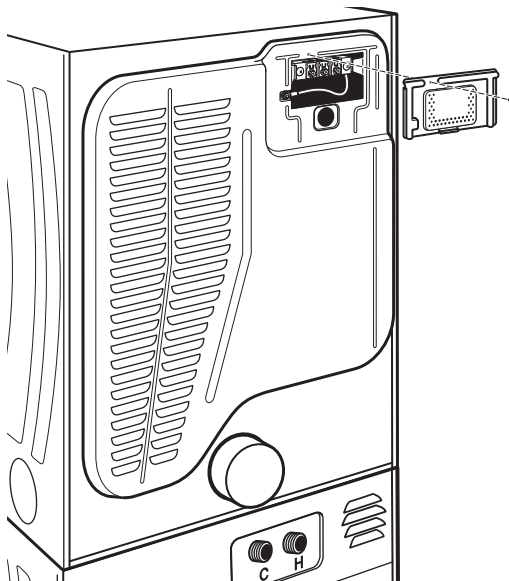
The siphon break (Part Number 285834) must be a minimum of 28" (710 mm) from the bottom of the washer. Additional hoses might be needed.



ELECTRIC DRYER ELECTRICAL CONNECTIONS

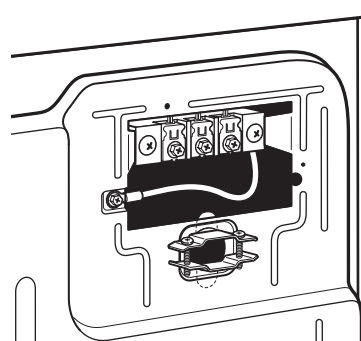
Strain Relief

Remove Terminal Block Cover

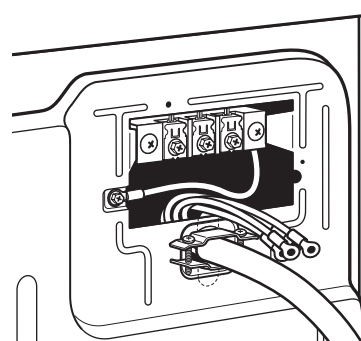


Power Supply Cord Strain Relief

1. Insert strain relief.



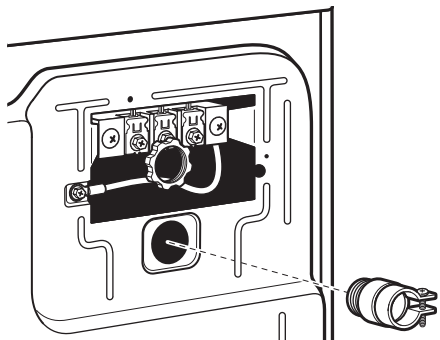
2. Insert power cord into strain relief.



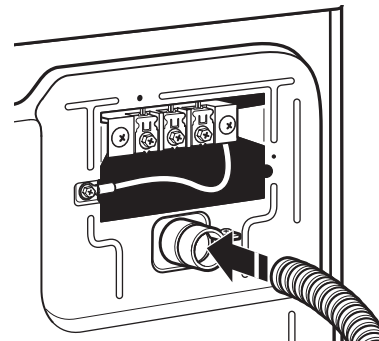
Strain Relief (Direct Wire)

Direct Wire Strain Relief

1. Insert strain relief.



2. Insert conduit into strain relief and tighten clamp.

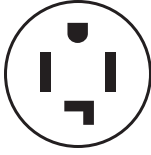


ELECTRIC DRYER ELECTRICAL CONNECTIONS

Connection Options

Power Cord

4-wire receptacle (NEMA Type 14-30R)

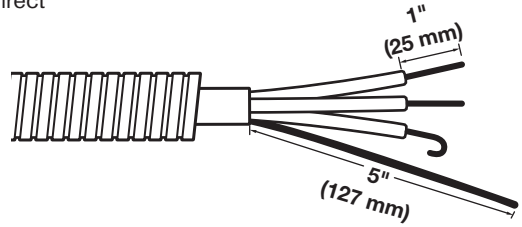


3-wire receptacle (NEMA Type 10-30R)

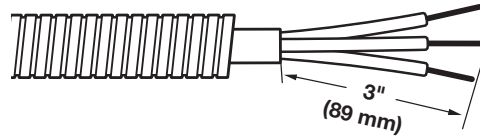


Direct Wire

4-wire direct



3-wire direct



Connecting 4-Wire Connection: Power Supply Cord

IMPORTANT: A 4-wire connection is required for mobile homes and where local codes do not permit the use of 3-wire connections.

Standard Power Supply Cord Connectors



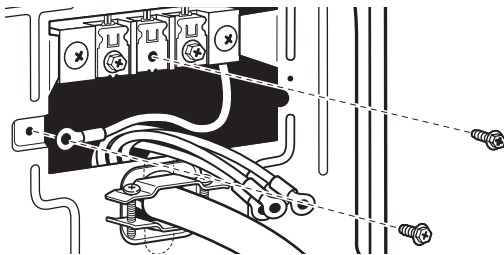
Flanged spade connector



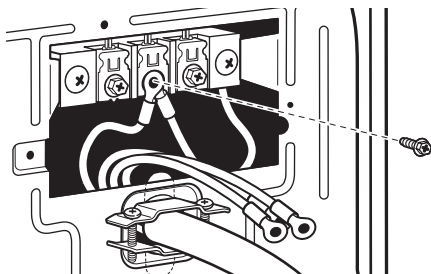
Ring Connector

Connecting Ground and Neutral Wires

1. Remove center terminal block screw and the ground wire by removing the external ground connector screw.

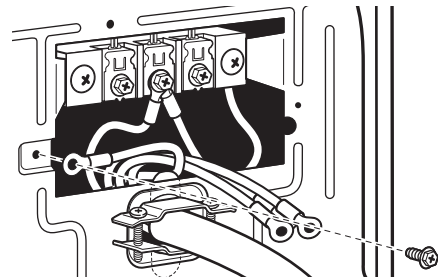


2. Connect ground and neutral wire to center terminal block.



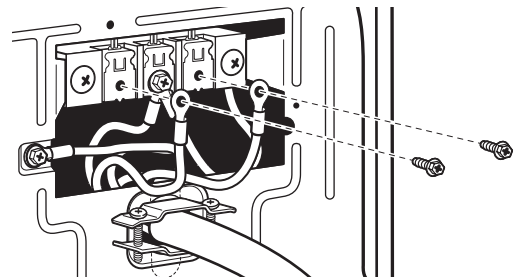
Connecting Direct Wire Ground

3. Connect ground wire (green or bare) with external ground connector screw.



Connecting Remaining Wires

4. Connect remaining wires with outer terminal block screws.



ELECTRIC DRYER ELECTRICAL CONNECTIONS

Connecting 3-Wire Connection: Power Supply Cord

Standard Power Cord Connectors



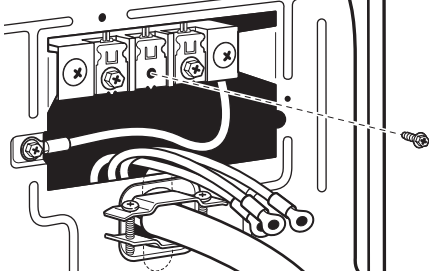
Flanged spade connector



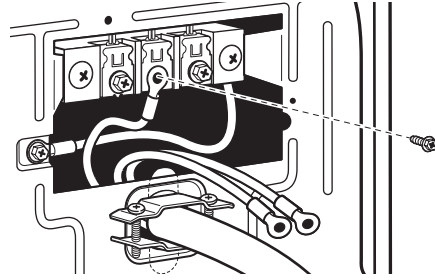
Ring Connector

Connecting Neutral Wire

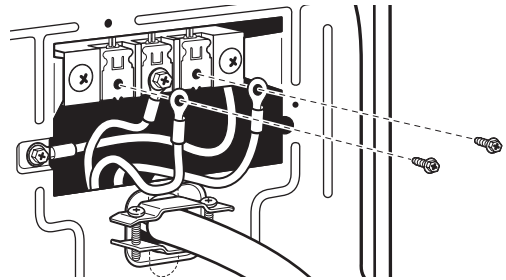
1. Loosen or remove center terminal block screw.



2. Connect neutral wire to center terminal block.



3. Connect remaining wires with outer terminal block screws.



Connecting 4-Wire Connection: Direct Wire

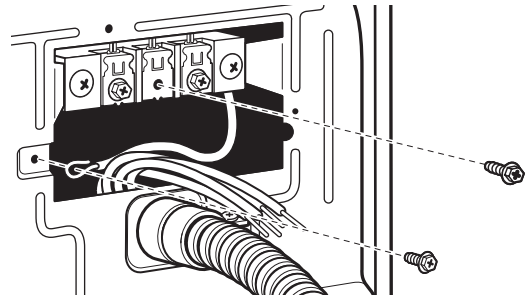
IMPORTANT: A 4-wire connection is required for mobile homes and where local codes do not permit the use of 3-wire connections.

Direct wire cable must have 5 ft. (1.52 m) of extra length so dryer can be moved if needed.

Strip 5" (127 mm) of outer covering from end of cable, leaving bare ground wire at 5" (127 mm). Cut 1½" (38 mm) from three remaining wires. Strip insulation back 1" (25 mm). Shape ends of wires into a hook shape.

Connecting Ground and Neutral Wires

1. Remove center terminal block screw and the ground wire by removing the external ground connector screw.

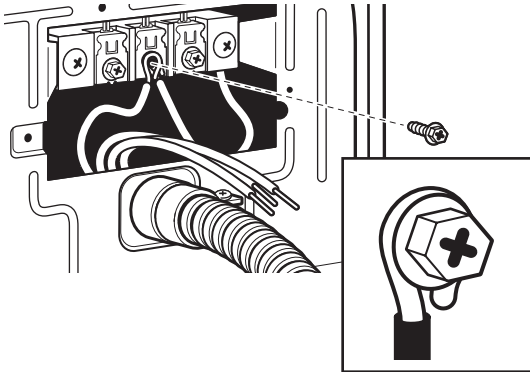


ELECTRIC DRYER ELECTRICAL CONNECTIONS

Connecting 4-Wire Connection: Direct Wire (cont.)

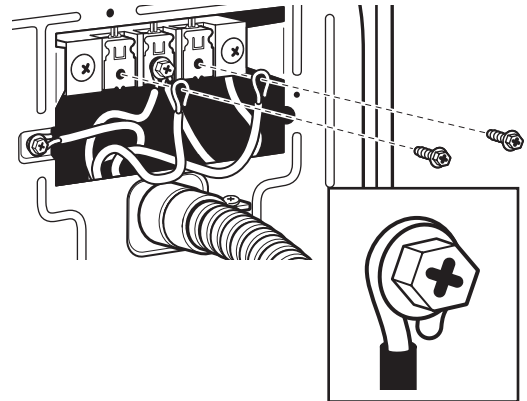
Connecting Ground and Neutral Wires (cont.)

2. Connect ground and neutral wire to center terminal block.



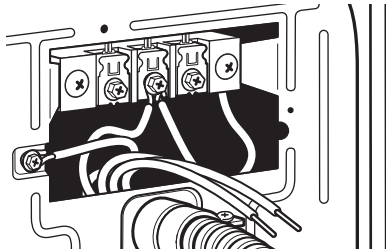
Connecting Remaining Wires

4. Connect remaining wires to outer terminal block.



Connecting Direct Wire Ground

3. Connect ground wire (green or bare) with external ground connector screw.



Connecting 3-Wire Connection: Direct Wire

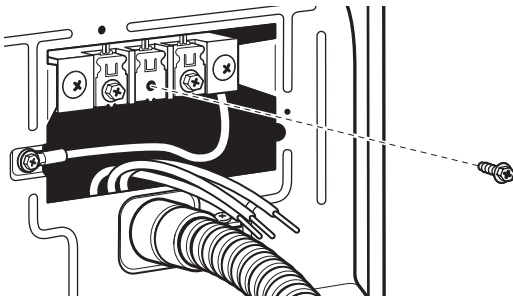
Use where local codes permit connecting cabinet-ground conductor to neutral wire.

Direct wire cable must have 5 ft. (1.52 m) of extra length so dryer can be moved if needed.

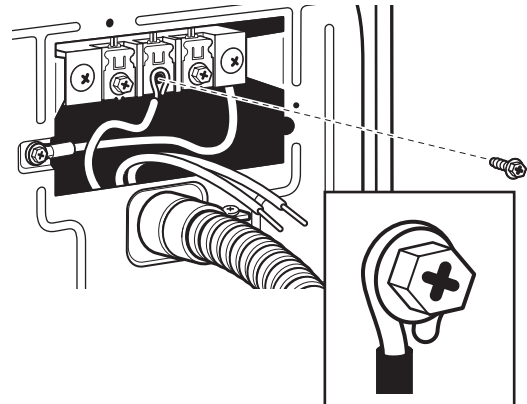
Strip 3½" (89 mm) of outer covering from end of cable. Strip insulation back 1" (25 mm). If using 3-wire cable with ground wire, cut bare wire even with outer covering. Shape ends of wires into a hook shape.

Connecting Neutral Wire

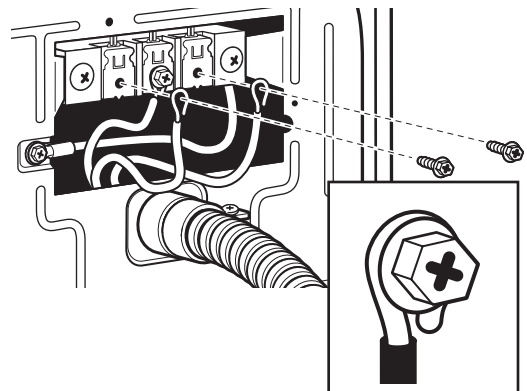
1. Loosen or remove center terminal block screw.



2. Connect neutral wire to center terminal block.



3. Connect remaining wires to outer terminal block.



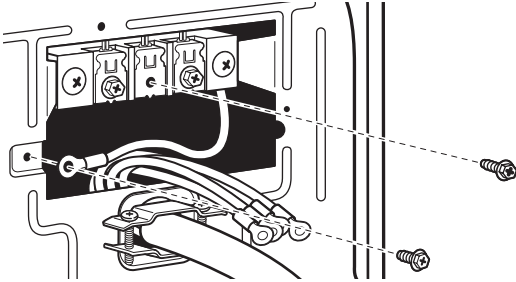
ELECTRIC DRYER ELECTRICAL CONNECTIONS

Connecting 3-Wire Connection: Optional

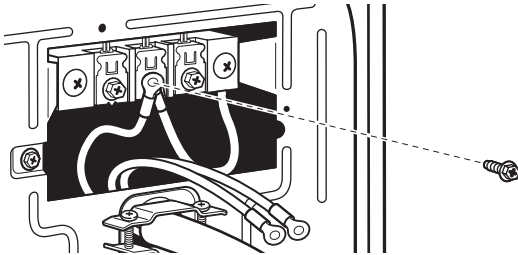
Use for direct wire or power supply cord where local codes do not permit connecting cabinet-ground conductor to neutral wire.

Connecting Neutral Wire

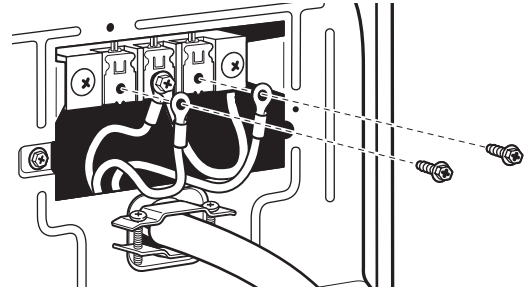
1. Remove center terminal block screw. Also remove neutral ground wire by removing external ground conductor screw.



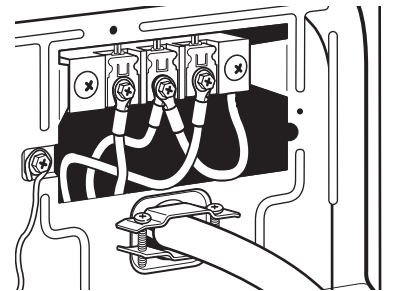
2. Connect neutral wire and neutral wire of power supply cord/cable to center terminal block.



3. Connect remaining wires to outer terminal block.



4. Connect a separate copper ground wire from the external ground conductor to an adequate ground.



LEVELING

Leveling Stacked Washer/Dryer

Leveling your washer/dryer properly reduces excess noise and vibration.

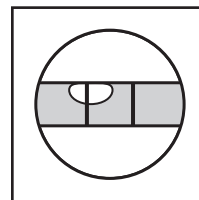
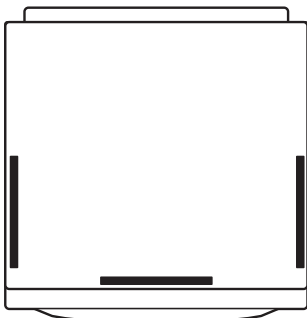
⚠ WARNING

Excessive Weight Hazard

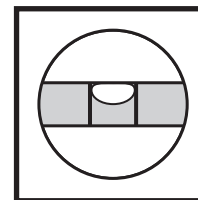
Use two or more people to move and install washer/dryer.

Failure to do so can result in back or other injury.

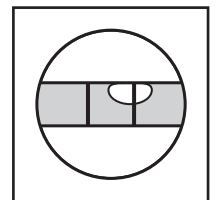
1. Remove cardboard from beneath washer/dryer. Place a level on top edges of washer/dryer, checking each side and front. If not level, tip washer/dryer and adjust feet up or down as shown in Steps 3 and 4, repeating as necessary.



Not Level



LEVEL

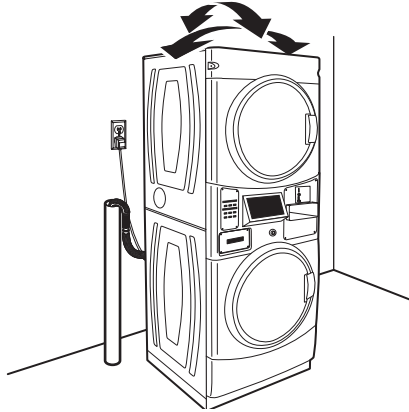


Not Level

LEVELING

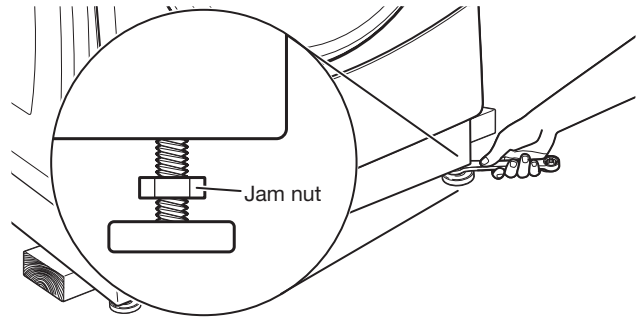
Leveling Stacked Washer/Dryer (cont.)

2. Grip washer/dryer from top and rock back and forth, making sure all four feet are firmly on floor. Repeat, rocking washer/dryer from side to side. If washer/dryer rocks, go to Step 3 and adjust leveling feet. If all four feet are in firm contact with floor, go to Step 4.



3. If washer/dryer is not level, use a 9/16" or 14 mm open-end or adjustable wrench to turn jam nuts clockwise (as viewed from above) on feet until they are about 1/2" (13 mm) from the washer/dryer cabinet. Then turn the leveling foot counterclockwise to lower the washer/dryer or clockwise to raise the washer/dryer. Recheck levelness of washer/dryer and that all four feet are firmly in contact with the floor. Repeat as needed.

HELPFUL TIP: You may want to prop up front of washer/dryer about 4" (102 mm) with a wood block or similar object that will support weight of washer/dryer.



4. When washer/dryer is level and all four feet are firmly in contact with the floor, use a 9/16" or 14 mm open-end or adjustable wrench to turn jam nuts counterclockwise (as viewed from above) on leveling feet tightly against washer/dryer cabinet.

HELPFUL TIP: You may want to prop washer/dryer with wooden block.

Complete Installation

1. Check the electrical requirements. Be sure that you have the correct electrical supply and the recommended grounding method. See the "Electrical Requirements" section.
2. Check that all parts are now installed. If there is an extra part, go back through the steps.
3. Check that you have all of your tools.
4. Dispose of/recycle all packaging materials.
5. Check that the water faucets are on.
6. Check for leaks around faucets and inlet hoses.

8. To test and to clean your washer, measure 1/2 the detergent manufacturer's recommended amount of High Efficiency (HE) detergent for a medium-size load. Pour the detergent into the detergent dispenser. Select any cycle and allow the washer to complete one whole cycle.

9. Check dryer operation. Using a full heat cycle, let the dryer run for at least five minutes. Dryer will stop when time is used up.

NOTE: Dryer door must be closed for dryer to operate. When door is open, dryer stops, but timer continues to run. To restart dryer, close door and push cycle button.

If the burner does not ignite and you can feel no heat inside the dryer, shut off dryer for five minutes. Check that all supply valve controls are in "on" position and that the electrical cord is plugged in. Repeat five-minute test.

⚠ WARNING



Electrical Shock Hazard

Plug into a grounded 3 prong outlet.

Do not remove ground prong.

Do not use an adapter.

Do not use an extension cord.

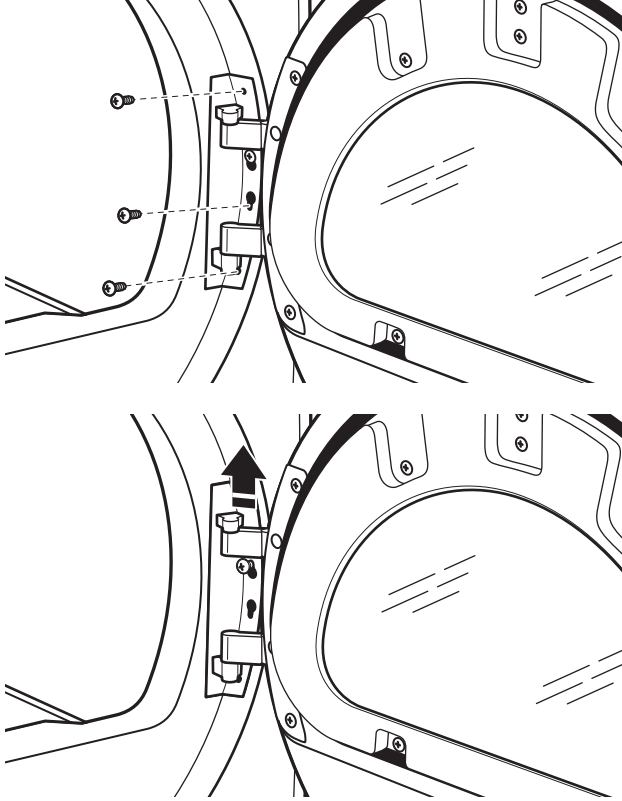
Failure to follow these instructions can result in death, fire, or electrical shock.

7. Plug into a grounded outlet, or connect power.

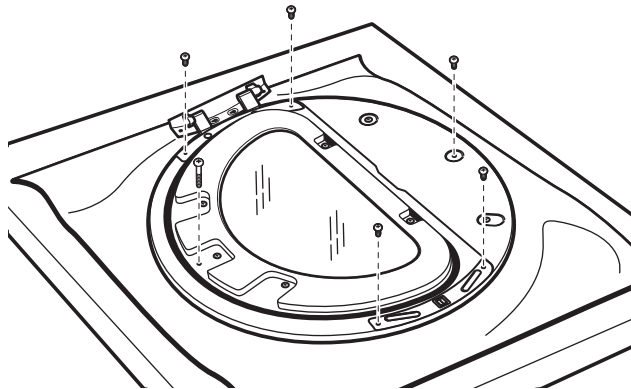
REVERSING DRYER DOOR SWING (OPTIONAL)

Remove the Door Assembly

1. Place a towel or soft cloth on top of dryer or work space to avoid scratching of the surface.
2. Remove three of the four screws that hold the door hinge on the front panel of the dryer. Partially loosen the remaining screw with keyhole opening and lift the door off the screw.

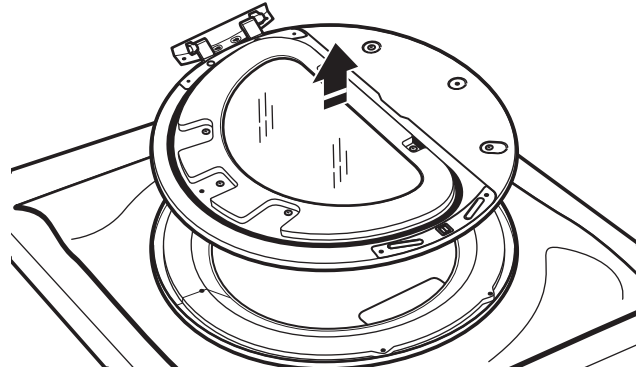


3. Lay the door assembly on a previously prepared flat surface with the inside (inner door assembly) facing up, and remove six phillips-head screws to release outer door assembly from inner door assembly.

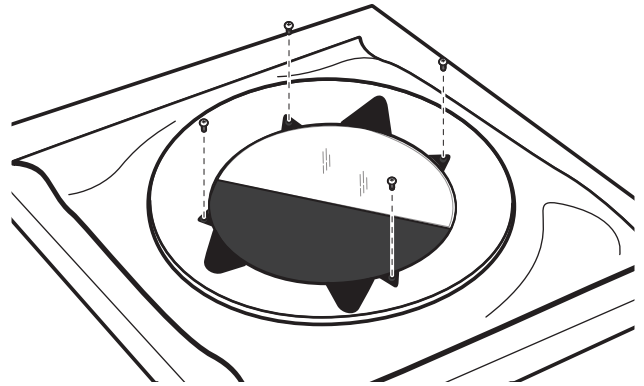


NOTE: It is important that you remove only the six indicated screws.

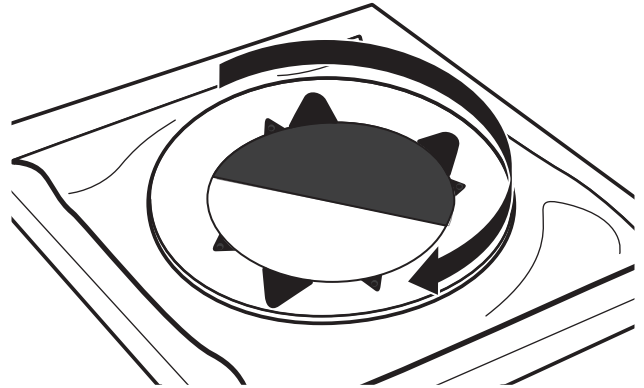
4. Lift the inner door assembly off outer door assembly.



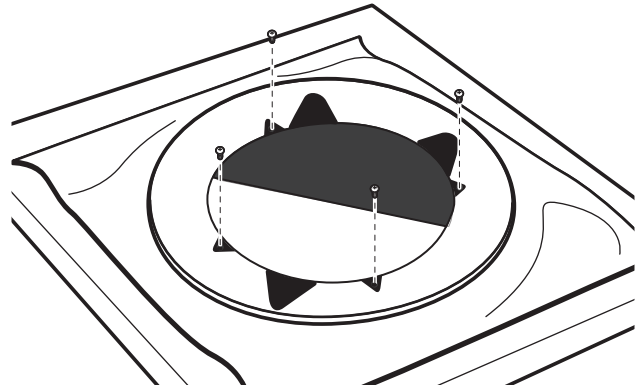
5. Remove four Phillips-head screws to release center insert from outer door ring.



6. Lift and rotate center insert 180 degrees.



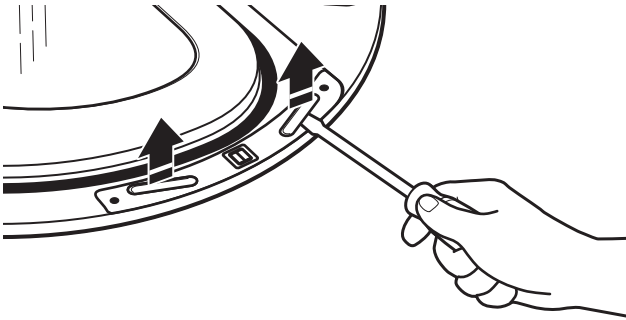
7. Reassemble the center insert and outer door ring with the four screws



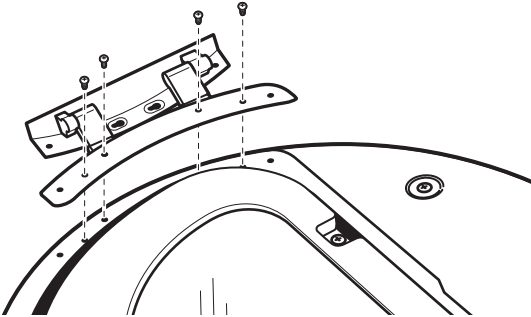
REVERSING DRYER DOOR SWING (OPTIONAL)

Reverse Hinge

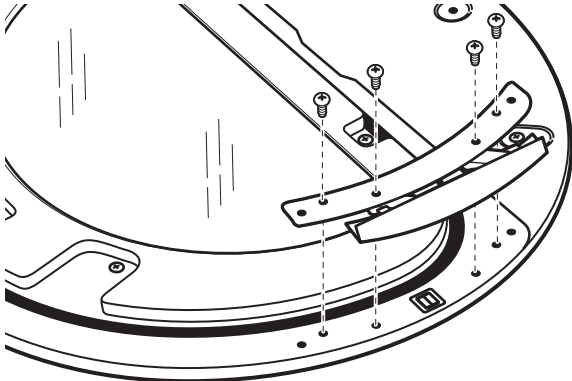
1. Use a small flat-blade screwdriver to remove two plug strips from the inner door. Slide the head of the screwdriver under the plugs, without scratching inner door surface, and lift up strip.



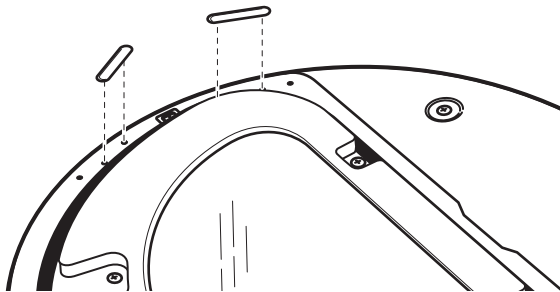
2. Remove the four screws that attach to inner door hinge.



3. Move hinge to other side. Reinstall four screws.



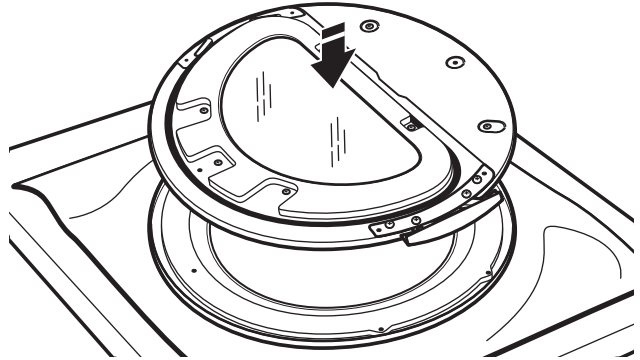
4. Reinstall plug strips on opposite side of the inner door.



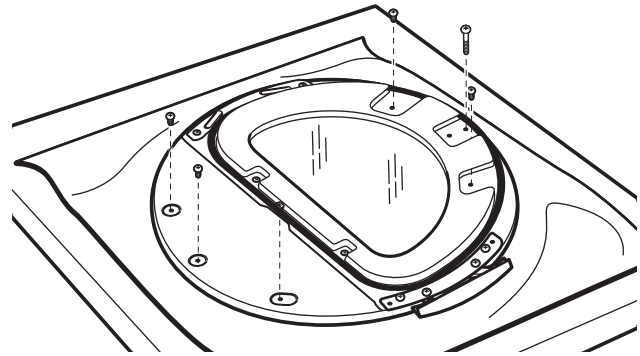
5. Check for fingerprints on the glass. Clean if necessary.

Replace the Door Assembly

1. Place the inner door assembly inside the outer door assembly.

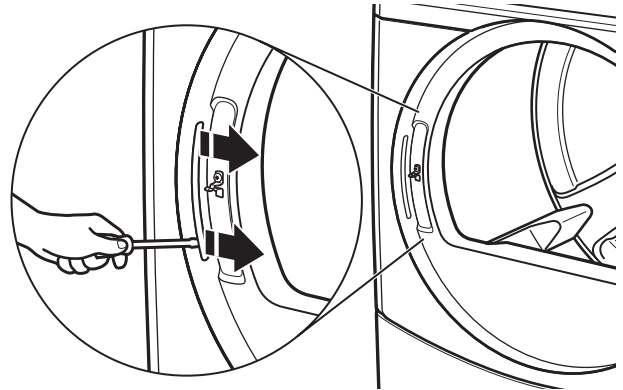


2. Reassemble the inner and outer door assemblies with the six screws.

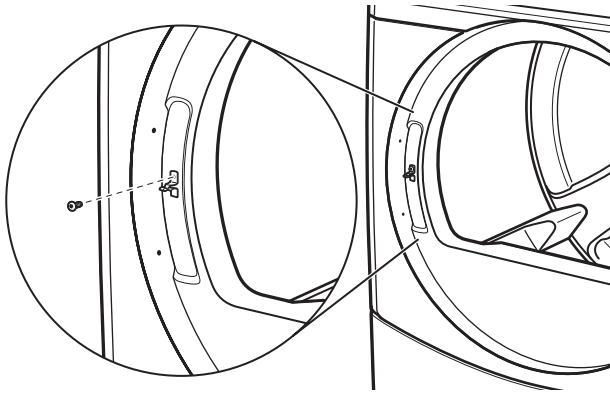


Reverse the strike

1. Use a small flat-blade screwdriver to remove plug strip from the dryer door opening. Slide the head of the screwdriver under the plugs, without scratching dryer surface, and lift up strip.



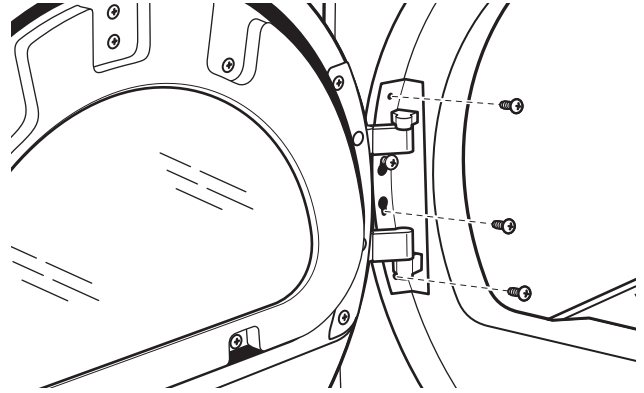
2. Remove the strike using a Phillips screwdriver.



3. Insert strike on the opposite side.

Reinstall the door

1. Partially insert the third screw from the top; then slide the hinge onto this screw while hooking the hinge into the front panel hole. Reattach door to dryer front panel with the remaining three screws.



2. Check for fingerprints on the glass. Clean if necessary.

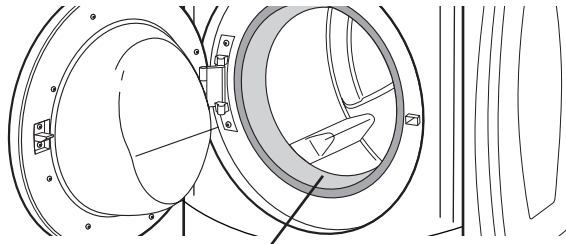
3. Close door and check that it latches securely.

STACKED WASHER/DRYER MAINTENANCE INSTRUCTIONS

Washer

Cleaning the Door Seal/Bellow

1. Open the washer door and remove any clothing or items from the washer.
2. Inspect inner glass door. If debris is present, wipe it off using a damp cloth.
3. Inspect the colored seal/bellow between the door opening and the basket for stained areas. Pull back the seal/bellow to inspect all areas under the seal/bellow and to check for foreign objects.



Seal/bellow

4. If stained areas are found, wipe down these areas of the seal/bellow:
 - a) Mix a dilute solution, using 3/4 cup (177 mL) of liquid chlorine bleach, and 1 gal. (3.8 L) of warm tap water.
 - b) Wipe the seal/bellow area with the dilute solution, using a damp cloth.
 - c) Let stand 5 minutes.
 - d) Wipe down area thoroughly with a dry cloth and let the washer interior air dry with door open.

IMPORTANT:

- Wear rubber gloves when cleaning for prolonged periods.
- Refer to the bleach manufacturer's instructions for proper use.

Maintenance Instructions:

This washer has a special cycle that uses higher water volumes in combination with liquid chlorine bleach to thoroughly clean the inside of the washer.

NOTES:

- Read these instructions completely before beginning the cleaning process.
- If necessary, the cleaning cycle may be interrupted by pressing the Start button twice. However, this will not immediately stop the cycle. The washer will continue with several rinse and drain steps to ensure that all remaining bleach is rinsed from the washer.

To clean washer interior:

1. Open the washer door and remove any clothing or items from the washer.
2. Use liquid chlorine bleach:
Open the dispenser drawer and immediately add 2/3 cup (160 mL) of liquid chlorine bleach to the bleach compartment.
NOTE: Do not add any detergent. Use of more than 2/3 cup (160 mL) of bleach will cause product damage over time.
3. Close the washer door and the dispenser drawer.
4. To start the Washer Cleanout cycle, first enter "Service Mode." Then press and hold the DELICATES button for 2 seconds. Press the EXTRA RINSE button until P-08 is displayed, then press the START button to start the cycle.

To exit out of the service mode and activate the clean wash cycle, push the DELICATES button, then turn the key.

NOTE: The door will lock, the basket will rotate 1/2 turn, then the door will unlock and lock again, then the Washer Cleanout Cycle will continue. The washer will not fill, but the basket will rotate while the washer runs a short sensing cycle. This will take approximately 3 minutes.

5. The cycle will determine whether clothing or other items are in the washer.
 - a) If no items are detected in the washer, it will proceed to Step 7.
 - b) If any items are detected in the washer, "F-34" will be displayed. Then the door will unlock.
 - Enter the service mode and then press and hold the START button to cancel the failure code. Then repeat Steps 1, 3, and 4 to start the cycle again.
6. Once the cycle has begun, allow the cycle to complete.
7. After the cycle is complete, leave the door open slightly to allow for better ventilation and drying of washer interior.

STACKED WASHER/DRYER MAINTENANCE INSTRUCTIONS

Always do the following to maintain washer freshness:

- Use only HE (High Efficiency) detergent.
- Leave the door slightly open after each cycle to allow for better ventilation and drying of washer interior.
- Clean the washer monthly using the Washer Maintenance Procedure, using 2/3 cup (160 mL) of liquid chlorine bleach.
- If the procedure does not sufficiently improve the washer freshness, please evaluate your installation and usage conditions for other causes.

Cleaning the exterior

Use a soft damp cloth or sponge to wipe up any spills. Occasionally wipe the outside of your washer to keep it looking new. Use mild soap and water. Do not use abrasive products.

Cleaning the dispenser drawer

The dispenser drawer is removable for easy cleaning.

1. Unlock the dispenser drawer for removal by inserting a flat-blade screwdriver into the catch release. Remove the dispenser drawer.
2. Remove the inserts (the siphon from the softener and bleach compartments).
3. Wash the parts under running water.
NOTE: Do not wash components in the dishwasher.
4. Replace the inserts and return the dispenser to the drawer.

Water inlet hoses

Replace the inlet hoses after 5 years of use to reduce the risk of hose failure. Periodically inspect and replace inlet hoses if bulges, kinks, cuts, wear, or leaks are found.

When replacing your inlet hoses, record the date of replacement.

Dryer

Maintenance instructions:

- Clean lint screen before and after each cycle.
- Removing accumulated lint:
 - From inside the dryer cabinet:
Lint should be removed every 2 years or more often, depending on dryer usage. Cleaning should be done by a qualified person.
 - From the exhaust vent:
Lint should be removed every 2 years, or more often, depending on dryer usage.
- Keep area around dryer clear and free from combustible materials, gasoline and other flammable vapors and liquids.
- Keep dryer area clear and free from items that would obstruct the flow of combustion and ventilation air.

If dryer does not operate, check the following:

- Electrical supply is connected.
- Circuit breaker is not tripped or house fuse is not blown.
- Door is closed. Listen closely to hear the door switch activate.
- Control is set up properly and display shows cycle time.
- Cycle selection button has been pushed firmly.
- For gas dryers, check that gas supply shut-off valves are set in open position.

IF YOU NEED ASSISTANCE

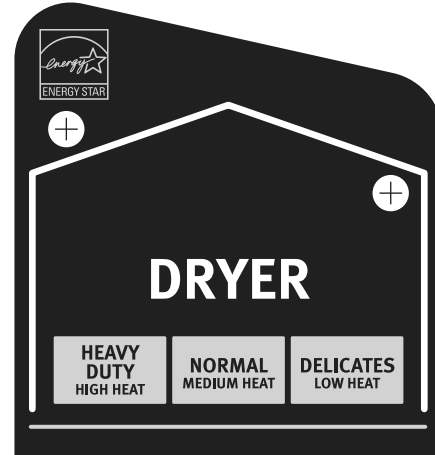
Contact your authorized Maytag® Commercial Laundry distributor. To locate your authorized Maytag® Commercial Laundry distributor, or for web inquiries, visit www.MaytagCommercialLaundry.com.

You will need the washer/dryer model numbers and serial numbers. Both numbers can be found on the serial-rating plate located in the dryer door well.

ELECTRONIC CONTROL SETUP INSTRUCTIONS



Washer Control



Dryer Control

General Washer/Dryer User Information

NOTE: After the washer/dryer has been installed and plugged in, the display will show "0 MINUTES" on the washer and dryer portions of the display. After the washer and dryer doors have been opened and closed, the display will show the price for each machine. On washer/dryers set for free cycles, the display sections will flash "SELECT CYCLE."

1. **PD Models:** Insert coins until "SELECT CYCLE" flashes on the display portion of the washer or dryer that is to be run.
PR Models: A debit card is required rather than coins. Generation 1 or 2 debit card systems may be used; but when the Generation 2 debit system is used, the controls will automatically be set to Enhanced Debit mode (J. Ed). In Enhanced Debit mode, the card balance will also display when a debit card is inserted into the reader.
2. Door must be closed on the desired washer/dryer before cycle selection is made.
3. Press the fabric setting button for the washer/dryer cycle desired. After the cycle is started, the time will display and count down.
4. If a cycle is interrupted by opening the door or power loss, "RESELECT CYCLE" will flash in the display. To restart the washer/dryer, close door and reselect desired cycle.

NOTE: When set for free vend operation an ongoing dryer cycle will cancel if the door is opened.

Scrolling "OUT OF ORDER" Message, Followed by a Failure or Diagnostic Code Showing in Display

This condition indicates the washer/dryer is inoperative. Diagnostic codes being displayed on the upper portion of the display pertain to the dryer section, and diagnostic codes displayed on the lower portion of the display apply to the washer section. Diagnostic codes displayed on both the upper and lower portions of the display pertain to the control system of both the washer and dryer.

"0 MINUTES" Showing in Display

This indicates the cycle is complete and the washer/dryer cannot be operated. Coins dropped or debit inputs during this condition will be stored in escrow but cannot be used until normal operation is restored by opening and closing the door. If a door switch has failed, causing "0 MINUTES" to remain in the display after the door is opened and closed, it must be replaced before normal operation can be restored.

Cold Start (Initial first use)

Washer/dryer is programmed at the factory as follows:

Washer

11-minute wash period
\$1.75 wash price (PD models)
\$0.00 wash price (PR models)
3 rinses (extra rinse not enabled)

Dryer

5 minutes per quarter for PD models
45 minutes dry time for PR models
\$1.50 dry price
(fixed cycle with top off – PD Models)
\$0.00 dry price
(fixed cycle – PR Models)

ELECTRONIC CONTROL SETUP INSTRUCTIONS

Warm Start (after power failure)

A few seconds after power is restored, if a cycle was in progress at the time of the power failure, "RESELECT CYCLE" will flash in the display, indicating the need for a key press to restart washer or dryer.

Washer Door Lock

Prior to beginning a cycle, there is a door lock routine of lock/unlock/relock, then cycle begins. The door will remain locked until the end of a cycle or approximately 2 minutes after a power interruption.

Pricing

After the door is opened and then closed following the completion of a cycle, the display indicates the cycle price (unless set for free operation, where the display will flash "SELECT CYCLE"). As coins are dropped or debit inputs arrive, the display will change to lead the user through the initiation of a cycle.

There are four (4) types of dryer pricing:

Fixed "Vend" Pricing

A dryer setup for "Fixed Cycle" operation can only accept additional time accumulated by increments equal to the length of a complete dry cycle. A maximum of 99 minutes may be purchased; no additional credit is given for coins dropped with 99 minutes in the display.

Accumulator Pricing

If the price is set to one Coin 1, then accumulator pricing is in effect. Cycle time can be purchased one coin at a time (PD models) up to the maximum time of 99 minutes.

Fixed Cycle With Top Off Pricing

A dryer set to offer "Top Off" capability will allow time to be added to an existing dry cycle in increments equal to the number of minutes of dry time per quarter (Coin 1), up to 99 minutes, regardless of the cost required to start the dryer. No credit is given for coins or debit inputs entered when the control is displaying 99 minutes.

PR Models: In Enhanced Debit Mode, the top off price can be set independently (see VALUE OF COIN 2), and the top off time is calculated according to the following equation:

$$\text{top off time} = \frac{\text{top off price}}{\text{full cycle price}} \times \text{full cycle length}$$

Penny increment offset is not applied to top off purchases.

Free Cycles

This is established by setting the cycle price to zero. When this happens, "SELECT CYCLE" will appear rather than a cycle price. Any cycle started as a free cycle will automatically terminate when the door is opened.

Debit Card Ready

This washer/dryer is debit card ready. It will accept a variety of debit card systems, but does not come with a debit card reader. Refer to the debit card reader manufacturer for proper washer/dryer setup. In models converted to a Generation 1 debit card system, debit pulses represent the equivalent of one coin (Coin 1).

Control Set-up Procedures

IMPORTANT: Read all instructions before operating.

PD/PR Models: Insert service switch key and turn counterclockwise.

PR Models: Once a Generation 2 debit card reader is installed (according to the reader manufacturer's instructions), the set-up modes can only be changed by inserting a set-up card (supplied by the reader manufacturer) into the card slot. Inserting the service switch key and turning will only allow access to the service mode.

The washer/dryer is now in the set-up mode. The lower fabric setting buttons and the lower portion of the display are used to set up the digital control for the washer. The upper three fabric setting buttons and the upper portion of the display are used to set up the controls for the dryer.

The display can contain four numbers and/or letters and a decimal point on both the top and bottom display portions. These are used to indicate the set-up codes and related code values available for use in programming the washer/dryer.

How to Use the Buttons to Program the Controls

Washer:

1. POWER WASH—Upper left button is used to adjust the values associated with set-up codes. Pressing the button will increment the value. Rapid adjustment is possible by holding the button down.
2. TEMPERATURE—Lower left button is used to adjust the values associated with set-up codes. Pressing the button will decrement the value. Rapid adjustment is possible by holding down the button.
3. EXTRA RINSE—Lower middle button will advance through the set-up codes. Pressing the button will advance to the next available set-up code. Holding the button down will automatically advance through the set-up codes at a rate of 1 per second.
4. DELICATES—the right button is used to select or deselect options.

Dryer:

1. HEAVY DUTY—Left button is used to adjust the value associated with set-up codes. Pressing the button will increment the value. Rapid adjustment is possible by holding down the button.
2. DELICATES—the right button is used to select or deselect options.

ELECTRONIC CONTROL SETUP INSTRUCTIONS

Start Operating Set-up

Washer/dryers are preset at the factory and do not require any programming. However, if you want to change the settings, follow the "Set-Up Codes" guide.

The code at the beginning of each segment is the factory default setting for the PD Models and is the same for the PR Models unless noted otherwise.

The set-up code is indicated by the one or two left-hand characters. The set-up code value is indicated by the two or three right-hand characters.

Set-Up Codes	
Code	Explanation
6 06	REGULAR PRICE CYCLE (DRYER)
6 06	Represents the number of Coin 1s needed to start the dryer; may adjust from 0-200 (see b.05 set-up for value of quarters (Coin 1). Advance from 0-200 by pressing HEAVY DUTY. Factory default of 6 quarters = \$1.50.
6 00	PR Models Only: Factory default of 6 00 or 0 quarters.
CYCLE VEND PRICE (WASHER)	
6 07 NORMAL	NORMAL Regular Cycle Vend Price— Represents the number of Coin 1s needed to start the washer. Increase between 0 and 200 by pressing the POWERWASH button and decrease by pressing TEMPERATURE button. Factory preset for 7 coins = \$1.75.
6 00 NORMAL	PR models only: Factory default of 6 00 or 0 quarters.
6 07 DELICATE	DELICATES Regular Cycle Vend Price— Represents the number of Coin 1s needed to start the washer. Increase between 0 and 200 by pressing the POWERWASH button and decrease by pressing the TEMPERATURE button. Factory preset for 7 coins = \$1.75.
6 00 DELICATE	PR models only: Factory default of 6 00 or 0 quarters.
6 07 POWERWASH	POWERWASH Regular Cycle Vend Price— Represents the number of Coin 1s needed to start the washer. Increase between 0 and 200 by pressing the POWERWASH button and decrease by pressing the TEMPERATURE button. Factory preset for 7 coins = \$1.75.
6 00 POWERWASH	PR models only: Factory default of 6 00 or 0 quarters. → Press the EXTRA RINSE button once to advance to next code.
7 05	REGULAR DRY TIME (DRYER)
7 05	PD Models: Represents the number of minutes per quarter (Coin 1). Factory default of 5 minutes per coin. Example: 6 quarters x 5 minutes = 30 minutes. By pressing the HEAVY DUTY button, value adjusts from 1-99 minutes.
7 45	PR Models: Represents the cycle length for free cycles. Example: "7 45" = 45 minutes.
7 11	WASH LENGTH (WASHER)
7 11	This is the number of minutes for wash. Washer comes from the factory preset with 11 minutes. Choose from 9-17 minutes by pressing the POWERWASH button and decrease by pressing the TEMPERATURE button. → Press the EXTRA RINSE button once to advance to next code.

8 00	TYPE OF DRYER PRICING (DRYER)
8 00	Fixed cycle with top off. For detailed description, see General User Information.
8 FC	PR models only: Factory default of FC. Fixed Cycle. For detailed description, see General User Information. Use DELICATES button to make this selection.
8 00	ADDITIONAL RINSE OPTION/EXIT SERVICE MODE (WASHER) Note: this only affects NORMAL and DELICATES cycles. Additional Rinse is always enabled for POWERWASH.
8 00	Additional Rinse not selected Off. Use this field to exit Service Mode when entered via the key dance. Press and hold the TEMPERATURE button to exit Service Mode.
8 AR	Additional Rinse selected, On. Press the DELICATES button to change settings between 00 and AR. Use this field to exit Service Mode when entered via the key dance. Press and hold the TEMPERATURE button to exit Service Mode. → Press the EXTRA RINSE button once to advance to next code.
9 00	CYCLE COUNTER OPTION (WASHER) This option is either selected On or not selected Off.
9 00	Not selected Off
9 0C	Selected On and not able to be deselected. Press DELICATES button three consecutive times to select On. Once On is selected, it cannot be deselected. → Press the EXTRA RINSE button once to advance to next code.
1.00	MONEY COUNTER OPTION (WASHER) This option is either selected On or not selected Off
1.00	Not selected Off
1.0C	Selected On. Press DELICATES button three consecutive times to select On and three consecutive times to remove (not selected Off). Counter resets by going from Off to On.
1.C0	Selected On and not able to be deselected. To select On and not able to be deselected, first select On, then within two seconds press DELICATES twice, POWERWASH once, and exit the set-up mode. → Press the EXTRA RINSE button once to advance to next code.
2.00	SPECIAL PRICING OPTION (WASHER) This option is either selected on or not selected Off.
2.00	Not selected off.
2.SP	Selected on. Press the DELICATES button once for this selection.
If special pricing option is selected, you have access to codes "3." through "9." NOTE: An external battery needs to be added to keep the clock running during periods of power outages. → Press the EXTRA RINSE button once to advance to next code.	

ELECTRONIC CONTROL SETUP INSTRUCTIONS

OPTIONS TO USE IF SPECIAL PRICING IS SELECTED (DRYER):		7.00	SPECIAL PRICE START HOUR (WASHER) NOTE: Uses military time - 24 hr. clock																								
SPECIAL CYCLE PRICE (DRYER)		7.00	This is the start hour; 0-23 hours. Select START HOUR by pressing POWERWASH button. → Press the EXTRA RINSE button once to advance to the next code.																								
3 06	Represents the number of quarters (Coin 1) needed to start the dryer, may adjust from 0-200. (See b.05 set-up for value of Coin 1). Advance from 0-200 by pressing HEAVY DUTY. Factory default of 6 quarters = \$1.50.	8.00	SPECIAL PRICE STOP HOUR (DRYER) NOTE: Uses military time - 24 hr. clock.																								
3.00	PR Models: Factory default of 0 quarters.	8.00	This is the stop hour; 0-23 hours. Select STOP HOUR by pressing HEAVY DUTY button. → Press the EXTRA RINSE button once to advance to the next code.																								
OPTIONS TO USE IF SPECIAL PRICING IS SELECTED (WASHER):		9.10	SPECIAL PRICE DAY (WASHER)																								
3.07 NORMAL	NORMAL Special Cycle Vend Price— Increase between 0 and 200 by pressing the POWERWASH button and decrease by pressing the TEMPERATURE button. Factory preset for 7 coins = \$1.75.	9.10	This represents the day of the week and whether special pricing is selected for that day. A number followed by "0" indicates no selection that particular day (9.1S). Day of the week (1-7) can be chosen by pressing the POWERWASH button. Press DELICATES button once to select special pricing for each day chosen. When exiting setup code "9", the display must show current day of week: <table style="width: 100%; border-collapse: collapse;"> <thead> <tr> <th style="text-align: left;">DISPLAY</th> <th style="text-align: left;">DAY OF THE WEEK</th> <th style="text-align: left;">CODE (selected)</th> </tr> </thead> <tbody> <tr><td>10</td><td>Day 1 = Sunday</td><td>1S</td></tr> <tr><td>20</td><td>Day 2 = Monday</td><td>2S</td></tr> <tr><td>30</td><td>Day 3 = Tuesday</td><td>3S</td></tr> <tr><td>40</td><td>Day 4 = Wednesday</td><td>4S</td></tr> <tr><td>50</td><td>Day 5 = Thursday</td><td>5S</td></tr> <tr><td>60</td><td>Day 6 = Friday</td><td>6S</td></tr> <tr><td>70</td><td>Day 7 = Saturday</td><td>7S</td></tr> </tbody> </table> → Press the EXTRA RINSE button once to advance to next code.	DISPLAY	DAY OF THE WEEK	CODE (selected)	10	Day 1 = Sunday	1S	20	Day 2 = Monday	2S	30	Day 3 = Tuesday	3S	40	Day 4 = Wednesday	4S	50	Day 5 = Thursday	5S	60	Day 6 = Friday	6S	70	Day 7 = Saturday	7S
DISPLAY	DAY OF THE WEEK	CODE (selected)																									
10	Day 1 = Sunday	1S																									
20	Day 2 = Monday	2S																									
30	Day 3 = Tuesday	3S																									
40	Day 4 = Wednesday	4S																									
50	Day 5 = Thursday	5S																									
60	Day 6 = Friday	6S																									
70	Day 7 = Saturday	7S																									
3 00 NORMAL	PR models only: Factory default of 6 00 or 0 quarters.	A.00	VAULT VIEWING OPTION (WASHER) This option is either selected On or not selected Off.																								
3.07 DELICATES	DELICATES Special Cycle Vend Price— Increase between 0 and 200 by pressing the POWERWASH button and decrease by pressing the TEMPERATURE button. Factory preset for 7 coins = \$1.75.	A.00	Not selected Off.																								
3 00 DELICATES	PR models only: Factory default of 6 00 or 0 quarters.	A.5C	Selected On. Press DELICATES button once for this section. When selected, the money and/or cycle counts will be viewable (if counting is selected) when the coin box is removed. → Press the EXTRA RINSE button once to advance to next code.																								
3.07 POWERWASH	POWERWASH Regular Cycle Vend Price— Increase between 0 and 200 by pressing the POWERWASH button and decrease by pressing the TEMPERATURE button. Factory preset for 7 coins = \$1.75.	b.05	VALUE OF COIN 1 (WASHER)																								
3 00 POWERWASH	PR models only: Factory default of 6 00 or 0 quarters. → Press the EXTRA RINSE button once to advance to the next code.	b.05	This represents the value of Coin 1 in number of nickles. 05 = \$0.25. Increase between 1 and 200 nickles by pressing the POWERWASH button and decrease by pressing the TEMPERATURE button. With coin drop activation, this represents the total vend price in nickles. Example: b.30 = \$1.50. → Press the EXTRA RINSE button once to advance to next code.																								
4.05	SPECIAL DRY TIME (DRYER)																										
4.05	PD Models: Represents the number of minutes per quarter (Coin 1). Factory default of 5 minutes per coin. Example: 6 quarter x 5 minutes = 30 minutes. By pressing the HEAVY DUTY button, the value can be adjusted from 1-99 minutes.																										
4.45	PR Models: Represents the fixed cycle time in minutes. Example: "4.45" = 45 minutes. → Press the EXTRA RINSE button once to advance to next code.																										
5.00	TIME-OF-DAY CLOCK, MINUTES (WASHER)																										
5.00	This is the TIME-OF-DAY CLOCK, minute setting; select 0-59 minutes by pressing POWERWASH button. → Press the EXTRA RINSE button once to advance to next code.																										
6.00	TIME-OF-DAY CLOCK, HOURS (WASHER) NOTE: Uses military time— 24 hr. clock.																										
6.00	This is the TIME-OF-DAY CLOCK, hour setting; select 0-23 ours by pressing POWERWASH button. → Press the EXTRA RINSE button once to advance to the next code.																										

ELECTRONIC CONTROL SETUP INSTRUCTIONS

C.20	VALUE OF COIN 2 (WASHER)
C.20	PD MODELS: This represents the value of coin 2 in number of nickles. 20 = \$1.00. Increase between 1 and 200 nickles by pressing the POWERWASH button and decrease by pressing the TEMPERATURE button. → Press the EXTRA RINSE button once to advance to next code.
C.05	PR models only: For models using Enhanced Debit, this field represents the value of top off in nickles, for the dryer, or \$.25. Factory default of C.05; represents 5 x \$.05, or \$.25. → Press the EXTRA RINSE button once to advance to next code.
E.00	ADD COINS OPTION (WASHER) This option is either selected On or not selected Off. This option causes the customer display to show the number of coins (Coin 1) to enter, rather than the dollars-and-cents amount.
E.00	Not selected Off.
E.AC	Selected On. Press DELICATES button three consecutive times for this selection. PR models only: In enhanced debits mode, this option is not selectable. → Press the EXTRA RINSE button once to advance to next code.
Wash Upgrades (WASHER)	
H.00 COOL	COOL Temperature Upgrade Price—Set between 0 and 200 by pressing the POWERWASH (increase) button or pressing the TEMPERATURE (decrease) button. Factory preset for 0 coins = \$0.00.
H.00 WARM	WARM Temperature Upgrade Price—Set between 0 and 200 by pressing the POWERWASH (increase) button or pressing the TEMPERATURE (decrease) button. Factory preset for 0 coins = \$0.00.
H.00 HOT	HOT Temperature Upgrade Price—Set between 0 and 200 by pressing the POWERWASH (increase) button or pressing the TEMPERATURE (decrease) button. Factory preset for 0 coins = \$0.00.
H.01 EXTRA RINSE	EXTRA RINSE Upgrade Price—Set between 0 and 200 by pressing the POWERWASH (increase) button or pressing the TEMPERATURE (decrease) button. Factory preset for 1 coins = \$0.25. → Press the EXTRA RINSE button once to advance to next code.
J.Cd	COIN/DEBIT OPTION (WASHER)
J.Cd	Both coin and debit selected.
J.d	Debit card selected, coins disabled. Press the DELICATES button three consecutive times for this selection.
J.C	Coins selected, debit disabled. Press the DELICATES button three consecutive times for this selection.
J.Ed	Enhanced Debit is self-selected when a Generation 2 card reader is installed in the washer. The Ed option cannot be manually selected or deselected. → Press the EXTRA RINSE button once to advance to next code.

L.00	PRICE SUPPRESSION OPTION (WASHER) This option causes the customer display to show "ADD" or "AVAILABLE" rather than the amount of money to add. (Used mainly in debit installations.)
L.00	Not selected Off
L.PS	Selected On. Press the DELICATES button once for this selection. → Press the EXTRA RINSE button once to advance to next code.
n.CE	CLEAR ESCROW OPTION (WASHER) When selected, money held in escrow for 30 minutes without further escrow or cycle activity will be cleared.
n.CE	Selected On.
n.00	Not selected off. Press the DELICATES button once to deselect this selection. → Press the EXTRA RINSE button once to advance to next code.
r.800 TOP SPIN SPEED RPM (WASHER)	
r.800	This can be selected from the following spin speeds: 600rpm, 750 rpm, 800 rpm, 1000 (displays as 999) rpm. Step between speeds by pressing the DELICATES button. Factory default of 800rpm. → Press the EXTRA RINSE button once to advance to next code.
U.00 PENNY INCREMENT OFFSET (DRYER)	
U.00	This represents the penny increment price offset used in Generation 2 (Enhanced Debit) PR models. Choose from 0-4 pennies by pressing the HEAVY DUTY button.
U.00 COIN (HUNDRETH) INCREMENT OFFSET (WASHER)	
U.00	This represents the penny increments price offset used in Generation 2 (Enhanced Debit) PR models. Increase from 0-4 pennies by pressing the POWERWASH button decrease by pressing TEMPERATURE button. → Press the EXTRA RINSE button once to advance to next code.
CYCLE SETTINGS (WASHER)	
A1.03	PREWASH LENGTH This is the number of minutes of PREWASH. Set between 2 and 7 by pressing the POWERWASH (Increase) button or pressing the TEMPERATURE (decrease) button. → Press the EXTRA RINSE button once to advance to next code.
A2.03	FINAL SPIN LENGTH This is the number of minutes of final high-speed spin. Set between 3 and 8 by pressing the POWERWASH (increase) button or pressing the TEMPERATURE (decrease) button. → Press the EXTRA RINSE button once to advance to next code.

ELECTRONIC CONTROL SETUP INSTRUCTIONS

A3.02	<p>Normal Cycle Settings allows the owner to select the cycle default options of Water Temperature, Prewash, and Extra Rinse.</p> <p>See Table 1 for specific settings. Normal is set to 02 from the factory.</p> <p>Set by pressing the POWERWASH (increase) button or pressing the TEMPERATURE (decrease) button.</p> <p>—————> Press the EXTRA RINSE button once to advance to next code.</p>
A4.00	<p>Delicates Cycle Settings allows the owner to select the cycle default options of Water Temperature, Prewash, and Extra Rinse.</p> <p>See Table 1 for specific settings. Delicates is set to 00 from the factory.</p> <p>Set by pressing POWERWASH (increase) button or pressing the TEMPERATURE (decrease) button.</p> <p>—————> Press the EXTRA RINSE button once to advance to next code.</p>
A5.0F	<p>Powerwash Cycle Settings allows the owner to select the cycle default options of Water Temperature, Prewash, and Extra Rinse.</p> <p>See Table 1 for specific settings. Powerwash is set to 0F from the factory.</p> <p>Set by pressing POWERWASH (increase) button or pressing the TEMPERATURE (decrease) button.</p> <p>—————> Press the EXTRA RINSE button once to advance to next code.</p>

MAYTAG COMMERCIAL LAUNDRY LIMITED WARRANTY

MHN33PDCWW, MHN33PDCXW, MHN33PDCGW, MHN33PRCWW, MHN33PNCGW

IF YOU NEED SERVICE:

Contact your authorized Maytag Commercial Laundry distributor. To locate your authorized Maytag Commercial Laundry distributor, visit www.MaytagCommercialLaundry.com.

For written correspondence:

Maytag Commercial Laundry Service Department
2000 N M 63
Benton Harbor, Michigan 49022-2632 USA

SEVEN YEAR LIMITED WARRANTY

WHAT IS COVERED

FIVE YEAR LIMITED WARRANTY (PARTS ONLY – LABOR NOT INCLUDED)

For the first five years from the original date of purchase, when this commercial appliance is installed, maintained, and operated according to the instructions attached to or furnished with the product, Maytag brand of Whirlpool Corporation (hereafter “Maytag”) will pay for factory specified replacement parts to correct defects in materials or workmanship that existed when this commercial appliance was purchased. This limited warranty does not include labor.

SIXTH THROUGH SEVENTH YEAR LIMITED WARRANTY (CERTAIN COMPONENT PARTS ONLY – LABOR NOT INCLUDED)

In the sixth through seventh years from the date of original purchase, when this commercial appliance is installed, operated, and maintained in a vended and/or multi-housing environment ONLY according to instructions attached to or furnished with the product, Maytag will pay for factory specified replacement parts for the following components to correct non-cosmetic defects in materials or workmanship in the part that prevent functioning of the product and that existed when this commercial appliance was purchased. This is a limited 7-year warranty on the below named parts only and does not include labor.

Drive Bearings, Tub Seal, Bearing Spacer, Hub, Cross Piece, Drum, Rear Tub, Front Tub, Drum Shaft

YOUR SOLE AND EXCLUSIVE REMEDY UNDER THIS LIMITED WARRANTY SHALL BE PART REPLACEMENT AS PROVIDED HEREIN. Maytag recommends that you use an “authorized” service provider to diagnose and repair your Commercial Laundry product. Maytag will not be responsible under this warranty to provide additional replacement parts as a result of incorrect diagnosis or repair by an “unauthorized” service company. Except in the European Union, this limited warranty is valid only when the commercial appliance is used in the country in which it was purchased. This limited warranty is effective from the date of the original consumer purchase. Proof of original purchase date is required to obtain service under this limited warranty.

WHAT IS NOT COVERED

1. All other costs including labor, transportation, shipping, or custom duties for covered parts.
2. Factory specified replacement parts if this commercial appliance is used for other than normal, commercial use or when it is used in a manner that is inconsistent to published user or operator instructions and/or installation instructions.
3. Service calls to correct the installation of your commercial appliance, to instruct you on how to use your commercial appliance, to replace or repair house fuses, or to correct external wiring or plumbing.
4. Service calls to repair or replace appliance light bulbs, air filters, or water filters. Consumable parts are excluded from warranty coverage.
5. Damage resulting from improper handling of product during delivery, theft, accident, alteration, misuse, abuse, fire, flood, acts of God, improper installation, installation not in accordance with local electrical or plumbing codes, or use of products not approved by Maytag.
6. Pick up and delivery. This commercial appliance is designed to be repaired on location.
7. Repairs to parts or systems resulting from unauthorized modifications made to the commercial appliance.
8. The removal and reinstallation of your commercial appliance if it is installed in an inaccessible location or is not installed in accordance with published installation instructions.
9. Damage resulting from exposure to chemicals.
10. Changes to the building, room, or location needed in order to make the commercial appliance operate correctly.
11. Factory specified replacement parts on commercial appliances with original model/serial numbers that have been removed, altered, or cannot be easily determined.
12. Discoloration, rust, or oxidation of stainless steel surfaces.
13. Factory specified replacement parts as a result of incorrect diagnosis or repair by an “unauthorized” service company.
14. Replacement parts during the sixth through seventh years from the date of original purchase where the commercial appliance is installed, operated and maintained in a setting other than a vended and/or multi-housing environment.
15. Replacement parts during the sixth through seventh years from the date of original purchase where the defective part is not preventing the functioning of the product.

The cost of repair or replacement under these excluded circumstances shall be borne by the customer.

DISCLAIMER OF IMPLIED WARRANTIES

IMPLIED WARRANTIES, INCLUDING ANY IMPLIED WARRANTY OF MERCHANTABILITY OR IMPLIED WARRANTY OF FITNESS FOR A PARTICULAR PURPOSE, ARE LIMITED TO SEVEN YEARS OR THE SHORTEST PERIOD ALLOWED BY LAW. Some locations may not allow limitations on the duration of implied warranties of merchantability or fitness, so this limitation may not apply to you. This warranty gives you specific legal rights, and you also may have other rights that vary.

DISCLAIMER OF REPRESENTATIONS OUTSIDE OF WARRANTY

Maytag makes no representations about the quality, durability, or need for service or repair of this major appliance other than the representations contained in this Warranty. If you want a longer or more comprehensive warranty than the limited warranty that comes with this major appliance, you should ask your retailer about buying an extended warranty. The benefits to you given by this warranty are in addition to other rights and remedies available to you under a law in relation to the goods or service to which this warranty relates. Please contact Maytag for further information on warranty terms.

LIMITATION OF REMEDIES; EXCLUSION OF INCIDENTAL AND CONSEQUENTIAL DAMAGES

YOUR SOLE AND EXCLUSIVE REMEDY UNDER THIS LIMITED WARRANTY SHALL BE PRODUCT REPAIR AS PROVIDED HEREIN. MAYTAG SHALL NOT BE LIABLE FOR INCIDENTAL OR CONSEQUENTIAL DAMAGES. Some locations do not allow the exclusion or limitation of incidental or consequential damages, so these limitations and exclusions may not apply to you. This warranty gives you specific legal rights, and you also may have other rights that vary by location.

SÉCURITÉ DE LA LAVEUSE/SÈCHEUSE SUPERPOSÉES

Votre sécurité et celle des autres est très importante.

Nous donnons de nombreux messages de sécurité importants dans ce manuel et sur votre appareil ménager. Assurez-vous de toujours lire tous les messages de sécurité et de vous y conformer.



Voici le symbole d'alerte de sécurité.

Ce symbole d'alerte de sécurité vous signale les dangers potentiels de décès et de blessures graves à vous et à d'autres.

Tous les messages de sécurité suivront le symbole d'alerte de sécurité et le mot "DANGER" ou "AVERTISSEMENT". Ces mots signifient :

 **DANGER**

Risque possible de décès ou de blessure grave si vous ne suivez pas immédiatement les instructions.

 **AVERTISSEMENT**

Risque possible de décès ou de blessure grave si vous ne suivez pas les instructions.

Tous les messages de sécurité vous diront quel est le danger potentiel et vous disent comment réduire le risque de blessure et ce qui peut se produire en cas de non-respect des instructions.



AVERTISSEMENT - "Risque d'incendie"

- L'installation de la sècheuse à linge doit être effectuée par un installateur qualifié.
- Installer la sècheuse conformément aux instructions du fabricant et aux codes locaux.
- Ne pas installer de sècheuse à linge avec des matériaux d'évacuation en plastique souple ou un conduit métallique souple (de type papier d'aluminium). Si un conduit métallique souple est installé, celui-ci doit être d'un type spécifique identifié par le fabricant de l'appareil et convenir à une utilisation avec les sècheuses à linge. Les matériaux d'évacuation souples sont connus pour s'affaisser, être facilement écrasés et bloquer la charpie. Ces situations obstrueront le débit d'air de la sècheuse à linge et augmenteront le risque d'incendie.
- Pour réduire le risque de blessure grave ou de décès, suivre toutes les instructions d'installation.
- Conserver ces instructions.

- On recommande que le propriétaire place les instructions à l'usage du client en un lieu bien visible, au cas où le client percevrait une odeur de gaz. Ces renseignements doivent être obtenus auprès de votre fournisseur en gaz.
- Placer l'avertissement qui suit à un endroit bien visible.

POUR VOTRE SÉCURITÉ

Ne pas remiser ou utiliser de l'essence ou tout autre liquide ou vapeur inflammable à proximité de cet appareil ou de tout autre appareil.

SÉCURITÉ DE LA LAVEUSE/SÉCHEUSE SUPERPOSÉES

AVERTISSEMENT :

RISQUE D'INCENDIE OU D'EXPLOSION

Le non-respect des avertissements de sécurité peut causer des dommages à la propriété, des blessures graves, voire la mort.

- Ne pas entreposer ou utiliser de l'essence ou d'autres vapeurs ou liquides inflammables à proximité de cet appareil ou de tout autre appareil électroménager.
- QUE FAIRE DANS LE CAS D'UNE ODEUR DE GAZ :
 - Ne pas tenter d'allumer un appareil.
 - Ne pas toucher à un commutateur électrique; ne pas utiliser le téléphone se trouvant sur les lieux.
 - Évacuer tous les gens de la pièce, de l'édifice ou du quartier.
 - Appeler immédiatement le fournisseur de gaz d'un téléphone voisin. Suivre ses instructions.
 - À défaut de joindre votre fournisseur de gaz, appeler les pompiers.
- L'installation et l'entretien doivent être effectués par un installateur qualifié, une agence de service ou le fournisseur de gaz.

AVERTISSEMENT : L'odorat ne permet pas toujours la détection d'une fuite de gaz.

Les distributeurs de gaz recommandent l'emploi d'un détecteur de gaz (homologation UL ou CSA).

Pour d'autre information, contacter le fournisseur de gaz local.

En cas de détection d'une fuite de gaz, exécuter les instructions "Que faire dans le cas d'une odeur de gaz".

Dans l'État du Massachusetts, les instructions d'installation suivantes sont applicables :

- Les travaux d'installation et réparation doivent être exécutés par un plombier ou tuyauteur qualifié ou licencié, ou par le personnel qualifié d'une entreprise licenciée par l'État du Massachusetts.
- Remplacer par des dispositifs de fermeture acceptables : Les robinets de gaz et robinets à bille installés pour l'utilisation devraient être indiqués.
- Si un conduit de raccordement flexible est utilisé, sa longueur ne doit pas dépasser 4 pi (121,9 cm).

IMPORTANT : L'installation du gaz doit se conformer aux codes locaux, ou en l'absence de codes locaux, au code d'installation du gaz naturel ou du propane, CSA B149.1.

La sècheuse doit être électriquement reliée à la terre conformément aux codes locaux, ou en l'absence de codes locaux, au Code canadien de l'électricité, partie 1, CSA C22.1.

SÉCURITÉ DE LA LAVEUSE/SÈCHEUSE SUPERPOSÉES

IMPORTANTES INSTRUCTIONS DE SÉCURITÉ

AVERTISSEMENT : Pour réduire les risques d'incendie, de choc électrique ou de blessures lors de l'utilisation de la laveuse/sècheuse, suivre les précautions fondamentales dont les suivantes :

- Lire toutes les instructions avant d'utiliser la laveuse/sècheuse.
- Ne pas placer des articles exposés aux huiles de cuisson dans votre sècheuse. Les articles contaminés par des huiles de cuisson peuvent contribuer à une réaction chimique qui pourrait causer à la charge de s'enflammer.
- Ne pas faire laver ou sécher des articles qui ont été nettoyés ou lavés avec de l'essence ou imbibés d'essence, solvants de nettoyage à sec, ou autres substances inflammables ou explosives; ces substances peuvent émettre des vapeurs susceptibles de s'enflammer ou d'exploser.
- Ne pas ajouter d'essence, solvant de nettoyage à sec ou autre produit inflammable ou explosif dans l'eau de lavage. Ces substances peuvent émettre des vapeurs susceptibles de s'enflammer ou d'exploser.
- Ne pas laisser des enfants jouer sur ou à l'intérieur de la laveuse/sècheuse. Bien surveiller les enfants lorsque la laveuse/sècheuse est utilisée à proximité d'enfants.
- Avant de mettre la laveuse/sècheuse au rebut ou hors de service, enlever la porte ou le couvercle.
- Ne pas tenter d'atteindre un article à l'intérieur de la cuve de la laveuse/sècheuse lorsque le tambour, la cuve ou l'agitateur est en mouvement.
- Ne pas installer ou remiser cette laveuse/sècheuse à un endroit où elle serait exposée à l'eau et/ou aux intempéries.
- Ne pas modifier les organes de commande.
- Nettoyer le filtre à charpie avant et après chaque charge.
- Dans certaines conditions, de l'hydrogène gazeux peut se former dans un circuit d'eau chaude qui n'a pas été utilisé pendant 2 semaines ou plus. LE GAZ HYDROGÈNE EST EXPLOSIBLE. Si le circuit d'eau chaude n'a pas été utilisé pendant une telle période, avant d'utiliser la laveuse/sècheuse, ouvrir tous les robinets d'eau chaude et laisser l'eau s'écouler pendant plusieurs minutes par chaque robinet. Ceci permettra l'évacuation de l'hydrogène gazeux accumulé. Comme ce gaz est inflammable, ne pas fumer ou utiliser une flamme nue au cours de cette période.
- Ne pas réparer ou remplacer un composant quelconque de la laveuse/sècheuse, ni entreprendre une opération de service, si ce n'est spécifiquement recommandé dans ce manuel ou dans un manuel d'instructions de réparations destiné à l'utilisateur; il est alors essentiel que la personne concernée comprenne ces instructions et soit compétente pour les exécuter.
- Ne pas utiliser un produit assouplissant de tissu ou des produits pour éliminer la statique à moins qu'ils ne soient recommandés par le fabricant du produit assouplissant de tissu ou du produit.
- Ne pas utiliser la chaleur pour faire sécher des articles fabriqués avec du caoutchouc mousse ou des matériaux semblables.
- Ne pas laisser la charpie, la poussière, ou la saleté s'accumuler autour du système d'évacuation ou autour de l'appareil.
- Un nettoyage périodique de l'intérieur de la sècheuse et du conduit d'évacuation doit être effectué par une personne qualifiée.
- Voir la section "Spécifications électriques" dans les instructions d'installation pour les instructions de mise à la terre.

CONSERVEZ CES INSTRUCTIONS

OUTILS ET PIÈCES

Outillage nécessaire :



clé à tuyau de 8" (203 mm) ou 10" (254 mm)



clé à molette de 8" (203 mm) ou 10" (254 mm) (ouverture jusqu'à 1" [25 mm])



tournevis à lame plate



tournevis Phillips



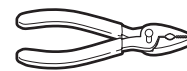
tournevis isolé ou foret Torx®† T-20



clé à douille hexagonale de 1" (25 mm)



clé à douille de 5/16"



pince (ouverture jusqu'à 1⁹/₁₆" [39 mm])



niveau



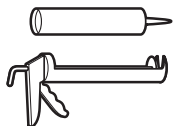
couteau utilitaire



tourne-écrou de 1/4" (6 mm)



pince multiprise



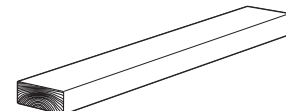
pistolet à calfeutrage et composé de calfeutrage (pour l'installation d'un nouveau conduit d'évacuation)



brides de conduit



composé d'étanchéité des tuyauteries résistant au type de gaz utilisé



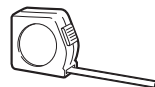
cale de bois de 27" (686 mm)



lampe de poche (facultative)



clés plates de 1/2" (13 mm) et 9/16" (14 mm)



règle ou mètre ruban

Pièces fournies :



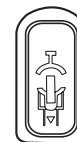
tuyaux d'admission d'eau (2)



rondelle pour tuyau d'alimentation (4)



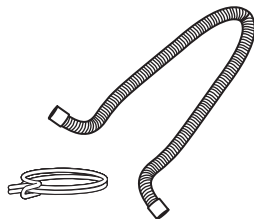
bride de fixation en U pour tuyau d'évacuation



bouchon pour les trous des boulons de transport (4)



attache de fixation perlée



tuyau d'évacuation/bride

†®TORX, T15 et T20 sont des marques déposées de Acument Intellectual Properties, LLC.

PIÈCES SUPPLÉMENTAIRES ET ACCESSOIRES

Pièces supplémentaires

Il se peut que l'installation nécessite des pièces supplémentaires. Pour acheter l'un des articles indiqués ici, composer le numéro sans frais indiqué à la section "Assistance".

Si vous avez	Vous devrez acheter
Égout surélevé	Tuyau de vidange standard de 20 gal. (76 L) de 39" (990 mm) de haut ou évier de décharge, pompe de puisard et connecteurs (disponibles chez les vendeurs de matériel de plomberie locaux)
Tuyau de rejet à l'égout de 1" (25 mm)	Un adaptateur de 2" (51 mm) à 1" (25 mm) de diamètre pour le tuyau rigide de rejet à l'égout, pièce numéro 3363920. Ensemble de raccord pièce numéro 285835
Tuyau de vidange trop court	Rallonge de tuyau d'évacuation, pièce numéro 285863 Ensemble de raccord pièce numéro 285835
Le système d'évacuation obstrué par de la charpie	Protecteur de canalisation, pièce numéro 367031 Ensemble de raccord pièce numéro 285835
Système de vidange au plancher	Brise-siphon, pièce numéro 285834 Ensemble de raccordement (x2), pièce numéro 285835 Rallonge de tuyau d'évacuation, pièce numéro 285863
Robinets d'eau hors d'atteinte des tuyaux d'admission d'eau	2 tuyaux d'admission d'eau plus longs : Tuyau coudé à 90° de 6 pi (1,8 m), pièce numéro 76314 10 pi (3 m), pièce numéro 350008

Accessoires

Améliorez la fonctionnalité de votre laveuse/sécheuse avec ces accessoires de première qualité.

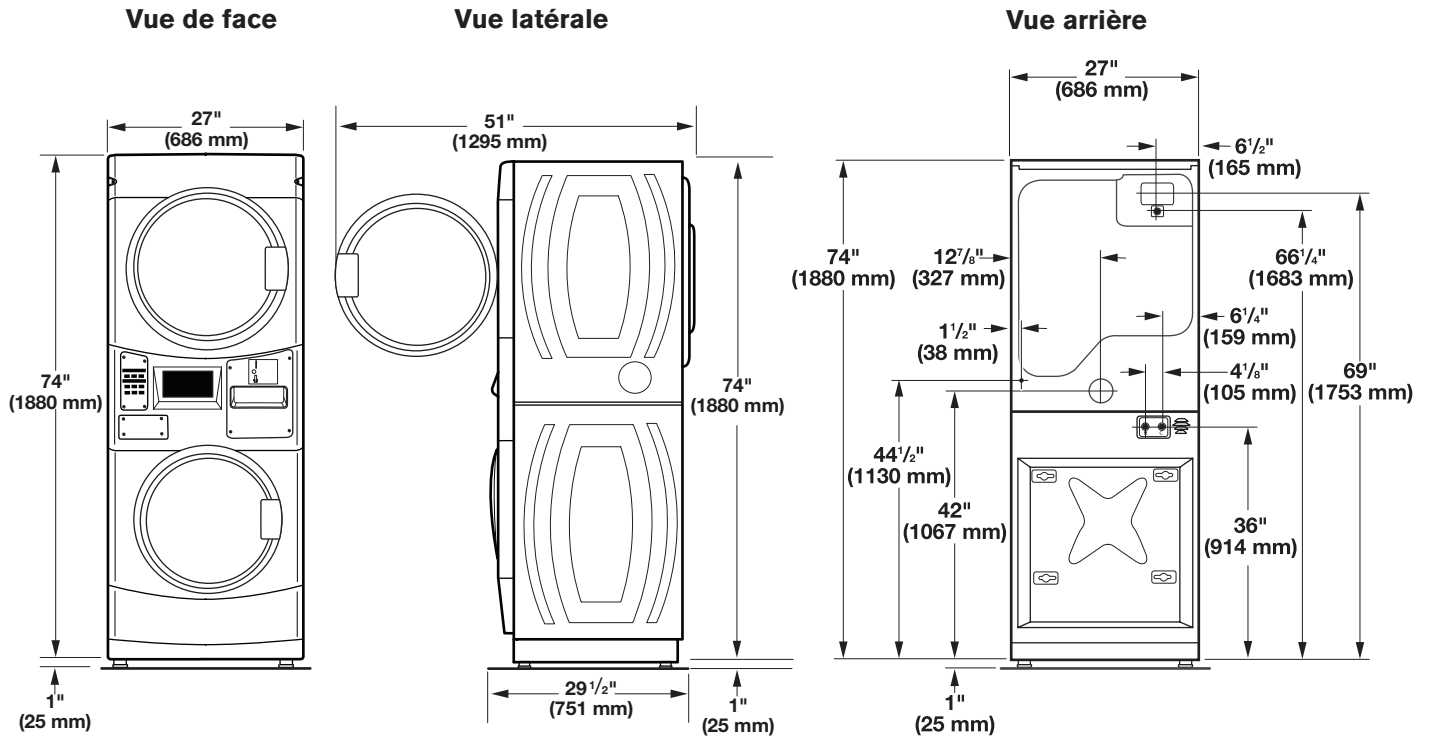
Pour d'autres articles de qualité ou pour commander, composer le **1-800-901-2042**, ou consulter notre site Web www.maytag.com/accessories.

Au Canada, composer le : **1-800-807-6777** ou consulter notre site Web www.whirlpoolparts.ca.

Numéro de pièce	Accessoire
8212526	Plateau d'égouttement de la laveuse, convient à tous les modèles
31682	Nettoyant tout-usage pour appareils ménagers
1903WH	Casier de rangement d'équipement de buanderie
279818	Trousse d'évacuation pour sécheuse à 3 voies
285834	Ensemble de brise-siphon

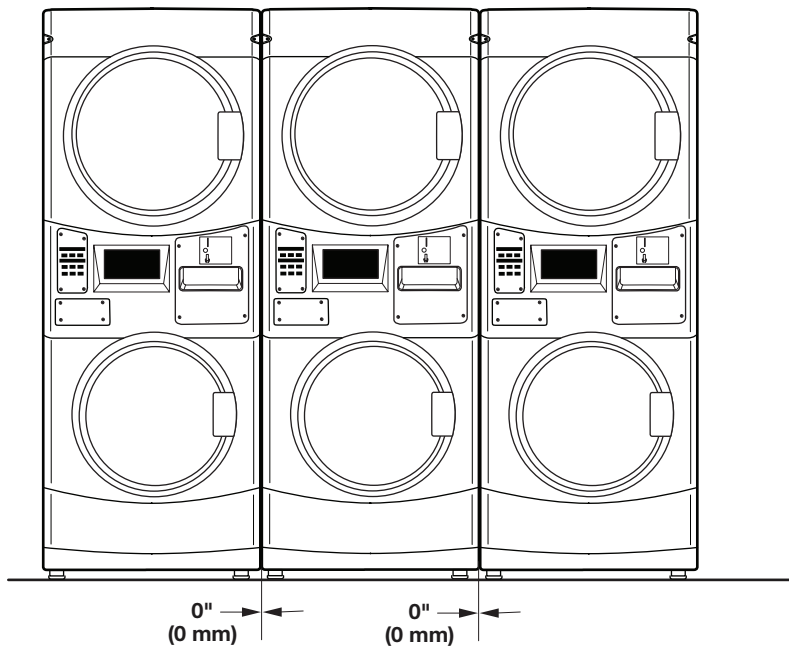
DIMENSIONS/DISTANCES DE DÉGAGEMENT

Dimensions

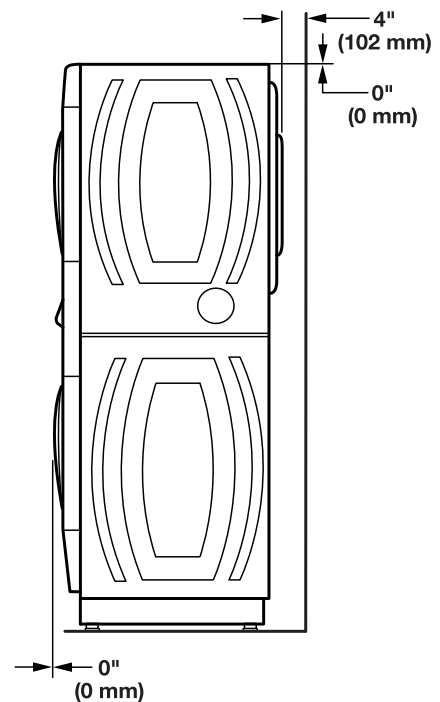


Distances de dégagement

Distances de dégagement latéral



Distances de dégagement arrière/sur le dessus



EXIGENCES D'INSTALLATION POUR LA LAVEUSE/ SÉCHEUSE À GAZ SUPERPOSÉES

Emplacement de la laveuse/sécheuse à gaz superposées

⚠ AVERTISSEMENT



Risque d'explosion

Garder les matières et les vapeurs inflammables, telle que l'essence, loin de la sécheuse.

Ne pas installer dans un garage.

Le non-respect de ces instructions peut causer un décès, une explosion ou un incendie.

Le choix d'un emplacement approprié pour la laveuse/sécheuse en améliore le rendement tout en réduisant le bruit et le "déplacement" de la laveuse.

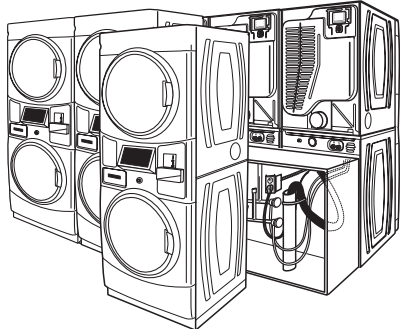
La laveuse/sécheuse peut être installée dans un sous-sol, une salle de buanderie ou un encastrement. Cette laveuse/sécheuse n'est pas conçue pour être installée dans une maison mobile ou un véhicule récréatif. Voir "Système de vidange".

Il faut aussi prendre en compte les exigences d'emplacement des appareils voisins.

IMPORTANT : Ne pas installer ou remiser la laveuse/sécheuse dans un endroit où elle sera exposée aux intempéries. Ne pas remiser ou faire fonctionner la laveuse/sécheuse à des températures égales ou inférieures à 32 °F (0 °C). Une quantité d'eau peut demeurer dans la laveuse et causer des dommages à des températures basses. C'est à l'utilisateur qu'incombe la responsabilité de réaliser une installation correcte.

Il vous faudra :

- Un chauffe-eau pour fournir de l'eau à 120 °F (49 °C) à la laveuse.
- Une prise électrique reliée à la terre située à moins de 6 pi (1,8 m) de la prise du cordon électrique se trouvant à l'arrière de la laveuse. Voir "Spécifications électriques".
- Des robinets d'eau chaude et d'eau froide situés à 4 pi (1,2 m) des valves de remplissage d'eau chaude et d'eau froide, et une pression d'eau de 20–100 psi (137,9–689,6 kPa).
- Un plancher de niveau ayant une pente maximale de 1" (25 mm) sous l'ensemble de la laveuse/sécheuse. L'installation de la laveuse/sécheuse sur des surfaces de sol molles, telles que tapis ou surfaces avec sous-couche en mousse n'est pas recommandée.
- Un plancher robuste et solide capable de soutenir le poids total de la laveuse/sécheuse (eau et charge) de 450 lb (204 kg).
- Un égout au plancher sous le module de la cloison. Les coffrages préfabriqués équipés de prises électriques, lignes d'arrivée d'eau et conduites d'évacuation doivent être utilisés seulement là où les codes locaux l'autorisent.



Distances de dégagement pour l'installation pour la laveuse/sécheuse à gaz superposées

- L'emplacement doit être assez grand pour permettre d'ouvrir complètement la porte de la laveuse et de la sécheuse.
- Prévoir davantage d'espace pour faciliter l'installation et l'entretien. Les portes s'ouvrent à plus de 180°. La porte de la laveuse est réversible.
- Un espace supplémentaire peut être requis pour les moulures de porte et de plancher et pour les plinthes.
- Un espace supplémentaire de 1" (25 mm) de tous les côtés de la laveuse/sécheuse est recommandé pour réduire le transfert du bruit.
- Il faut aussi prendre en compte l'espace requis entre les appareils voisins.

Lors de l'installation d'une sécheuse à gaz :

IMPORTANT : Observer les dispositions de tous les codes et règlements en vigueur.

- Vérifier les exigences des codes : Certains codes limitent ou n'autorisent pas l'installation d'une sécheuse dans un garage, un placard ou une chambre à coucher. Communiquer avec l'inspecteur en bâtiments local.
- S'assurer que les rebords inférieurs de la caisse ainsi que les côtés arrière et inférieurs de la laveuse, sont bien dégagés pour permettre une évacuation adéquate de l'air de combustion. Voir la section "Instructions d'installation dans un encastrement ou un placard" ci-dessous pour connaître les distances de dégagement minimales.

Instructions d'installation dans un encastrement

Cette laveuse/sécheuse peut être installée dans un encastrement. Pour les installations dans un encastrement, les distances de dégagement minimales sont indiquées sur l'étiquette d'avertissement à l'arrière de la sécheuse ou à la section "Dimensions/Distances de dégagement".

Les dimensions d'installation sont en pouces et constituent le minimum applicable. Un espace supplémentaire peut être nécessaire pour faciliter l'installation, l'entretien et pour observer les codes et règlements locaux.

REMARQUE : La sécheuse doit être évacuée à l'extérieur.

EXIGENCES D'INSTALLATION POUR LA LAVEUSE/ SÉCHEUSE À GAZ SUPERPOSÉES

Spécifications électriques pour la laveuse/sécheuse à gaz superposées

AVERTISSEMENT



Risque de choc électrique

Brancher sur une prise à 3 alvéoles reliée à la terre.

Ne pas enlever la broche de liaison à la terre.

Ne pas utiliser un adaptateur.

Ne pas utiliser un câble de rallonge.

Le non-respect de ces instructions peut causer un décès, un incendie ou un choc électrique.

IMPORTANT : La laveuse/sécheuse doit être reliée à la terre conformément aux codes et règlements locaux en vigueur, ou en l'absence de tels codes, avec la dernière édition du National Electrical Code, ANSI/NFPA 70, ou du Canadian Electrical Code, CSA C22.1. Si les codes le permettent et si on utilise un conducteur distinct de liaison à la terre, il est recommandé qu'un électricien qualifié vérifie la qualité de la liaison à la terre.

Pour obtenir un exemplaire des normes des codes ci-dessus, contacter :

National Fire Protection Association
One Batterymarch Park, Quincy, MA 02269
CSA International
8501 East Pleasant Valley Road
Cleveland, Ohio 44131-5575

- Ne pas utiliser une tuyauterie de gaz pour le raccordement à la terre.
- Ne pas installer un fusible dans le conducteur neutre ou le circuit de liaison à la terre.
- Une alimentation de 120 volts, 60 Hz, CA seulement, de 15 ou 20 ampères, protégée par un fusible est requise. On recommande également d'utiliser un fusible ou un disjoncteur temporisé. Il est recommandé de raccorder la laveuse/sécheuse sur un circuit distinct exclusif à cet appareil.
- Cette laveuse/sécheuse comporte un cordon d'alimentation électrique à trois broches pour liaison à la terre.
- Pour minimiser le risque de choc électrique, on doit brancher le cordon sur une prise de courant de configuration correspondante, à 3 alvéoles, reliée à la terre et installée conformément aux codes et règlements locaux. Si une prise de courant de configuration correspondante n'est pas disponible, le client a la responsabilité et l'obligation de faire installer par un électricien qualifié une prise de courant correctement reliée à la terre.
- Si les codes le permettent et si l'on utilise un conducteur distinct de liaison à la terre, il est recommandé qu'un électricien qualifié vérifie la qualité de la liaison à la terre.
- En cas de doute quant à la qualité de la liaison à la terre de la laveuse/sécheuse, consulter un électricien qualifié.

Mise à la terre de la laveuse/sécheuse à gaz superposées

INSTRUCTIONS DE LIAISON À LA TERRE

Pour une laveuse reliée à la terre et connectée par un cordon :

Cette laveuse doit être reliée à la terre. En cas d'anomalie de fonctionnement ou de panne, la liaison à la terre réduira le risque de choc électrique en offrant au courant électrique un itinéraire d'évacuation de moindre résistance. Cette laveuse est alimentée par un cordon électrique comportant un conducteur relié à la terre et une fiche de branchement munie d'une broche de liaison à la terre. La fiche doit être branchée sur une prise de courant appropriée qui est bien installée et reliée à la terre conformément à tous les codes et règlements locaux.

AVERTISSEMENT : Le raccordement incorrect de cet appareil au conducteur de liaison à la terre peut susciter un risque de choc électrique. En cas de doute quant à la qualité de la liaison à la terre de l'appareil, consulter un électricien ou technicien d'entretien qualifié.

Ne pas modifier la fiche de branchement fournie avec l'appareil – si la fiche ne correspond pas à la configuration de la prise de courant, demander à un électricien qualifié d'installer une prise de courant convenable.

Pour une laveuse raccordée en permanence :

Cette laveuse doit être raccordée à un système de câblage permanent en métal relié à la terre ou un conducteur relié à la terre doit être en fonction avec les conducteurs de circuit et raccordés à la borne de liaison à la terre ou la borne sur l'appareil ménager.

EXIGENCES D'INSTALLATION POUR LA LAVEUSE/ SÉCHEUSE À GAZ SUPERPOSÉES

Spécifications électriques pour la laveuse/sécheuse à gaz superposées (suite)

Mise à la terre de la laveuse/sécheuse à gaz superposées (suite)

INSTRUCTIONS DE LIAISON À LA TERRE

- Pour une sécheuse reliée à la terre et connectée par un cordon :

Cette sécheuse doit être reliée à la terre. En cas de mauvais fonctionnement ou de panne, la liaison à la terre réduira le risque de choc électrique en offrant au courant électrique un acheminement d'évacuation de moindre résistance. Cette sécheuse est alimentée par un cordon électrique comportant un conducteur relié à la terre et une fiche de branchement munie d'une broche de liaison à la terre. La fiche doit être branchée sur une prise appropriée qui est bien installée et reliée à la terre conformément à tous les codes et règlements locaux.

- Pour une sécheuse raccordée en permanence :
Cette sécheuse doit être raccordée à un système de câblage permanent en métal relié à la terre ou un conducteur relié à la terre doit être en fonction avec les conducteurs de circuit et raccordé à la borne de liaison à la terre ou la borne sur la sécheuse.

AVERTISSEMENT : Le raccordement incorrect de cet appareil au conducteur de liaison à la terre peut susciter un risque de choc électrique. En cas de doute quant à la qualité de liaison à la terre de la sécheuse, consulter un électricien ou un technicien ou un personnel qualifié. Ne pas modifier la fiche de branchement fournie avec la sécheuse; si la fiche ne correspond pas à la configuration de la prise de courant, demander à un électricien qualifié d'installer une prise de courant appropriée.

CONSERVEZ CES INSTRUCTIONS

Alimentation en gaz de la laveuse/sécheuse à gaz superposées

! AVERTISSEMENT



Risque d'explosion

Utiliser une canalisation neuve d'arrivée de gaz approuvée par CSA International.

Installer un robinet d'arrêt.

Bien serrer chaque organe de connexion de la canalisation de gaz.

En cas de connexion au gaz propane, demander à une personne qualifiée de s'assurer que la pression de gaz ne dépasse pas 330 mm (13 po) de la colonne d'eau.

Par personne qualifiée, on comprend :

**le personnel autorisé de chauffage,
le personnel autorisé d'une compagnie de gaz, et
le personnel d'entretien autorisé.**

Le non-respect de ces instructions peut causer un décès, un explosion ou un incendie.

IMPORTANT : Observer les dispositions de tous les codes et règlements en vigueur.

L'installation doit satisfaire aux critères de tous les codes et règlements locaux. En l'absence de code local, l'installation doit satisfaire aux prescriptions de la norme American National Standard, National Fuel Gas Code ANSI Z223.1/NFPA 54 ou CAN/CSA B149.

Pour obtenir un exemplaire des normes des codes ci-dessus, contacter :

National Fire Protection Association
One Batterymarch Park, Quincy, MA 02269
CSA International
8501 East Pleasant Valley Road
Cleveland, Ohio 44131-5575

La conception de cette laveuse/sécheuse a été homologuée par CSA International pour une utilisation jusqu'à une altitude de 10 000 pieds (3 048 m) au-dessus du niveau de la mer pour le débit thermique indiqué sur la plaque signalétique. Aucun réglage du brûleur n'est nécessaire lorsque la laveuse/sécheuse est utilisée à une altitude inférieure ou égale à cette valeur maximale.

Lorsque l'appareil est installé à une altitude supérieure à 10 000 pieds (3 048 m), on doit réduire de 4 % le débit thermique du brûleur indiqué sur la plaque signalétique pour chaque tranche de 1 000 pieds (305 m) d'augmentation de l'altitude. Pour obtenir de l'aide lors de la conversion à d'autres types de gaz et/ou l'installation de l'appareil à une altitude supérieure à 10 000 pieds (3048 m), contacter la société de dépannage la plus proche.

EXIGENCES D'INSTALLATION POUR LA LAVEUSE/ SÉCHEUSE ÉLECTRIQUES SUPERPOSÉES

Emplacement de la laveuse/sécheuse électriques superposées

⚠ AVERTISSEMENT



Risque d'explosion

Garder les matières et les vapeurs inflammables, telle que l'essence, loin de la sécheuse.

Ne pas installer dans un garage.

Le non-respect de ces instructions peut causer un décès, une explosion ou un incendie.

Le choix d'un emplacement approprié pour la laveuse/sécheuse en améliore le rendement tout en réduisant le bruit et le "déplacement" de la laveuse.

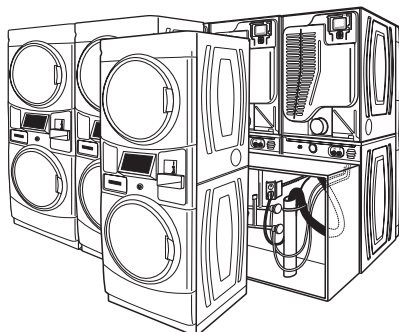
La laveuse/sécheuse peut être installée dans un sous-sol, une salle de buanderie ou un encastrement. Cette laveuse/sécheuse n'est pas conçue pour être installée dans une maison mobile ou un véhicule récréatif. Voir "Système de vidange".

Il faut aussi prendre en compte les exigences d'emplacement des appareils voisins.

IMPORTANT : Ne pas installer ou remiser la laveuse/sécheuse dans un endroit où elle sera exposée aux intempéries. Ne pas remiser ou faire fonctionner la laveuse/sécheuse à des températures égales ou inférieures à 32°F (0°C). Une quantité d'eau peut demeurer dans la laveuse et causer des dommages à des températures basses. C'est à l'utilisateur qu'incombe la responsabilité de réaliser une installation correcte.

Il vous faudra :

- Un chauffe-eau pour fournir de l'eau à 120°F (49°C) à la laveuse.
- Une prise électrique reliée à la terre située à moins de 6 pi (1,8 m) de la prise du cordon électrique se trouvant à l'arrière de la laveuse. Voir "Spécifications électriques".
- Des robinets d'eau chaude et d'eau froide situés à 4 pi (1,2 m) des valves de remplissage d'eau chaude et d'eau froide, et une pression d'eau de 20–100 psi (137,9–689,6 kPa).
- Un plancher de niveau ayant une pente maximale de 1" (25 mm) sous l'ensemble de la laveuse/sécheuse. L'installation de la laveuse/sécheuse sur des surfaces de sol molles, telles que tapis ou surfaces avec sous-couche en mousse n'est pas recommandée.
- Un plancher robuste et solide capable de soutenir le poids total de la laveuse/sécheuse (eau et charge) de 450 lb (204 kg).
- Un égout au plancher sous le module de la cloison. Les coffrages préfabriqués équipés de prises électriques, lignes d'arrivée d'eau et conduites d'évacuation doivent être utilisés seulement là où les codes locaux l'autorisent.



Distances de dégagement pour l'installation pour la laveuse/sécheuse électriques superposées

- L'emplacement doit être assez grand pour permettre d'ouvrir complètement la porte de la laveuse et de la sécheuse.
- Prévoir davantage d'espace pour faciliter l'installation et l'entretien. Les portes s'ouvrent à plus de 180°. La porte de la laveuse est réversible.
- Un espace supplémentaire peut être requis pour les moulures de porte et de plancher et pour les plinthes.
- Un espace supplémentaire de 1" (25 mm) de tous les côtés de la laveuse/sécheuse est recommandé pour réduire le transfert du bruit, et pour améliorer le rendement de l'essorage de la laveuse.
- Il faut aussi prendre en compte l'espace requis entre les appareils voisins.

Instructions d'installation dans un encastrement

Cette laveuse/sécheuse peut être installée dans un encastrement. Pour les installations dans un encastrement, les dimensions minimales de dégagement sont indiquées sur l'étiquette d'avertissement, à l'arrière de la sécheuse.

Les dimensions d'installation sont en pouces et constituent le minimum applicable. Un espace supplémentaire peut être nécessaire pour faciliter l'installation, l'entretien et pour observer les codes et règlements locaux.

REMARQUE : La sécheuse doit être évacuée à l'extérieur.

EXIGENCES D'INSTALLATION POUR LA LAVEUSE/ SÉCHEUSE ÉLECTRIQUES SUPERPOSÉES

Spécifications électriques de la laveuse

AVERTISSEMENT



Risque de choc électrique

Brancher sur une prise à 3 alvéoles reliée à la terre.

Ne pas enlever la broche de liaison à la terre.

Ne pas utiliser un adaptateur.

Ne pas utiliser un câble de rallonge.

Le non-respect de ces instructions peut causer un décès, un incendie ou un choc électrique.

- Ne pas installer un fusible dans le conducteur neutre ou le circuit de liaison à la terre.
- Cette laveuse/sécheuse comporte un cordon d'alimentation électrique à trois broches pour liaison à la terre.
- Pour minimiser le risque de choc électrique, on doit brancher le cordon sur une prise de courant de configuration correspondante, à 3 alvéoles, reliée à la terre et installée conformément aux codes et règlements locaux. Si une prise de courant de configuration correspondante n'est pas disponible, le client a la responsabilité et l'obligation de faire installer par un électricien qualifié une prise de courant correctement reliée à la terre.
- Si les codes le permettent et si l'on utilise un conducteur distinct de liaison à la terre, il est recommandé qu'un électricien qualifié vérifie la qualité de la liaison à la terre.
- En cas de doute quant à la qualité de la liaison à la terre de la laveuse, consulter un électricien qualifié.

Mise à la terre de la laveuse/sécheuse électriques superposées

INSTRUCTIONS DE LIAISON À LA TERRE

Pour une laveuse reliée à la terre et connectée par un cordon :

Cette laveuse doit être reliée à la terre. En cas d'anomalie de fonctionnement ou de panne, la liaison à la terre réduira le risque de choc électrique en offrant au courant électrique un itinéraire d'évacuation de moindre résistance. Cette laveuse est alimentée par un cordon électrique comportant un conducteur relié à la terre et une fiche de branchement munie d'une broche de liaison à la terre. La fiche doit être branchée sur une prise de courant appropriée qui est bien installée et reliée à la terre conformément à tous les codes et règlements locaux.

AVERTISSEMENT : Le raccordement incorrect de cet appareil au conducteur de liaison à la terre peut susciter un risque de choc électrique. En cas de doute quant à la qualité de la liaison à la terre de l'appareil, consulter un électricien ou technicien d'entretien qualifié.

Ne pas modifier la fiche de branchement fournie avec l'appareil – si la fiche ne correspond pas à la configuration de la prise de courant, demander à un électricien qualifié d'installer une prise de courant convenable.

Pour une laveuse raccordée en permanence :

Cette laveuse doit être raccordée à un système de câblage permanent en métal relié à la terre ou un conducteur relié à la terre doit être en fonction avec les conducteurs de circuit et raccordés à la borne de liaison à la terre ou la borne sur l'appareil ménager.

EXIGENCES D'INSTALLATION POUR LA LAVEUSE/ SÈCHEUSE ÉLECTRIQUES SUPERPOSÉES

Spécifications électriques de la laveuse/ sècheuse électriques superposées (suite)

Mise à la terre de la laveuse/sècheuse électriques superposées (suite)

INSTRUCTIONS DE LIAISON À LA TERRE

- Pour une sècheuse reliée à la terre et connectée par un cordon :

Cette sècheuse doit être reliée à la terre. En cas de mauvais fonctionnement ou de panne, la liaison à la terre réduira le risque de choc électrique en offrant au courant électrique un acheminement d'évacuation de moindre résistance. Cette sècheuse est alimentée par un cordon électrique comportant un conducteur relié à la terre et une fiche de branchement munie d'une broche de liaison à la terre. La fiche doit être branchée sur une prise appropriée qui est bien installée et reliée à la terre conformément à tous les codes et règlements locaux.

- Pour une sècheuse raccordée en permanence :

Cette sècheuse doit être raccordée à un système de câblage permanent en métal relié à la terre ou un conducteur relié à la terre doit être en fonction avec les conducteurs de circuit et raccordé à la borne de liaison à la terre ou la borne sur la sècheuse.

AVERTISSEMENT : Le raccordement incorrect de cet appareil au conducteur de liaison à la terre peut susciter un risque de choc électrique. En cas de doute quant à la qualité de liaison à la terre de la sècheuse, consulter un électricien ou un technicien ou un personnel qualifié. Ne pas modifier la fiche de branchement fournie avec la sècheuse; si la fiche ne correspond pas à la configuration de la prise de courant, demander à un électricien qualifié d'installer une prise de courant appropriée.

CONSERVEZ CES INSTRUCTIONS

EXIGENCES D'INSTALLATION POUR LA LAVEUSE/ SÉCHEUSE ÉLECTRIQUES SUPERPOSÉES

Spécifications électriques de la sècheuse

C'est à l'utilisateur qu'incombe la responsabilité de :

- Contacter un électricien qualifié.
- S'assurer que le raccordement électrique est adéquat et conforme au code national de l'électricité, ANSI/NFPA 70 – dernière édition, et à tous les codes et règlements locaux en vigueur.
- Le National Electrical Code impose un raccordement à 4 fils de l'alimentation électrique pour les maisons construites après 1996, les circuits de sècheuses modifiés après 1996 et toutes les installations en maisons mobiles.
- Pour obtenir un exemplaire des normes des codes ci-dessus, contacter : National Fire Protection Association, One Batterymarch Park, Quincy, MA 02269.
- L'appareil doit être alimenté uniquement par un circuit monophasé à 3 ou 4 fils de 240 V CA, 60 Hz (ou 3 ou 4 fils, 120/208 volts, si précisé sur la plaque signalétique) sur un circuit séparé à 30 ampères, avec fusible aux deux extrémités de la ligne. On recommande d'utiliser un fusible ou un disjoncteur temporisé. On recommande également que cet appareil soit alimenté par un circuit indépendant. Ne pas avoir de fusible dans le circuit neutre ou de liaison à la terre.
- Ne pas utiliser de câble de rallonge.
- Si les codes le permettent et si l'on utilise un conducteur distinct de liaison à la terre, il est recommandé qu'un électricien qualifié vérifie la qualité de la liaison à la terre.

Raccordement électrique

Pour installer la sècheuse de façon appropriée, il faut établir le type de raccords électriques que l'on utilisera et suivre les instructions aux présentes.

- Cette sècheuse est prête à l'installation avec un raccordement à l'alimentation électrique à 3 fils. Le fil de terre neutre est définitivement raccordé au conducteur neutre (fil blanc) à l'intérieur de la sècheuse. Si la sècheuse est installée avec un raccordement à 4 fils à l'alimentation électrique, le fil de terre neutre doit être retiré de la vis du connecteur de terre externe (vis verte) et fixé sous la borne du neutre (fil du centre ou blanc) du bornier. Lorsque le fil de terre neutre est fixé sous la borne du neutre (fil du centre ou blanc) du bornier, la caisse de la sècheuse est isolée du conducteur neutre.
- Si les codes locaux n'autorisent pas le raccordement d'un conducteur de liaison à la terre au fil neutre, voir "Raccordement optionnel à 3 fils".
- Un raccordement à 4 fils de l'alimentation électrique doit être utilisé lorsque l'appareil est installé dans un lieu où la mise à la terre par le conducteur neutre est interdite. Il est interdit de relier l'appareil à la terre par l'intermédiaire du conducteur neutre dans les cas suivants : (1) nouvelle installation de circuit secondaire, (2) résidence mobile, (3) véhicule de loisirs, et (4) juridictions dans lesquelles le code local interdit la liaison à la terre par l'intermédiaire du conducteur neutre.

Cordon d'alimentation de la sècheuse électrique

⚠ AVERTISSEMENT



Risque d'incendie

Utiliser un cordon d'alimentation électrique neuf homologué UL de 30 ampères.

Utiliser un réducteur de tension homologué UL.

Déconnecter la source de courant électrique avant de réaliser les connexions électriques.

Connecter le conducteur neutre (blanc ou conducteur central) à la borne centrale.

Le conducteur de liaison à la terre (vert ou nu) doit être relié au connecteur vert de liaison à la terre.

Connecter les 2 conducteurs d'alimentation restants aux 2 bornes (or) restantes.

Bien serrer chaque organe de connexion du branchement électrique.

Le non-respect de cette instruction peut causer un décès, un incendie ou un choc électrique.

En cas d'utilisation d'un câble d'alimentation électrique :

Utiliser un ensemble de câble d'alimentation électrique homologué UL marqué pour utilisation avec les sècheuses à vêtements. L'ensemble doit contenir :

- Un câble d'alimentation électrique homologué UL de 30 ampères, 240 volts minimum. Le cordon doit être de type SRD ou SRDT et mesurer au moins 4 pi (1,22 m) de long. Les fils raccordés à la sècheuse doivent se terminer par des cosses rondes ou des cosses en "U" à fourche, à pointes relevées.
- Un serre-câble (homologation UL).

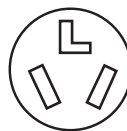
Si la prise murale ressemble à cela :



Prise murale à 4 fils (14-30R)

Choisir un câble d'alimentation à 4 fils avec cosses rondes ou à fourche et un serre-câble homologué UL. Le cordon d'alimentation électrique à 4 fils, d'au moins 4 pi (1,22 m) de long, doit avoir 4 fils en cuivre torsadés de calibre n° 10 et une fiche à 4 fils correspondante de type NEMA 14-30R. Le fil de liaison à la terre (le conducteur de liaison à la terre) peut être vert ou nu. Le conducteur neutre doit être identifié par une gaine blanche.

Si la prise murale ressemble à cela :



Prise murale à 3 fils (10-30R)

Choisir un câble d'alimentation à 3 fils avec cosses rondes ou à fourche et un serre-câble homologué UL. Le cordon d'alimentation électrique à 3 fils, d'au moins 4 pi (1,22 m) de long, doit comporter trois fils en cuivre torsadés de calibre 10 et une fiche à 3 fils correspondante de type NEMA 10-30R.

EXIGENCES D'INSTALLATION POUR LA LAVEUSE/ SÉCHEUSE ÉLECTRIQUES SUPERPOSÉES

Raccordement par câblage direct de la sécheuse

AVERTISSEMENT



Risque d'incendie

Utiliser du fil en cuivre de calibre 10.

Utiliser un réducteur de tension homologué UL.

Déconnecter la source de courant électrique avant de réaliser les connexions électriques.

Connecter le conducteur neutre (blanc ou conducteur central) à la borne centrale.

Le conducteur de liaison à la terre (vert ou nu) doit être relié au connecteur vert de liaison à la terre.

Connecter les 2 conducteurs d'alimentation restants aux 2 bornes (or) restantes.

Bien serrer chaque organe de connexion du branchement électrique.

Le non-respect de cette instruction peut causer un décès, un incendie ou un choc électrique.

Pour le raccordement direct :

Le câble d'alimentation doit correspondre à l'alimentation électrique (4 fils ou 3 fils) et être :

- Un câble en cuivre à gaine non métallique ou blindé souple (avec fil de liaison à la terre), avec conduit métallique souple. Tous les fils sous tension doivent être isolés.
- Fil en cuivre plein de calibre 10 (ne pas utiliser d'aluminium).
- D'au moins 5 pi (1,52 m) de long.

EXIGENCES CONCERNANT L'ÉVACUATION DE LA SÉCHEUSE

⚠ AVERTISSEMENT



Risque d'incendie

Utiliser un conduit d'évacuation en métal lourd.

Ne pas utiliser un conduit d'évacuation en plastique.

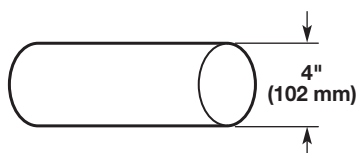
Ne pas utiliser un conduit d'évacuation en feuille de métal.

Le non-respect de ces instructions peut causer un décès ou un incendie.

AVERTISSEMENT : Pour réduire le risque d'incendie, cette sècheuse doit ÉVACUER L'AIR À L'EXTÉRIEUR.

IMPORTANT : Observer les dispositions de tous les codes et règlements en vigueur.

Le conduit d'évacuation de la sècheuse ne doit pas être raccordé à une évacuation de gaz, une cheminée, un mur, un plafond, un grenier, un vide sanitaire ou un vide de construction. Seul un conduit d'évacuation métallique rigide ou souple doit être utilisé pour le système d'évacuation.



Conduit d'évacuation en métal lourd de 4" (102 mm)

- Utiliser uniquement un conduit d'évacuation en métal lourd de 4" (102 mm) et des brides de serrage.
- Ne pas utiliser de conduit de plastique ou de métal très mince.

Conduit métallique rigide :

- Recommandé pour une performance de séchage idéale afin d'éviter tout écrasement ou déformation.

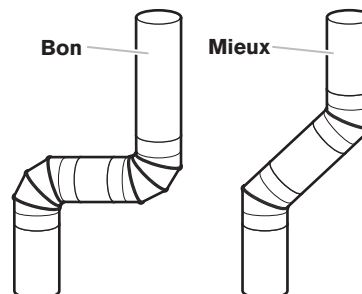
Conduit métallique flexible : (Acceptable uniquement si son accès reste facile pour le nettoyage)

- Doit être entièrement déployé et soutenu à l'emplacement d'installation final de la sècheuse.
- Enlever tout excès de conduit flexible pour éviter tout affaissement et déformation susceptible de réduire la capacité d'évacuation et le rendement.
- Ne pas installer le conduit métallique flexible dans des cavités fermées de mur, plafonds ou planchers.
- La longueur totale ne doit pas dépasser 7³/₄ pi (2,4 m).

REMARQUE : Lors de l'utilisation d'un système d'évacuation existant, nettoyer et éliminer la charpie sur toute la longueur du système, et veiller à ce que le clapet d'évacuation ne soit pas obstrué par de la charpie. Remplacer tout conduit de plastique ou en aluminium par un conduit métallique rigide ou souple. Consulter à nouveau le tableau des systèmes d'évacuations et modifier le système d'évacuation existant au besoin pour obtenir un meilleur séchage.

Coudes :

- Les coudes à 45° permettent une meilleure circulation de l'air que les coudes à 90°.



Brides de serrage :

- Utiliser des brides pour sceller tous les joints.
- Le conduit d'évacuation ne doit pas être raccordé ou fixé avec des vis ou tout autre dispositif de serrage qui se prolongerait à l'intérieur du conduit et retiendrait la charpie. Ne pas utiliser de ruban adhésif pour conduit.



Une mauvaise évacuation de l'air peut causer de l'humidité et une accumulation de charpie à l'intérieur de la maison, ce qui peut provoquer :

- Dommages par l'humidité aux boiseries, meubles, peinture, papier-peint, tapis, etc.
- Problèmes de nettoyage dans la maison et problèmes de santé.

EXIGENCES CONCERNANT L'ÉVACUATION DE LA SÉCHEUSE

Hottes d'extraction

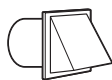
Clapets d'évacuation – Diamètre de 4" (102 mm)



Clapet de type boîte

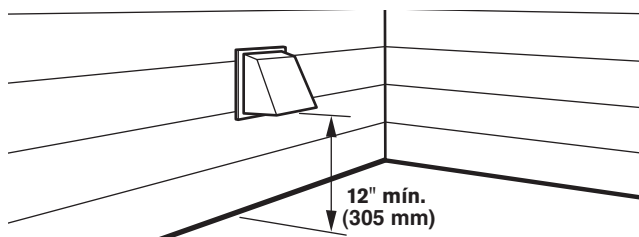


Clapet à persiennes



Clapet incliné

Le clapet de décharge doit se trouver à au moins 12" (305 mm) au-dessus du sol ou de tout autre objet susceptible de se trouver sur le trajet de l'air humide rejeté (par exemple, fleurs, roches, buissons ou neige).



Longueur du système d'évacuation

Longueur maximale du conduit/raccord

La longueur maximale du système d'évacuation dépend du type de conduit utilisé, du nombre de coudes et du type de clapet d'évacuation.

Tableau des systèmes d'évacuation (conduit en métal rigide)

Nbre de changements de direction à 90°	Clapet de type	
	boîte ou à persiennes	Clapet incliné
0	135 pi (41,2 m)	129 pi (39,3 m)
1	125 pi (38,1 m)	119 pi (36,3 m)
2	115 pi (35,1 m)	109 pi (33,2 m)
3	106 pi (32,3 m)	100 pi (30,5 m)
4	98 pi (29,9 m)	92 pi (28,0 m)

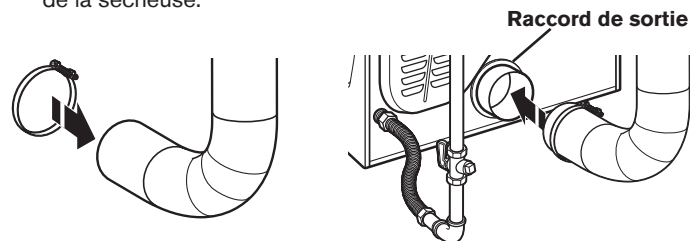
Pour les systèmes d'évacuation autres que ceux indiqués dans le tableau des systèmes d'évacuation, consulter le revendeur de pièces.

Prévoir un espace suffisant pour la combustion et la ventilation de l'air. (Vérifier les dispositions des codes et règlements en vigueur). Voir "Instructions d'installation dans un encastrement ou un placard" dans les sections "Emplacement de la laveuse/sécheuse à gaz superposées" et "Emplacement de la laveuse/sécheuse électriques superposées".

Il est préférable d'utiliser une sortie de hotte de 4" (102 mm). Cependant, on peut utiliser un clapet d'évacuation de 2½" (64 mm). Une sortie de 2½" (64 mm) cause davantage de contre-pression que les autres types d'installation. Pour une installation permanente, un système d'évacuation fixe est requis.

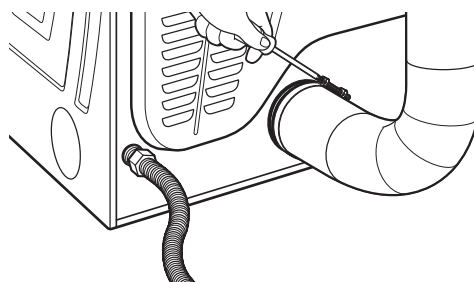
Raccordement du conduit d'évacuation

1. Si on utilise le conduit d'évacuation existant, s'assurer qu'il est propre.
2. À l'aide d'une bride de fixation de 4" (102 mm), relier le conduit d'évacuation à la bouche d'évacuation de la sécheuse.

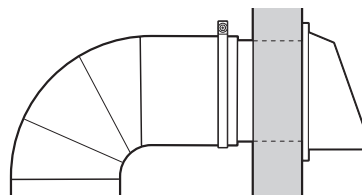


REMARQUE : Ne pas enlever le raccord de sortie.

3. Serrer la bride de serrage de tuyau avec un tournevis Phillips.



4. S'assurer que le conduit d'évacuation est fixé au clapet d'évacuation à l'aide d'une bride de fixation de 4" (102 mm).

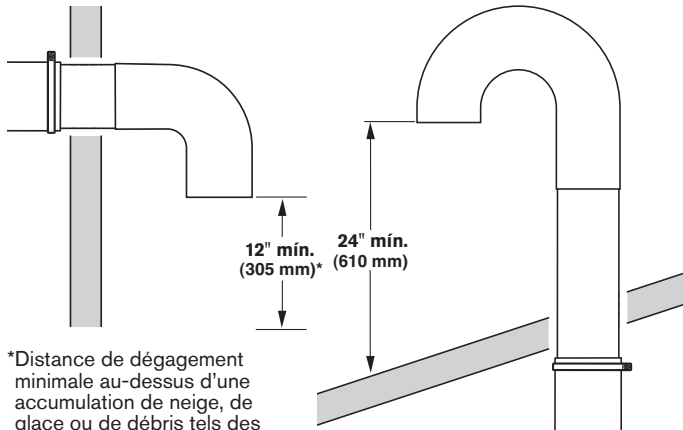


5. Placer la sécheuse à son emplacement final. Ne pas écraser ni pincer le conduit d'évacuation. Vérifier que la sécheuse est d'aplomb.

EXIGENCES CONCERNANT L'ÉVACUATION DE LA SÈCHEUSE

Si on ne peut pas utiliser de clapet d'évacuation

L'extérieur du conduit d'évacuation principal doit comporter un conduit de déviation orienté vers le bas.



Si le conduit principal monte verticalement à travers le toit et non à travers le mur, installer un coude de déviation à 180° à l'extrémité du conduit d'au moins 2 pi (610 mm) au-dessus de la surface ou du toit.

Le diamètre de l'ouverture dans le toit ou le mur doit être supérieur de 1/2" (13 mm) à celui du conduit. Le conduit doit être centré dans l'ouverture.

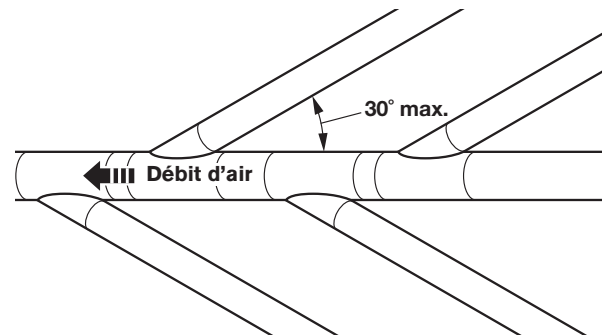
Pour de meilleures performances, ne pas installer de grillage à l'extrémité de l'évacuation.

Évacuation pour plusieurs sècheuses

On peut utiliser un conduit principal pour assurer l'évacuation d'un ensemble de sècheuses. La taille du conduit principal doit permettre une évacuation de 200 CFM d'air pour chaque sècheuse. On peut utiliser des filtres à charpie haute capacité correctement conçus dans le conduit principal s'ils sont inspectés et nettoyés régulièrement. La pièce dans laquelle se trouvent les sècheuses doit comporter un système d'air d'appoint au moins égal au CFM de toutes les sècheuses qui se trouvent dans la pièce.

Un ensemble clapet anti-retour, référence n°3391910, est disponible auprès de votre distributeur et doit être installé sur la ligne d'évacuation de chaque sècheuse pour éviter que l'air évacué revienne dans les sècheuses et pour maintenir l'évacuation en équilibre avec le conduit de sortie principal. Des ouvertures dégagées pour le retour d'air sont nécessaires.

Chaque conduit doit pénétrer dans le conduit principal en direction du mouvement de circulation de l'air. Les évacuations par l'autre côté doivent être placées en quinconce (décalées) pour réduire les interférences avec l'air sortant des autres évacuations en face.



L'inclinaison maximale de chaque conduit qui pénètre dans le conduit principal ne doit pas dépasser 30°.

SPÉCIFICATIONS DE L'ALIMENTATION EN GAZ DE LA SÈCHEUSE

Type de gaz

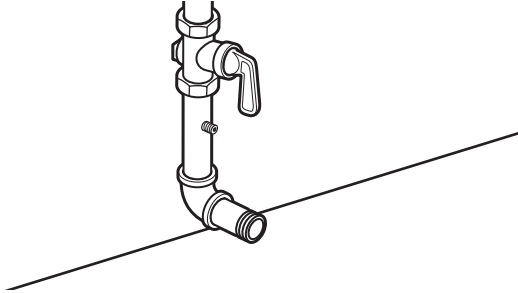
Cette sècheuse est équipée pour une alimentation au gaz naturel. Sa conception est homologuée par CSA International pour l'alimentation au gaz de pétrole liquéfié (propane ou butane), avec conversion appropriée. Ne pas entreprendre de convertir la sècheuse pour une utilisation avec un gaz différent de celui indiqué sur la plaque signalétique sans consulter le fournisseur de gaz au préalable. L'opération de conversion doit être exécutée par un technicien de réparation qualifié.

Les numéros de pièce de l'ensemble de conversion de gaz sont indiqués sur la base des brûleurs.

Canalisation d'alimentation en gaz

Méthode recommandée

Installer une canalisation de gaz rigide de 1/2" (13 mm) jusqu'à l'emplacement d'installation de la sècheuse. On doit utiliser un composé d'étanchéité des tuyauteries résistant à l'action du gaz de pétrole liquéfié. Ne pas utiliser de ruban TEFLON®†. Pour l'alimentation au propane, le diamètre des canalisations ou tuyaux doit être de 1/2" (13 mm) minimum. En général, le fournisseur de gaz propane détermine les matériaux à utiliser et le diamètre approprié pour le circuit.



Test de pressurisation de la canalisation de gaz

Un piquage bouché de 1/8" (3 mm) NPT minimum, accessible pour le contrôle de pression, doit être installé immédiatement en aval du robinet d'arrêt installé pour la sècheuse (comme illustré ci-dessous). Lors de toute épreuve de pressurisation du système à une pression supérieure à 1/2 lb/po² (352 kg/m²), on doit déconnecter la sècheuse de la tuyauterie de l'alimentation en gaz.

Méthode alternative

L'alimentation en gaz peut aussi être raccordée à l'aide d'un conduit en cuivre ou en aluminium homologué de 3/8" (10 mm). Si la longueur totale de la canalisation d'alimentation est supérieure à 20 pi (6,1 m), utiliser un conduit de taille supérieure.

Pour le gaz naturel, ne pas utiliser de conduits en cuivre. On doit utiliser un composé d'étanchéité des tuyauteries résistant à l'action du gaz d'alimentation.

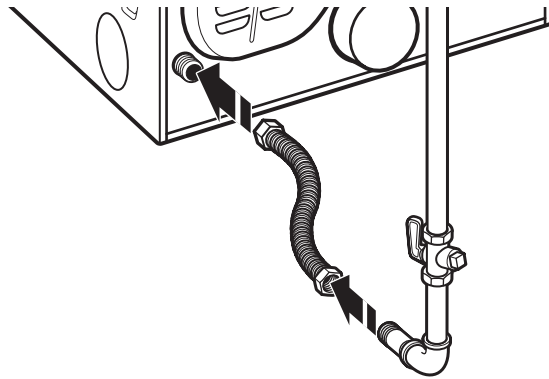
Robinet d'arrêt nécessaire

La canalisation d'alimentation doit comporter un robinet d'arrêt individuel manuel installé à 6 pi (1,8 m) maximum de la sècheuse conformément au National Fuel Gas Code, ANSI Z223.1. Le robinet doit se trouver dans la même pièce que la sècheuse. La canalisation doit se trouver en un endroit facilement accessible pour les manœuvres d'ouverture/fermeture. Ne pas entraver l'accès au robinet d'arrêt manuel. Au Canada, un robinet d'arrêt individuel doit être installé conformément aux codes d'installation B149.1 CAN/CGA B149.1 et CAN/CGA B149.2.

Raccord métallique flexible pour appareil ménager :

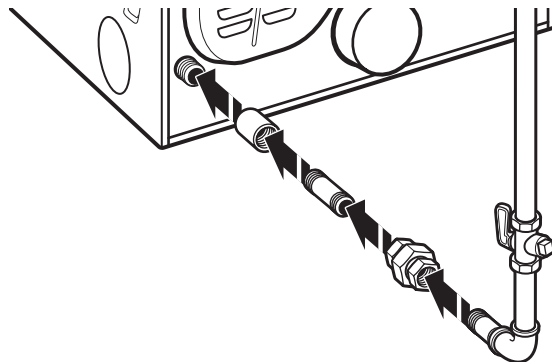
Il est recommandé d'utiliser une canalisation en acier inoxydable souple neuve, conception homologuée par CSA International, pour raccorder la sècheuse à la conduite d'alimentation en gaz. (La canalisation d'arrivée de gaz émergeant au niveau de la partie inférieure arrière de la sècheuse est dotée d'un filetage mâle de 3/8" [10 mm]).

REMARQUE : Ne pas déformer/endommager la canalisation en acier inoxydable flexible lors du déplacement de la porte.



Raccordement par conduit rigide

On doit utiliser un ensemble de raccords pour réaliser un raccordement rigide à la sècheuse.



†®TEFLON est une marque déposée de Chemours.

INSTALLATION DE LA LAVEUSE/SÉCHEUSE SUPERPOSÉES

Élimination des accessoires de transport

REMARQUE : Faire glisser la sécheuse sur le carton ou le panneau dur avant de la déplacer pour éviter d'endommager le revêtement du sol.

⚠ AVERTISSEMENT

Risque du poids excessif

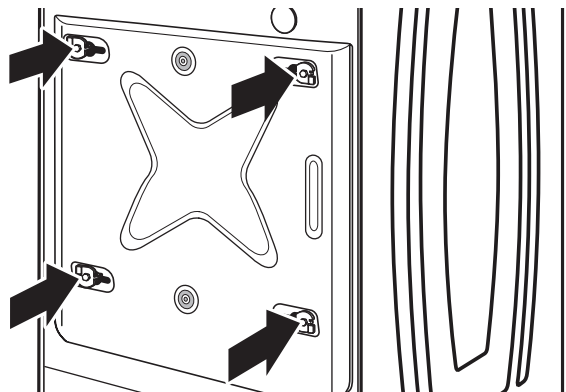
Utiliser deux ou plus de personnes pour déplacer et installer la laveuse/sécheuse.

Le non-respect de cette instruction peut causer une blessure au dos ou d'autre blessure.

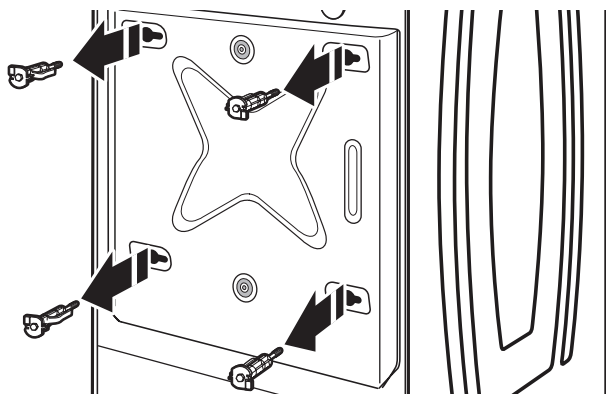
IMPORTANT : Positionner la laveuse/sécheuse de sorte que l'arrière de la laveuse se trouve à environ 3 pi (900 mm) de son emplacement final.

Sur le panneau arrière de la laveuse, 4 boulons de calage supportent le système de suspension durant le transport. Ces boulons retiennent aussi le cordon d'alimentation à l'intérieur de la laveuse jusqu'à ce qu'on les retire.

1. La laveuse/sécheuse doit se trouver en position verticale lors du retrait des boulons de calage.
2. À l'aide d'une clé de 1/2" (13 mm), desserrer chaque boulon.

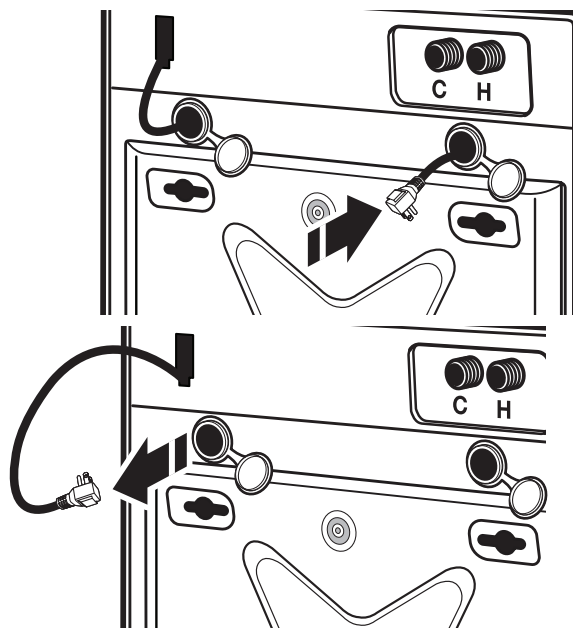


3. Une fois le boulon desserré, le déplacer au centre du trou et le retirer complètement, y compris la cale d'espacement en plastique couvrant le boulon. Une fois les quatre boulons retirés, jeter les boulons et les cales d'espacement.

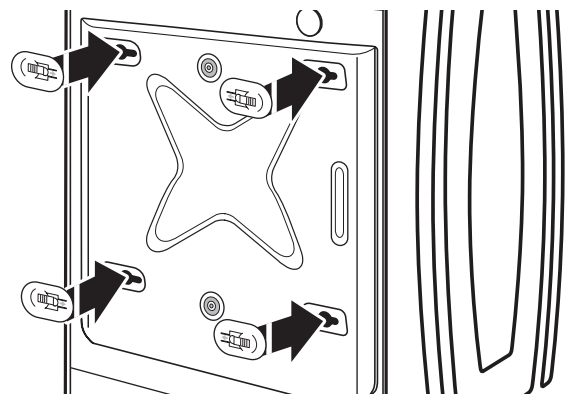


4. Les modèles avec un cordon d'alimentation séparé : Enfoncer la prise du cordon d'alimentation dans l'ouverture à droite du panneau arrière et tirer le cordon d'alimentation à travers l'ouverture à gauche du panneau arrière, puis boucher les trous à l'aide du capuchon fourni. Ne pas tirer l'extrémité du côté prise du cordon d'alimentation par le trou de droite.

REMARQUE : Pour éviter d'endommager les parties internes de la laveuse ou le cordon d'alimentation, si le cordon se retire difficilement du panneau arrière de la laveuse, ne pas forcer dessus. Retirer le panneau arrière de la laveuse et introduire le cordon d'alimentation de manière à ce qu'il contourne l'obstacle puis le faire ressortir par le trou du côté gauche du panneau arrière.



5. Obturer les trous des boulons de transport avec les quatre bouchons prévus à cet effet.

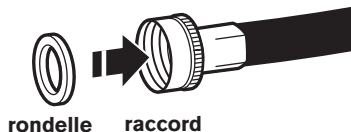


IMPORTANT : Si la laveuse/sécheuse doit être transportée, appeler le revendeur ou l'installateur du produit. Pour éviter d'endommager la suspension et la structure de la laveuse/sécheuse, celle-ci doit être correctement préparée pour déplacement éventuel par un technicien certifié.

INSTALLATION DE LA LAVEUSE/SÉCHEUSE SUPERPOSÉES

Raccordement des tuyaux d'alimentation

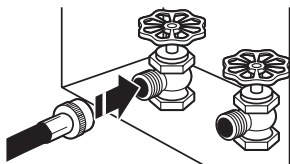
Insérer les rondelles de tuyau neuves (fournies) dans chaque extrémité des tuyaux d'arrivée d'eau. Insérer fermement les rondelles dans les raccords.



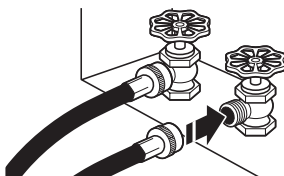
Raccorder les tuyaux d'arrivée d'eau aux robinets

S'assurer que le tambour de la laveuse est vide.

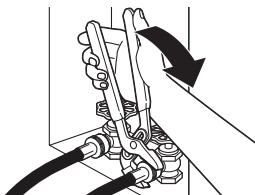
1. Fixer un tuyau au robinet d'eau chaude. Visser complètement le raccord à la main pour qu'il comprime la rondelle.



2. Fixer un tuyau au robinet d'eau froide. Visser complètement le raccord à la main pour qu'il comprime la rondelle.



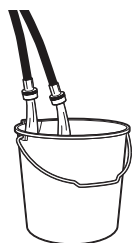
3. Terminer le serrage des raccords – deux tiers de tour avec une pince.



REMARQUE : Ne pas serrer excessivement ou utiliser du ruban adhésif ou un calfeutrant sur le robinet. Les robinets risquent d'être endommagés.

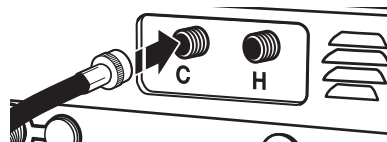
Purger les canalisations d'eau

- Laisser s'écouler l'eau des deux robinets et les tuyaux d'arrivée d'eau dans un évier de buanderie, un tuyau rigide de rejet à l'égoût ou un seau pour éliminer les particules se trouvant dans les canalisations d'eau qui pourraient obstruer les tamis de la valve d'arrivée d'eau.
- Vérifier la température de l'eau pour s'assurer que le tuyau d'eau chaude est connecté au robinet d'eau chaude et que le tuyau d'eau froide est connecté au robinet d'eau froide.

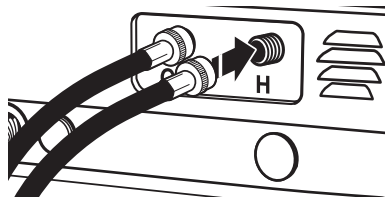


Connecter les tuyaux d'arrivée d'eau à la laveuse

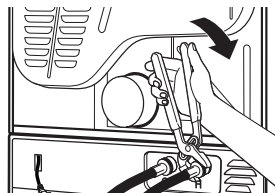
1. Fixer le tuyau d'eau froide au robinet d'arrivée d'eau froide de la laveuse. Visser complètement le raccord à la main pour qu'il comprime la rondelle.



2. Fixer le tuyau d'eau froide au robinet d'arrivée d'eau chaude de la laveuse. Visser complètement le raccord à la main pour qu'il comprime la rondelle.

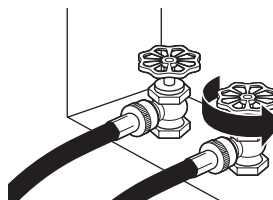


3. Terminer le serrage des raccords – deux tiers de tour avec une pince.



REMARQUE : Ne pas serrer excessivement. Les robinets risquent d'être endommagés.

4. Ouvrir les robinets d'eau complètement et vérifier s'il y a des fuites.



REMARQUE : Remplacer les tuyaux d'arrivée d'eau après 5 ans d'utilisation pour réduire le risque de défaillance intempestive. Prendre note de la date d'installation ou de remplacement des tuyaux d'arrivée d'eau, pour référence ultérieure. Inspecter périodiquement les tuyaux et les remplacer en cas de renflement, de déformation, de coupure, d'usure ou de fuite.

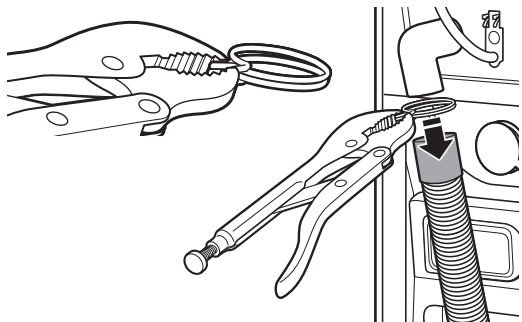
INSTALLATION DE LA LAVEUSE/SÉCHEUSE SUPERPOSÉES

Acheminer le tuyau d'évacuation

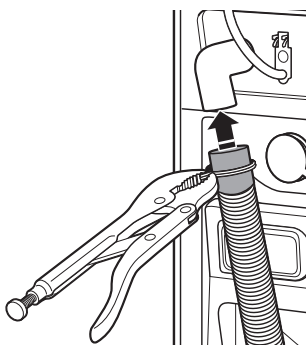
Le bon acheminement du tuyau de vidange évite d'endommager le sol à cause de fuites d'eau. Lire et suivre ces instructions.

Retirer le tuyau de vidange du tambour de la laveuse

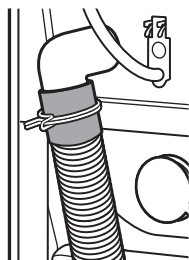
1. À l'aide d'une pince multiprise, serrer les deux onglets de la bride de tuyau et insérer la bride sur l'extrémité du tuyau de vidange.



2. Faire glisser le tuyau de vidange sur le raccord de la laveuse.

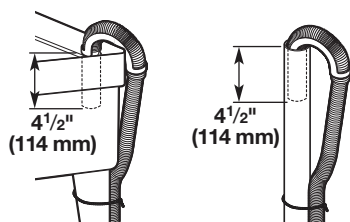


3. Une fois le tuyau de vidange en place, relâcher la prise de la pince.



Immobiliser le tuyau de vidange

1. Faire passer le cordon d'alimentation par-dessus la laveuse.
2. Déplacer la laveuse à son emplacement final.
3. Placer le tuyau de vidange dans l'évier de buanderie ou le tuyau de rejet à l'égout – voir l'illustration.
4. Immobiliser le tuyau de vidange avec l'attache de fixation perlée fournie.



4. Le système de vidange de la laveuse peut être installé à l'aide d'un avaloir sol, un tuyau rigide de rejet à l'égout mural, un tuyau rigide de rejet à l'égout au sol ou un évier de buanderie.

Décharge de l'eau de lavage dans un évier de buanderie ou tuyau de rejet à l'égout

Connecter la bride de retenue pour tuyau de vidange sur le tuyau de vidange ondulé.

Emboîter une extrémité ou l'autre de la bride de retenue pour tuyau de vidange sur le tuyau de vidange, au point de commencement des ondulations.



Plier le tuyau de vidange pour le mettre au contact de la bride de retenue du tuyau de vidange, et emboîter l'autre extrémité de la bride sur le tuyau.

REMARQUE : L'extrémité du tuyau ne doit pas dépasser de plus de 1" (25 mm) de la bride de retenue.



Pour empêcher l'eau de vidange de refluer dans la laveuse :

- Ne pas redresser le tuyau de vidange ni forcer l'excédent de tuyau dans le tuyau rigide de rejet à l'égout. Le tuyau doit être bien immobilisé, tout en permettant le passage d'air.
- Ne pas mettre l'excédent du tuyau de vidange dans le fond de l'évier de buanderie.

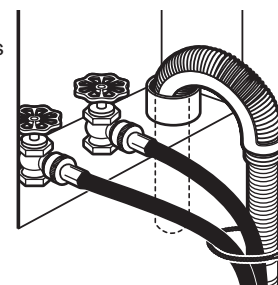
Égout au sol

Il vous faudra peut-être des pièces supplémentaires. Voir "Pièces supplémentaires".

5. Si les robinets d'eau et le tuyau rigide de rejet à l'égout sont placés en retrait, introduire l'extrémité en crochet du tuyau de vidange dans le tuyau rigide de rejet à l'égout – voir l'illustration.

REMARQUES :

- Ne pas forcer l'excédent de tuyau de vidange dans l'arrière de la laveuse.
- Pour éviter un effet de siphon, ne pas assurer l'étanchéité à la jonction entre le tuyau de vidange et le tuyau de rejet à l'égout.



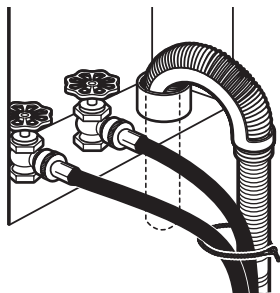
SYSTÈME D'ÉVACUATION DE LA LAVEUSE

La laveuse peut être installée en utilisant le système de rejet à l'égout (au sol ou mural), le système de vidange de l'évier de buanderie ou l'avaloir de sol.

Système de vidange avec tuyau rigide de rejet à l'égout – mural ou au sol

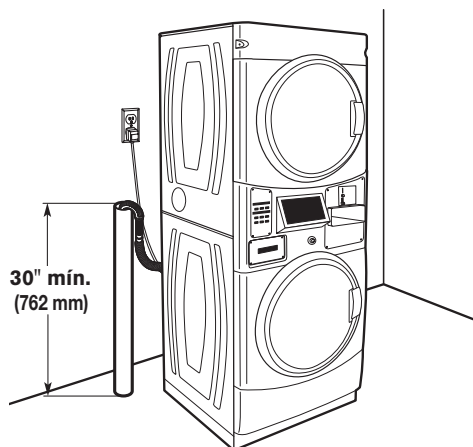
Le système de rejet à l'égout nécessite un tuyau de diamètre minimum de 2" (50 mm). La capacité minimale d'acheminement ne doit pas être inférieure à 10 gal. (38 L) par minute.

Mur



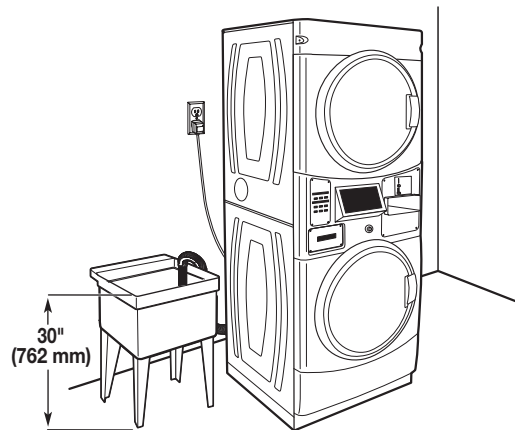
Le sommet du tuyau de rejet à l'égout doit être au moins à 30" (762 mm) de hauteur et au maximum à 96" (2,4 m) de la base de la laveuse.

Sol



Système de vidange dans un évier de buanderie

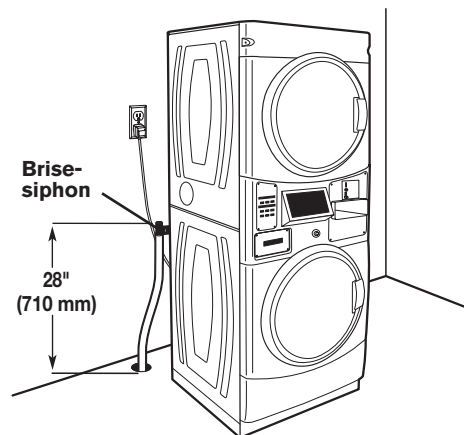
L'évier de buanderie doit avoir une capacité minimale de 20 gal. (76 L). La partie supérieure de l'évier de buanderie doit être à au moins 30" (762 mm) au-dessus du sol.



Système de vidange au sol

Le système de vidange au sol nécessite un brise-siphon qui peut être acheté séparément.

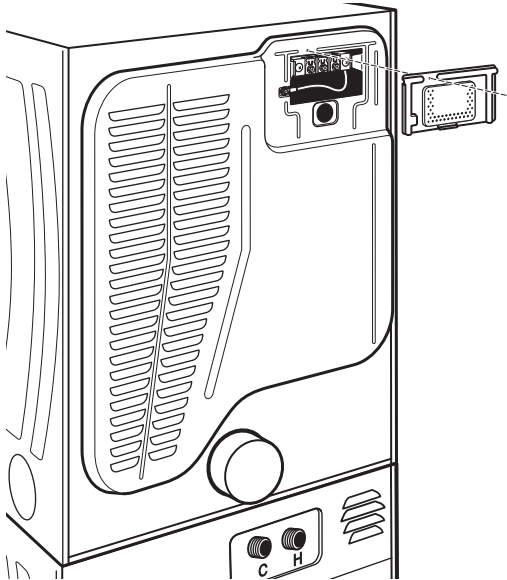
Le brise-siphon (pièce numéro 285834) doit se trouver au moins à 28" (710 mm) de la base de la laveuse. Des tuyaux supplémentaires peuvent s'avérer nécessaires.



RACCORDEMENTS DE LA SÈCHEUSE ÉLECTRIQUE

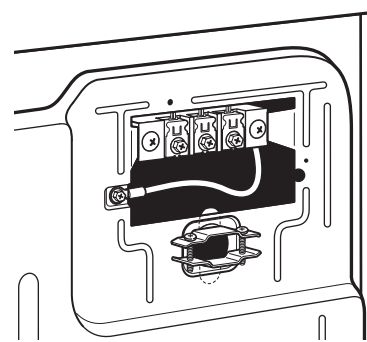
Serre-câble

Retirer le couvercle du bornier

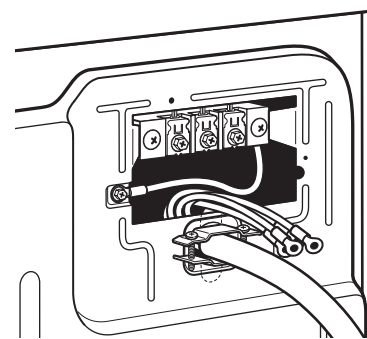


Serre-câble du cordon d'alimentation

1. Insérer le serre-câble.



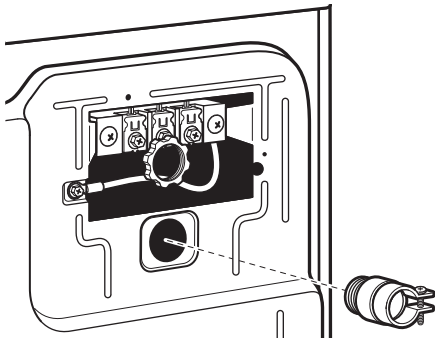
2. Insérer le serre-câble dans le cordon d'alimentation.



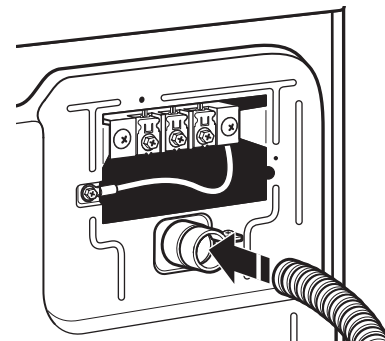
Serre-câble

Serre-câble pour câblage direct

1. Insérer le serre-câble.



2. Insérer le conduit dans le serre-câble et serrer la bride.

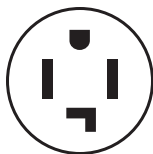


RACCORDEMENTS DE LA SÈCHEUSE ÉLECTRIQUE

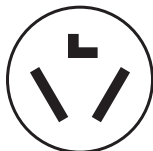
Options de raccordement

Cordon d'alimentation

Prise murale à 4 fils (type NEMA 14-30R)

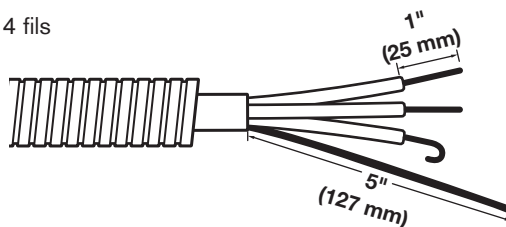


Prise murale à 3 fils (type NEMA 10-30R)

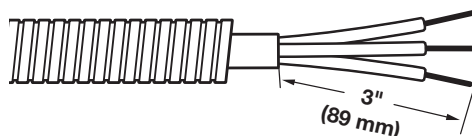


Raccordement par câblage direct

Direct – 4 fils



Direct – 3 fils



Raccordement de la connexion à 4 fils : Cordon d'alimentation

IMPORTANT : Un raccordement à 4 fils est obligatoire pour les maisons mobiles et lorsque les codes locaux n'autorisent pas l'utilisation de raccordements à 3 fils.

Connecteurs standard pour cordon d'alimentation



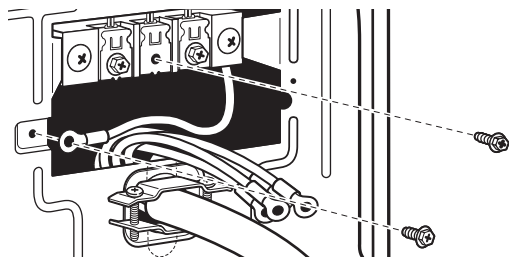
Connecteur à fourche et pointes relevées



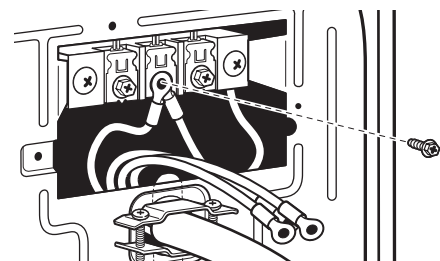
Connecteur rond

Raccordement du conducteur de mise à la terre et du conducteur neutre

1. Retirer la vis de la borne centrale du bornier et le conducteur de mise à la terre en retirant la vis du connecteur de terre externe.

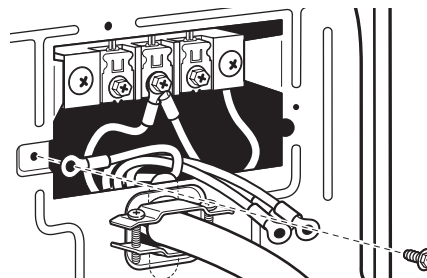


2. Connecter le conducteur de mise à la terre et le conducteur neutre à la borne centrale du bornier.



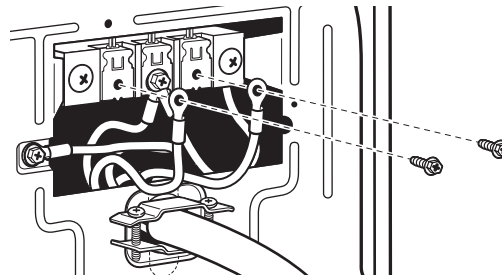
Raccordement direct du conducteur de terre

3. Connecter le conducteur de mise à la terre (vert ou nu) à la vis du connecteur de mise à la terre externe.



Connecter les conducteurs restants

4. Connecter les conducteurs restants aux vis les plus à l'extérieur du bornier.



RACCORDEMENTS DE LA SÈCHEUSE ÉLECTRIQUE

Raccordement de la connexion à 3 fils : Cordon d'alimentation

Connecteurs standard pour cordon d'alimentation



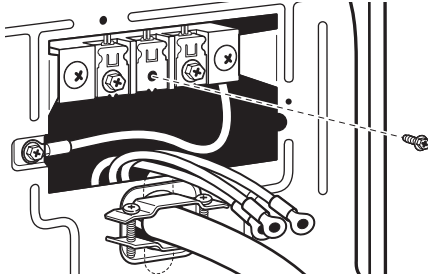
Connecteur à fourche
et pointes relevées



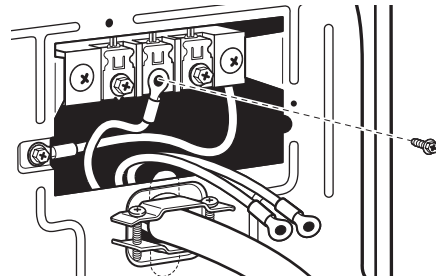
Connecteur rond

Raccordement du conducteur neutre

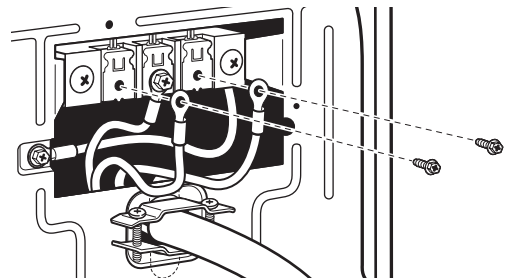
1. Desserrer ou retirer la vis de la borne centrale du bornier.



2. Connecter le conducteur neutre à la borne centrale du bornier.



3. Connecter les conducteurs restants aux vis les plus à l'extérieur du bornier.



Raccordement de la connexion à 4 fils : Raccordement par câblage direct

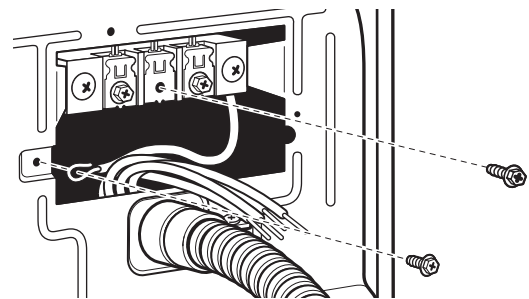
IMPORTANT : Un raccordement à 4 fils est obligatoire pour les maisons mobiles et lorsque les codes locaux n'autorisent pas l'utilisation de raccordements à 3 fils.

Le câble à raccordement direct doit avoir une longueur supplémentaire de 5 pi (1,52 m) pour pouvoir déplacer la sècheuse si nécessaire.

Dénuder une longueur de 5" (127 mm) de gaine extérieure à l'extrémité du câble, en laissant le conducteur de mise à la terre nu à la longueur de 5" (127 mm). Couper 1 1/2" (38 mm) des 3 conducteurs restants. Dénuder les conducteurs sur une longueur de 1" (25 mm). Former des crochets aux extrémités des conducteurs.

Raccordement du conducteur de mise à la terre et du conducteur neutre

1. Retirer la vis de la borne centrale du bornier et le conducteur de mise à la terre en retirant la vis du connecteur de terre externe.

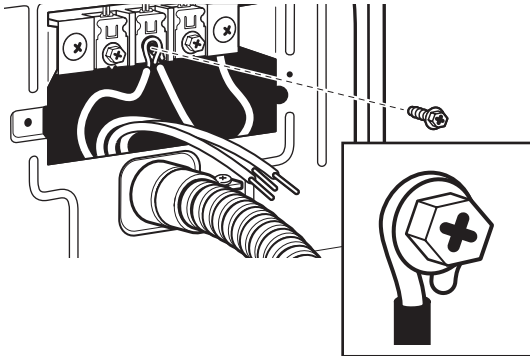


RACCORDEMENTS DE LA SÈCHEUSE ÉLECTRIQUE

Raccordement de la connexion à 4 fils : Raccordement par câblage direct

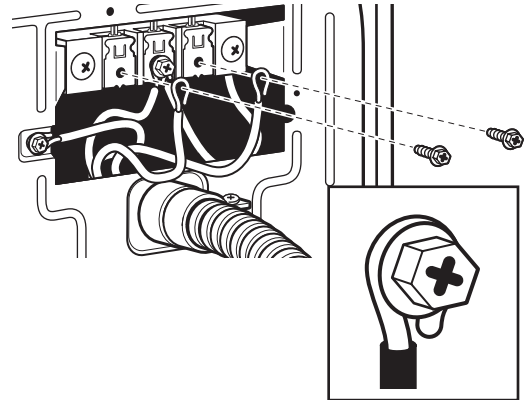
Raccordement du conducteur de mise à la terre et du conducteur neutre (suite)

2. Connecter le conducteur de mise à la terre et le conducteur neutre à la borne centrale du bornier.



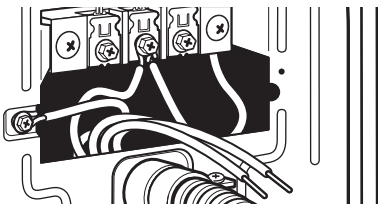
Connecter les conducteurs restants

4. Connecter les conducteurs restants aux bornes les plus à l'extérieur.



Raccordement direct du conducteur de terre

3. Connecter le conducteur de mise à la terre (vert ou nu) à la vis du connecteur de mise à la terre externe.



Raccordement de la connexion à 3 fils : Raccordement par câblage direct

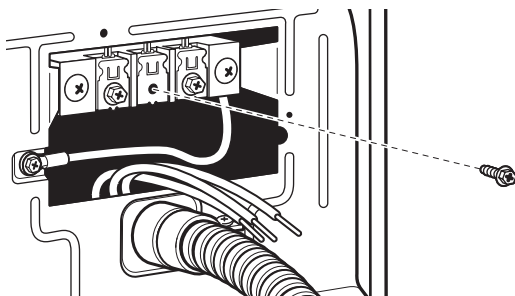
À utiliser lorsque les codes locaux autorisent la connexion du conducteur de masse de la caisse au conducteur neutre.

Le câble à raccordement direct doit avoir une longueur supplémentaire de 5 pi (1,52 m) pour pouvoir déplacer la sècheuse si nécessaire.

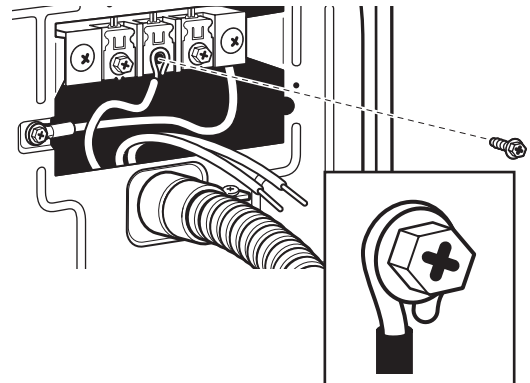
Dénuder une longueur de 3 1/2" (89 mm) de gaine extérieure à l'extrémité du câble. Dénuder les conducteurs sur une longueur de 1" (25 mm). En cas d'utilisation d'un câble à 3 fils avec conducteur de mise à la terre, couper le fil nu au même niveau que la gaine extérieure. Former des crochets aux extrémités des conducteurs.

Raccordement du conducteur neutre

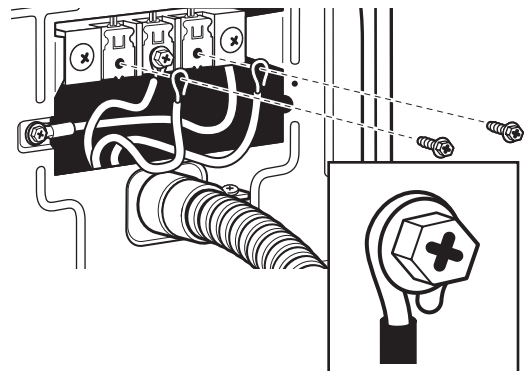
1. Desserrer ou retirer la vis de la borne centrale du bornier.



2. Connecter le conducteur neutre à la borne centrale du bornier.



3. Connecter les conducteurs restants aux bornes les plus à l'extérieur.



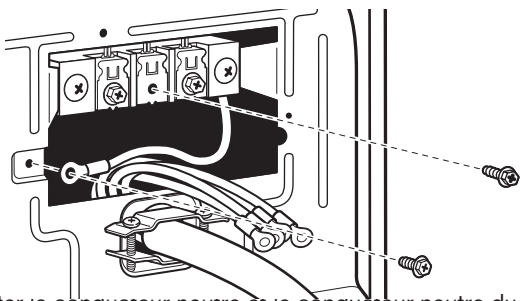
RACCORDEMENTS DE LA SÈCHEUSE ÉLECTRIQUE

Raccordement de la connexion à 3 fils : Facultatif

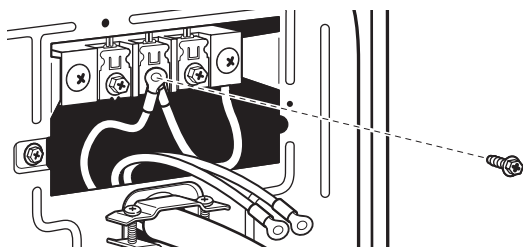
À utiliser pour le raccordement direct ou le cordon d'alimentation si les codes locaux ne permettent pas le raccordement du conducteur de terre de la caisse au neutre.

Raccordement du conducteur neutre

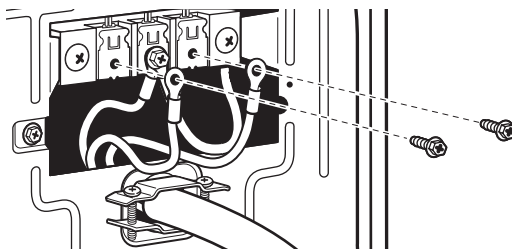
1. Retirer la vis de la borne centrale. Retirer également le conducteur de mise à la terre neutre en retirant la vis du conducteur de mise à la terre externe.



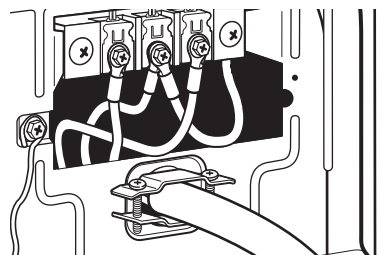
2. Connecter le conducteur neutre et le conducteur neutre du cordon d'alimentation/câble à la borne centrale.



3. Connecter les conducteurs restants aux bornes les plus à l'extérieur.



4. Raccorder un autre conducteur de mise à la terre en cuivre depuis le conducteur de mise à la terre externe jusqu'à une terre adéquate.



NIVELLEMENT

Nivellement de la laveuse/sècheuse superposées

Le nivellement de la laveuse/sècheuse permet le bruit et les vibrations excessifs.

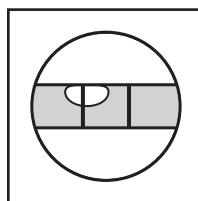
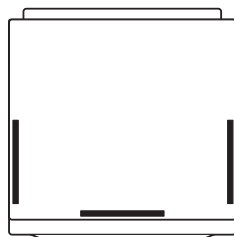
⚠ AVERTISSEMENT

Risque du poids excessif

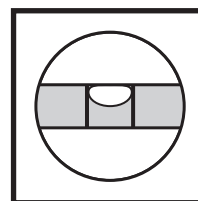
Utiliser deux ou plus de personnes pour déplacer et installer la laveuse/sècheuse.

Le non-respect de cette instruction peut causer une blessure au dos ou d'autre blessure.

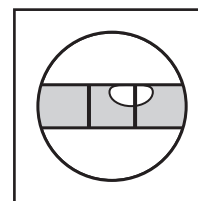
1. Enlever la plaque de carton placée sous la laveuse. Placer un niveau sur les bords supérieurs de la laveuse/sècheuse en contrôlant chaque côté et l'avant. Si elle n'est pas d'aplomb, faire basculer la laveuse/sècheuse et régler les pieds vers le haut ou vers le bas tel qu'indiqué dans les étapes 3 et 4, et recommencer si nécessaire.



Pas d'aplomb



D'APLOMB

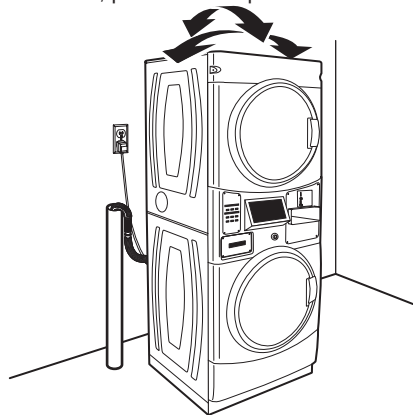


Pas d'aplomb

NIVELLEMENT

Nivellement de la laveuse/sécheuse superposées (suite)

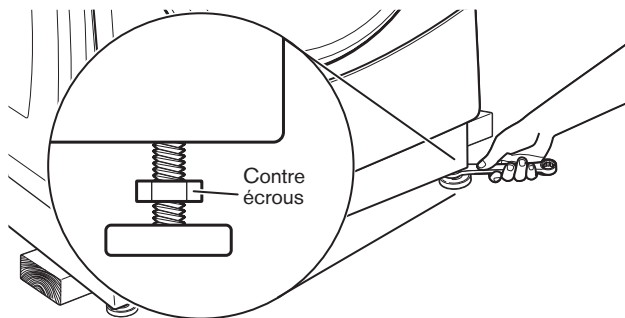
2. Saisir la laveuse/sécheuse par le dessus et la faire basculer d'avant en arrière tout en s'assurant que les quatre pieds sont en contact ferme avec le sol. Faire de nouveau basculer la laveuse/sécheuse, transversalement. Si la laveuse/sécheuse bascule, passer à l'étape 3 et ajuster les pieds de nivellement. Si les quatre pieds sont en contact ferme avec le sol, passer à l'étape 4.



3. Si la laveuse/sécheuse n'est pas d'aplomb, utiliser une clé plate ou une clé à molette de 9/16" ou 14 mm pour tourner les contre-écrous dans le sens horaire (vue du dessus) sur les pieds jusqu'à ce qu'ils se trouvent à environ 1/2" (13 mm) de la caisse de la laveuse/sécheuse. Tourner ensuite le pied de nivellement dans le sens antihoraire pour abaisser la laveuse/sécheuse ou dans le sens horaire pour les soulever.

Contrôler à nouveau l'aplomb de la laveuse/sécheuse et vérifier que les quatre pieds sont en contact ferme avec le sol. Répéter si nécessaire.

CONSEIL UTILE : Il serait judicieux de soulever l'avant de la laveuse/sécheuse d'environ 4" (102 mm) à l'aide d'une cale en bois ou d'un objet similaire qui soutiendra le poids de la laveuse/sécheuse.



4. Après que l'aplomb de la laveuse/sécheuse a été établi et que les quatre pieds sont en contact ferme avec le sol, tourner les contre-écrous dans le sens antihoraire (vue du dessus) sur les pieds de nivellement à l'aide d'une clé plate ou d'une clé à molette de 9/16" ou 14 mm jusqu'à ce qu'ils soient bien serrés contre la caisse de la laveuse/sécheuse.

CONSEIL UTILE : On devra peut-être de nouveau soulever légèrement la laveuse/sécheuse à l'aide d'une cale de bois.

Achever l'installation

1. Consulter les spécifications électriques. Vérifier que la tension électrique disponible est correcte et que la prise de courant est convenablement reliée à la terre. Voir "Spécifications électriques".
2. Vérifier que toutes les pièces sont maintenant installées. S'il reste une pièce, passer en revue les différentes étapes.
3. Vérifier la présence de tous les outils.
4. Éliminer/recycler tous les matériaux d'emballage.
5. Vérifier que les robinets d'eau sont ouverts.
6. Vérifier qu'il n'y a pas de fuite autour des robinets et des tuyaux d'arrivée d'eau.

8. Pour tester et nettoyer la laveuse, mesurer la moitié de la quantité de détergent HE Haute efficacité recommandée par le fabricant pour une charge de taille moyenne. Verser le détergent dans le distributeur de détergent. Sélectionner un programme et laisser la laveuse exécuter ce programme en entier.
9. Contrôler le bon fonctionnement de la sécheuse. Choisir un programme avec niveau de chaleur maximal et laisser la sécheuse fonctionner pendant au moins cinq minutes. La sécheuse s'arrête une fois la durée écoulée.

REMARQUE : La porte de la sécheuse doit être fermée pour que celle-ci puisse fonctionner. Si l'on ouvre la porte, la sécheuse s'arrête mais la minuterie continue à fonctionner. Pour redémarrer la sécheuse, fermer la porte et appuyer sur le bouton de programme souhaité.

Si le brûleur ne s'allume pas et qu'on ne ressent pas de chaleur à l'intérieur de la sécheuse, éteindre la sécheuse pendant cinq minutes. Vérifier que toutes les manettes des vannes d'alimentation sont en position ouverte ("ON") et que le cordon électrique est branché. Répéter le test de 5 minutes décrit ci-dessus.

⚠ AVERTISSEMENT



Risque de choc électrique

Brancher sur une prise à 3 alvéoles reliée à la terre.

Ne pas enlever la broche de liaison à la terre.

Ne pas utiliser un adaptateur.

Ne pas utiliser un câble de rallonge.

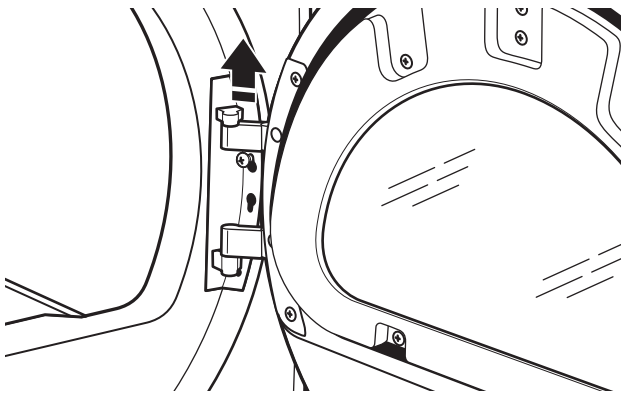
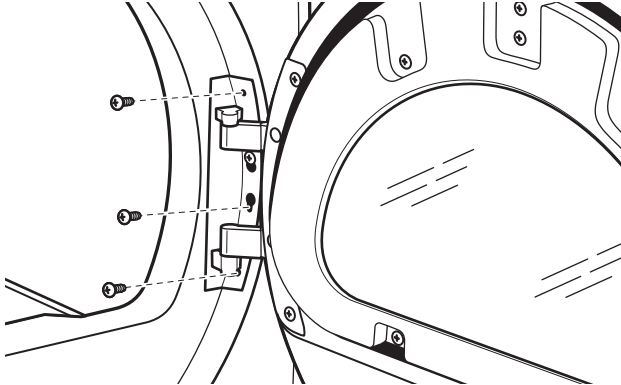
Le non-respect de ces instructions peut causer un décès, un incendie ou un choc électrique.

7. Brancher sur une prise reliée à la terre ou connecter la source de courant électrique.

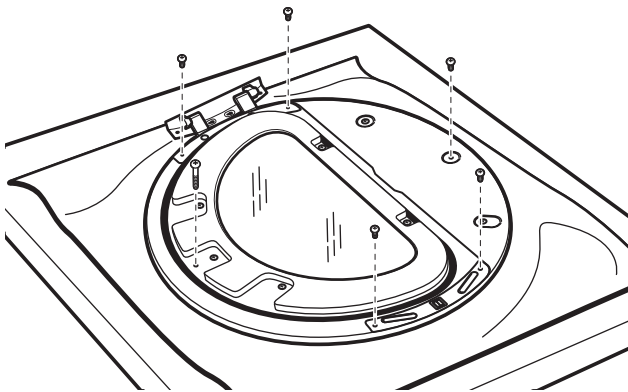
INVERSION DU SENS D'OUVERTURE DE LA PORTE DE LA SÉCHEUSE (FACULTATIF)

Dépose de la porte

1. Placer une serviette ou un chiffon doux sur le dessus de la sècheuse ou du plan de travail pour éviter d'érafler la surface.
2. Enlever trois des quatre vis qui maintiennent la charnière de la porte sur le panneau avant de la sècheuse. Desserrer partiellement la vis restante dans l'ouverture en forme de trou de serrure et soulever la porte pour la dégager de la vis.

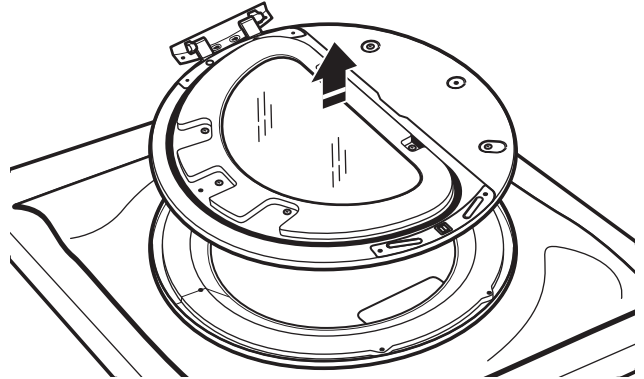


3. Poser la porte sur une surface plane préparée à l'avance en orientant l'intérieur (partie interne de la porte) vers le haut et retirer les six vis Phillips pour séparer la partie externe de la porte de la partie interne.

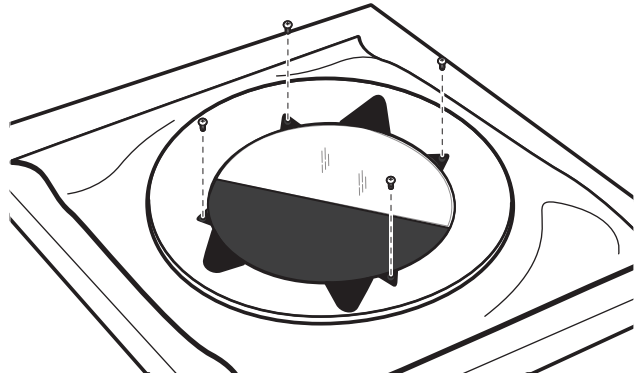


REMARQUE: Il est important d'enlever uniquement les six vis indiquées.

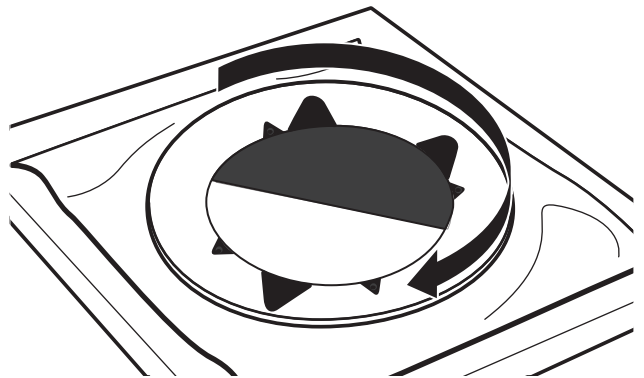
4. Soulever la partie interne de la porte pour la dégager de la partie externe.



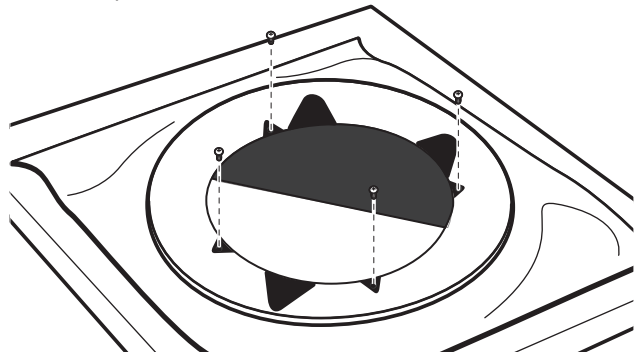
5. Enlever les quatre vis à tête Phillips pour séparer l'insert centrale de l'anneau externe de la porte.



6. Soulever l'insert centrale et le faire pivoter de 180 degrés.



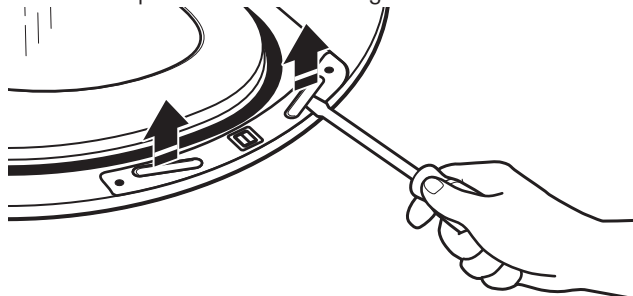
7. Réassembler l'insert centrale et l'anneau externe de la porte à l'aide des quatre vis.



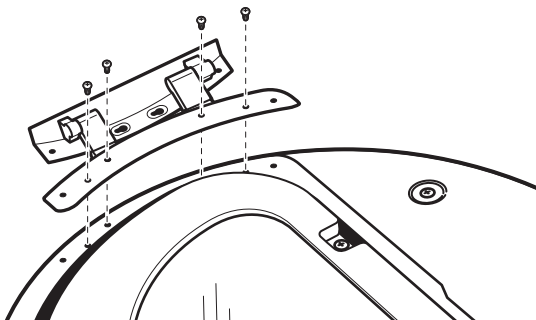
INVERSION DU SENS D'OUVERTURE DE LA PORTE DE LA SÈCHEUSE (FACULTATIF)

Inversion de la charnière

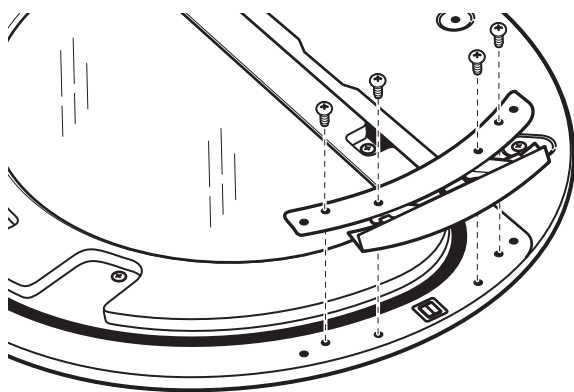
1. Utiliser un petit tournevis à lame plate pour enlever deux pitons d'obturation de la partie interne de la porte. Faire glisser la tête du tournevis sous les pitons, en veillant à ne pas érafler la partie interne de la porte et soulever la languette.



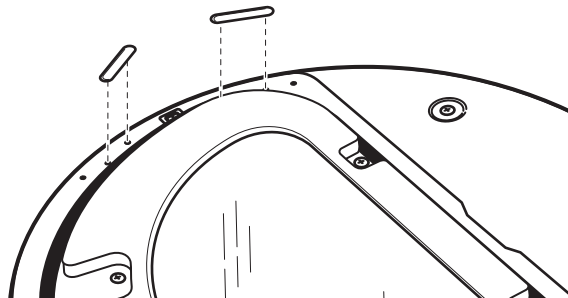
2. Retirer les 4 vis fixant la charnière de porte interne.



3. Déplacer la charnière de l'autre côté. Réinstaller les 4 vis.



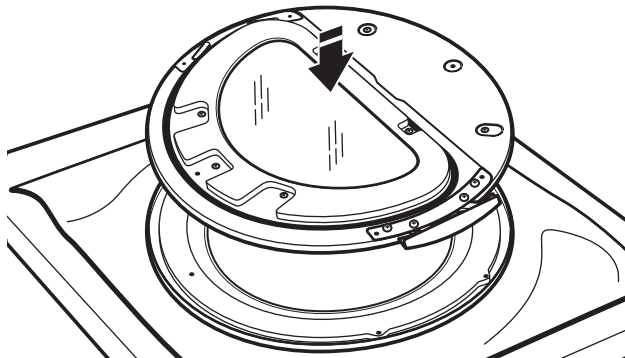
4. Réinstaller les pitons d'obturation sur le côté opposé de la porte interne.



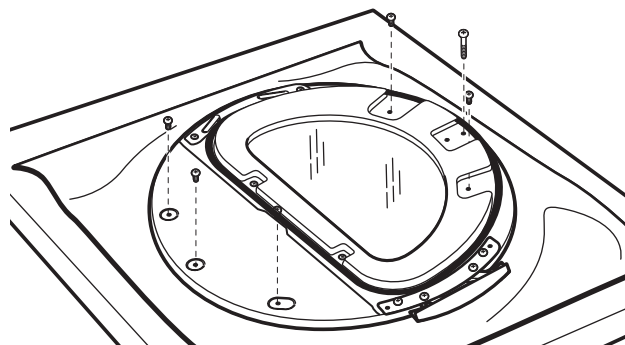
5. Vérifier qu'il n'y a pas de marques de doigts sur le verre. Nettoyer au besoin.

Remplacement de la porte

1. Placer la partie interne de la porte à l'intérieur de la partie externe.

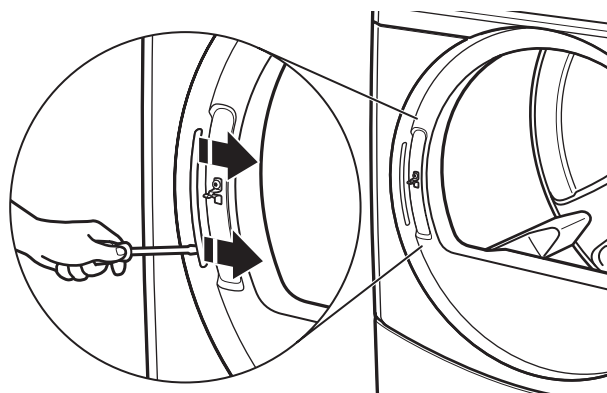


2. Assembler de nouveau les parties interne et externe de la porte avec les 6 vis.



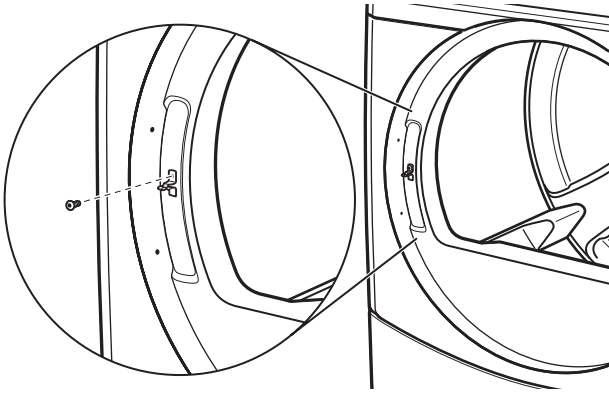
Inversion de la gâche

1. Utiliser un petit tournevis à lame plate pour enlever les pitons d'obturation dans l'ouverture de la porte du sèche-linge. Faire glisser la tête du tournevis sous les pitons, en veillant à ne pas érafler la surface de la sècheuse et soulever la languette.



INVERSION DU SENS D'OUVERTURE DE LA PORTE DE LA SÈCHEUSE (FACULTATIF)

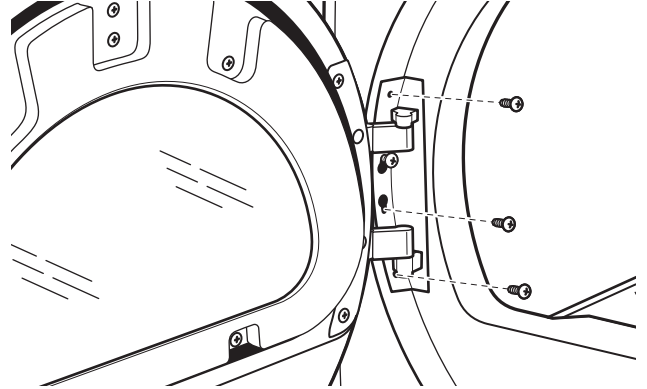
2. Retirer la gâche à l'aide d'un tournevis Phillips.



3. Installer la gâche du côté opposé.

Réinstallation de la porte

1. Insérer partiellement la troisième vis depuis le dessus et faire coulisser la charnière sur la vis tout en insérant la charnière dans le trou du panneau avant. Fixer de nouveau la porte sur le panneau avant de la sécheuse avec les trois vis restantes.



2. Vérifier qu'il n'y a pas de marques de doigts sur le verre. Nettoyer au besoin.

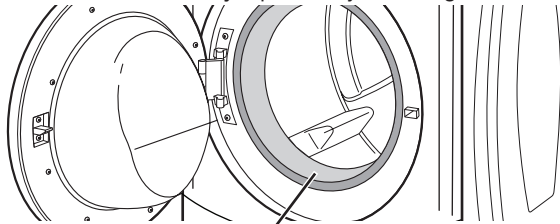
3. Fermer la porte et vérifier qu'elle s'enclenche solidement.

INSTRUCTIONS D'ENTRETIEN DE LA LAVEUSE/ SÉCHEUSE SUPERPOSÉES

Laveuse

Nettoyage du joint/soufflet de la porte

1. Ouvrir la porte de la laveuse et retirer tout vêtement ou article de la laveuse.
2. Inspecter la porte de verre interne. Si l'on note la présence de résidus, essuyer les résidus avec un chiffon humide.
3. Examiner le joint/soufflet coloré entre l'ouverture de la porte et le panier pour déceler d'éventuelles zones tachées. Tirer sur le joint/soufflet pour examiner toutes les zones sous le joint/soufflet et voir s'il n'y a pas d'objets étrangers.



Joint/soufflet

4. Si des zones tachées sont décelées, essuyer ces zones de la façon suivante :
 - a) Mélanger une solution diluée en utilisant 3/4 de tasse (177 mL) d'agent de blanchiment liquide au chlore et 1 gal. (3,8 L) d'eau tiède du robinet.
 - b) Essuyer la zone du joint/soufflet avec la solution diluée, en utilisant un chiffon humide.
 - c) Laisser agir pendant 5 minutes.
 - d) Essuyer la zone complètement avec un chiffon sec et laisser l'intérieur de la laveuse sécher à l'air en laissant la porte ouverte.

IMPORTANT :

- Porter des gants en caoutchouc en cas de nettoyage pendant une période prolongée.
- Consulter les instructions du fabricant de l'agent de blanchiment pour une utilisation correcte.

Consignes d'entretien :

Cette laveuse comporte un programme spécial qui utilise des volumes d'eau plus importants en combinaison avec l'agent de blanchiment liquide pour nettoyer à fond l'intérieur de la laveuse.

REMARQUES :

- Lire ces instructions complètement avant de débiter la procédure de nettoyage.
- Si nécessaire, le programme de nettoyage peut être interrompu en appuyant deux fois sur le bouton START (mise en marche). Cependant, ceci n'arrêtera pas immédiatement le programme. La laveuse poursuit avec plusieurs rinçages et vidanges afin d'évacuer toute trace d'agent de blanchiment de la laveuse.

Nettoyage de l'intérieur de la laveuse :

1. Ouvrir la porte de la laveuse et retirer tout vêtement ou article de la laveuse.
2. Utilisation de l'agent de blanchiment liquide au chlore : Ouvrir le tiroir distributeur et ajouter immédiatement 2/3 de tasse (160 mL) d'agent de blanchiment liquide au chlore dans le compartiment d'agent de blanchiment.

REMARQUE : Ne pas ajouter de détergent. L'utilisation de plus de 2/3 de tasse (160 mL) d'agent de blanchiment endommagera le produit avec le temps.

3. Fermer la porte de la laveuse et le tiroir distributeur.
4. Pour démarrer le programme de nettoyage complet de la laveuse, accéder d'abord au mode de service. Appuyer ensuite sur le bouton DELICATES, (articles délicats) pendant 2 secondes. Appuyer sur le bouton de rinçage supplémentaire jusqu'à ce que P-08 s'affiche, puis appuyer sur le bouton de mise en marche pour lancer le programme. Pour quitter le mode de service et activer le programme de nettoyage de la laveuse, appuyer sur le bouton DELICATES (articles délicats), puis tourner la clé.

REMARQUE : La porte se verrouille, le panier pivote d'un demi-tour, la porte se déverrouille, se verrouille à nouveau et le programme de nettoyage de la laveuse se poursuit ensuite. La laveuse ne se remplit pas mais le panier pivote tandis que la laveuse effectue un court programme de détection. Ceci prend environ 3 minutes.

5. Le programme détermine si des vêtements ou autres articles se trouvent dans la laveuse.
 - a) Si aucun article n'est détecté dans la laveuse, la machine passe à l'étape 7.
 - b) Si aucun article n'est détecté dans la laveuse, "F-34" s'affiche. La porte se déverrouille ensuite.
 - Accéder au mode de service et appuyer ensuite sans relâcher sur le bouton START (mise en marche) pour annuler le code d'erreur. Répéter ensuite les étapes 1, 3 et 4 pour remettre le programme en marche.
6. Une fois que le programme a commencé, laisser le programme s'achever.
7. Une fois le programme terminé, laisser la porte entrouverte pour une meilleure aération et pour que l'intérieur de la laveuse puisse sécher.

INSTRUCTIONS D'ENTRETIEN DE LA LAVEUSE/ SÉCHEUSE SUPERPOSÉES

Laveuse

Toujours suivre la procédure qui suit afin de préserver la fraîcheur de la laveuse :

- Utiliser uniquement un détergent HE (Haute efficacité).
- Laisser la porte entrouverte après chaque programme pour permettre une meilleure ventilation et pour que l'intérieur de la laveuse puisse sécher.
- Nettoyer la laveuse chaque mois à l'aide de la procédure de nettoyage de la laveuse, en utilisant 2/3 de tasse (160 ml) d'agent de blanchiment liquide au chlore.
- Si cette procédure ne permet pas de remédier efficacement aux problèmes de fraîcheur de la machine, examiner les conditions d'installation et d'utilisation pour déceler les autres causes possibles.

Nettoyage de l'extérieur

Utiliser une éponge ou un chiffon doux humide pour essuyer les renversements. Essuyer occasionnellement les surfaces externes de la laveuse pour maintenir son apparence d'appareil neuf. Utiliser un savon doux et de l'eau. Ne pas utiliser de produits abrasifs.

Nettoyage du tiroir distributeur

Le tiroir distributeur est amovible pour faciliter le nettoyage.

1. Débloquer le tiroir du distributeur en insérant un tournevis plat pour dégager le mécanisme de blocage. Retirer le tiroir distributeur.
2. Ôter les inserts (le siphon des compartiments de l'assouplissant de tissu et de l'agent de blanchiment).
3. Laver les pièces sous l'eau du robinet.

REMARQUE : Ne pas laver les composants au lave-vaisselle.

4. Réinstaller les pièces incluses et remettre le distributeur dans le tiroir.

Tuyaux d'arrivée d'eau

Remplacer les tuyaux d'arrivée d'eau après 5 ans d'utilisation pour réduire le risque de défaillance intempestive. Inspecter périodiquement les tuyaux; les remplacer en cas de renflement, de déformation, de coupure et d'usure ou de fuite.

Lors du remplacement des tuyaux d'arrivée d'eau, inscrire la date du remplacement.

Sécheuse

Consignes d'entretien :

- Nettoyer le filtre à charpie avant ou après chaque programme.
- Comment enlever la charpie accumulée :

À l'intérieur de la caisse de la sécheuse :

Il faut retirer la charpie accumulée dans le conduit d'évacuation tous les 2 ans ou plus souvent, selon l'utilisation de la sécheuse. Le nettoyage doit être effectué par une personne qualifiée.

De l'intérieur du conduit d'évacuation :

Retirer la charpie tous les 2 ans, ou plus souvent, selon l'utilisation de la sécheuse.

- Dégager l'espace autour de la sécheuse; aucune matière combustible, essence ou autres vapeurs ou liquides inflammables ne doit s'y trouver.
- Dégager l'emplacement de la sécheuse de façon à ce qu'il soit libre de tout élément susceptible d'obstruer le débit d'air de combustion et de ventilation.

Si la sécheuse ne fonctionne pas, contrôler ce qui suit :

- La prise de courant est correctement alimentée.
- Le disjoncteur ne s'est pas déclenché et aucun fusible n'est grillé.
- La porte est fermée. Écouter attentivement pour vérifier que le loquet de porte s'enclenche.
- Le bouton de sélection de programmes a été fermement enfoncé.
- Pour les sécheuses à gaz, vérifier que chaque robinet d'arrêt de gaz est ouvert.

SI VOUS AVEZ BESOIN D'ASSISTANCE

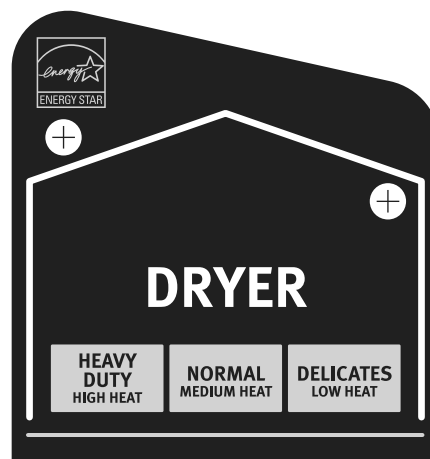
Contactez le revendeur autorisé d'appareils de buanderie à usage commercial Maytag®. Pour localiser votre revendeur autorisé d'appareils de buanderie à usage commercial Maytag® ou pour toute question via internet, consulter www.MaytagCommercialLaundry.com.

Lors de votre appel, vous aurez besoin du numéro de modèle et de série de la laveuse/sécheuse. Ces deux numéros figurent sur la plaque signalétique située dans l'encadrement de la porte de la sécheuse.

INSTRUCTIONS DE RÉGLAGE DU TABLEAU DE COMMANDE ÉLECTRONIQUE



Commandes de la laveuse



Commandes de la sècheuse

Informations générales d'utilisation de la laveuse/sècheuse

REMARQUE : Une fois la laveuse/sècheuse installée et branchée, l'affichage indique "0 MINUTES" sur les parties concernant la laveuse et la sècheuse. Une fois les portes de la laveuse et de la sècheuse ouvertes et fermées, l'affichage indique le prix pour chaque machine. Sur les laveuses/sècheuses réglées sur des programmes gratuits, les sections de l'affichage indiquent "SELECT CYCLE" (sélectionner programme) en clignotant.

1. Modèles PD : Insérer les pièces jusqu'à ce que "SELECT CYCLE" (sélectionner programme) clignote sur la partie de l'affichage concernant la laveuse ou la sècheuse à faire fonctionner.

Modèles PR : Une carte de débit est nécessaire à la place des pièces. Les systèmes de cartes de débit de 1e ou 2e génération peuvent être utilisés ; cependant, en cas d'utilisation du système à carte de débit de 2e génération, les commandes sont réglées automatiquement sur le mode Enhanced Debit (débit amélioré) (code J. Ed). Dans le mode débit amélioré, le solde de la carte s'affiche également lorsqu'elle est insérée dans le lecteur.

2. La porte doit être fermée sur la laveuse/sècheuse souhaitée avant de pouvoir sélectionner le programme.
3. Appuyer sur le bouton de réglage du tissu pour le programme de laveuse/sècheuse souhaité. Une fois le programme commencé, un compte à rebours s'affiche.
4. Si un programme est interrompu par l'ouverture de la porte ou une coupure d'alimentation, la mention "RESELECT CYCLE" (resélectionner le programme) clignote sur l'affichage. Pour remettre la laveuse/sècheuse en marche, fermer la porte et sélectionner le programme souhaité.

REMARQUE : En cas de réglage pour un fonctionnement gratuit, le programme d'une sècheuse en cours s'annule si la porte est ouverte.

DÉFILEMENT D'UN MESSAGE DE "OUT OF ORDER" (EN PANNE), SUIVI DU CODE DE DÉFAILLANCE OU DE DIAGNOSTIC, SUR L'AFFICHAGE – Cette situation indique que la laveuse ou la sècheuse ne fonctionne pas. L'affichage des codes de diagnostic dans la partie supérieure de l'affichage concerne la section sècheuse et ceux affichés dans la portion inférieure concernent la section laveuse. Les codes de diagnostic affichés dans les portions supérieure et inférieure de l'affichage concernent le système de commande de la laveuse et de la sècheuse.

"0 MINUTES" INDIQUÉ SUR L'AFFICHAGE – Cette mention indique que le programme est terminé et que la laveuse/sècheuse ne peut pas être remise en marche. Les pièces introduites ou le débit par carte engagé pendant cette phase sont stockées en avoir, mais ne sont pas utilisables tant que le fonctionnement normal n'est pas rétabli par l'ouverture et la fermeture de la porte. En cas de défaillance du contacteur d'une porte, qui provoque le maintien de l'affichage "0 MINUTES" après l'ouverture et la fermeture de la porte, le contacteur doit être remplacé avant le rétablissement d'un fonctionnement normal.

DÉMARRAGE À FROID (première utilisation) – La laveuse/sècheuse est programmée en usine de la manière suivante :

Laveuse	Durée de lavage de 11 minutes Prix du lavage 1,75 \$ (modèles PD) Prix du lavage 0,00 \$ (modèles PR) 3 rinçages (rinçage supplémentaire non activé)
Sècheuse	5 minutes par 0,25 \$ pour les modèles PD Durée de séchage 45 minutes pour les modèles PR Prix du séchage 1,50 \$ (programme fixe avec durée supplémentaire – Modèles PD). Prix du séchage 0,00 \$ (programme fixe – Modèles PR)

INSTRUCTIONS DE RÉGLAGE DU TABLEAU DE COMMANDE ÉLECTRONIQUE

Démarrage à Chaud (après coupure d'électricité)

Quelques secondes après le rétablissement de l'alimentation, si un programme était en cours au moment de la coupure, "RESELECT CYCLE" (resélectionner programme) clignote sur l'affichage, indiquant qu'il faut appuyer sur un bouton pour redémarrer la laveuse ou la sècheuse.

Verrouillage de la Porte de la Laveuse

Avant le début d'un programme, une séquence de verrouillage/déverrouillage/reverrouillage de la porte a lieu, puis le programme commence. La porte est verrouillée jusqu'à la fin d'un programme ou environ 2 minutes après une coupure d'électricité.

Tarifs

Une fois la porte ouverte, puis fermée après la fin de programme, l'affichage indique le prix du programme (à moins d'un réglage pour un fonctionnement gratuit, où l'affichage clignote en indiquant "SELECT CYCLE" (sélectionner programme). Après l'insertion de pièces ou un débit de la carte de débit, l'affichage change pour guider l'utilisateur dans le lancement d'un programme.

Il existe quatre types de tarif de la sècheuse :

Tarif de vente fixe

Un paramétrage de la sècheuse pour un fonctionnement en programme fixe peut accepter uniquement les durées supplémentaires accumulées par paliers égaux à la durée d'un programme de séchage complet. Un maximum de 99 minutes peut être acheté ; aucun crédit supplémentaire n'est accordé pour les pièces insérées lorsque 99 minutes est affiché.

Tarif par accumulation

Si le prix est défini sur une pièce 1, alors le tarif par accumulation est en vigueur. La durée du programme peut être augmentée avec une pièce à la fois (modèles PD) jusqu'à une durée maximale de 99 minutes.

Programme fixe avec tarif d'appoint

Une sècheuse réglée pour proposer une fonctionnalité "Top Off" (appoint) permet d'ajouter une durée à un programme de séchage existant par paliers égaux au nombre de minutes de durée de séchage par pièce de 0,25 \$, jusqu'à 99 minutes, quel que soit le coût nécessaire pour mettre en marche la sècheuse. Aucun crédit n'est accordé pour les pièces insérées ou les apports par carte de débit lorsque l'affichage indique 99 minutes.

Modèles PR : En mode débit amélioré, le prix d'appoint peut être réglé indépendamment (voir Valeur de la Pièce 2), et la durée de l'appoint est calculé en fonction de l'équation suivante :

$$\text{Durée de l'appoint} = \frac{\text{prix du programme complet}}{\text{prix de l'appoint}} \times \text{durée du programme complet}$$

La compensation par incréments en centièmes ne s'applique pas aux achats d'appoint.

Programmes Gratuits

Cette fonction est établie en réglant le prix du programme sur zéro. Dans ce cas, "SELECT CYCLE" (sélectionner programme) s'affiche à la place du prix du programme. Tout programme commencé comme programme gratuit prend fin automatiquement lors de l'ouverture de la porte.

Compatible Carte de Débit

Cette laveuse/sècheuse est compatible pour avec les lecteurs de carte de débit. Elle accepte divers systèmes de cartes de débit, mais est livré SANS lecteur de carte de débit. Consulter le fabricant du lecteur de carte de débit pour une installation correcte avec la laveuse/sècheuse. Dans les modèles convertis en un système à carte de débit de 1e génération, les impulsions de débit représentent l'équivalent d'une pièce (pièce 1).

Procédures de paramétrage des commandes

IMPORTANT : Lire toutes les instructions avant la mise en marche.

Modèles PD/PR : Introduire la clé de sélection de service et la tourner dans le sens antihoraire.

Modèles PR : Une fois le lecteur de carte de débit de 2e génération installé (conformément aux instructions du fabricant du lecteur), on peut changer le mode de paramétrage seulement en insérant une carte de paramétrage (fournie par le fabricant du lecteur) dans la fente d'insertion de carte. L'insertion et la rotation de la clé du contacteur de service accéderont seulement au mode de service.

La laveuse/sècheuse est maintenant au mode de paramétrage. Les boutons de réglage du type de tissu en bas et la partie inférieure de l'affichage servent à paramétrer les commandes numériques de la laveuse. Les trois boutons de réglage du type de tissu en haut et la partie supérieure de l'affichage servent à paramétrer les commandes de la sècheuse.

L'affichage peut contenir quatre chiffres et/ou lettres et un point décimal sur chacune de ses portions supérieure et inférieure. Il indique les codes de paramétrage et les valeurs correspondantes pour la programmation de la laveuse/sècheuse.

Utilisation des boutons pour la programmation des commandes

Laveuse:

1. La touche POWER WASH (lavage haute puissance) supérieure gauche est utilisée pour régler les valeurs associées aux codes de paramétrage. En appuyant sur la touche, la valeur change par paliers. Un réglage rapide est possible en maintenant la touche enfoncée.
2. La touche TEMPERATURE inférieure gauche est utilisée pour régler les valeurs associées aux codes de paramétrage. En appuyant sur la touche, la valeur change par paliers. Un réglage rapide est possible en maintenant la touche enfoncée.
3. La touche EXTRA RINSE (rinçage supplémentaire) inférieure centrale fait défiler les codes de paramétrage. Le code de paramétrage disponible suivant est atteint en appuyant sur cette touche. Pour passer aux codes de paramétrage suivants à un rythme d'un (1) par seconde, maintenir la touche enfoncée.
4. La touche DELICATES (articles délicats) supérieure droite sélectionne les options ou les annule.

Sècheuse :

1. La touche HEAVY DUTY (service intense) supérieure gauche est utilisée pour régler les valeurs associées aux codes de paramétrage. En appuyant sur la touche, la valeur change par paliers. Un réglage rapide est possible en maintenant la touche enfoncée.
2. DELICATES (articles délicats) supérieure droite sélectionne les options ou les annule.

INSTRUCTIONS DE PARAMÉTRAGE DES COMMANDES ÉLECTRONIQUES

Paramétrage en début d'exploitation

Les laveuses/sécheuses sont préréglées en usine et ne nécessitent aucune programmation. Cependant, pour modifier les paramètres, suivre le guide des "Codes de paramétrage".

Le code au début de chaque segment est le paramètre par défaut défini en usine pour les modèles PD et est identique pour les modèles PR, sauf indication contraire.

Le code de paramétrage est indiqué par un ou deux caractères à gauche. La valeur du code de paramétrage est indiquée par deux ou trois caractères à droite.

Codes de paramétrage	
Code	Explication
6 06	PRIX D'UN PROGRAMME DE SÉCHAGE NORMAL (SÉCHEUSE)
6 06	Représente le nombre de pièces de Pièce 1 nécessaires pour mettre en marche la sécheuse; réglable de 0 à 200 (voir le paramétrage de b.05 pour la valeur de la pièce 1). Avancer de 0 à 200 en appuyant sur la touche HEAVY DUTY (service intense). Valeur par défaut définie en usine sur 6 pièces de 0,25 \$ = 1,50 \$.
6 00	Modèles PR uniquement : Valeur par défaut définie en usine sur 6 00, ou 0 pièce de 0,25 \$.
	PRIX DU PROGRAMME (LAVEUSE)
6 07 NORMAL	NORMAL Prix d'un programme pour articles délicats — Représente le nombre de pièces de 1s nécessaire pour mettre la laveuse en marche. Augmenter le prix entre 0 et 200 en appuyant sur la touche POWERWASH (lavage haute puissance) et diminuer le prix en appuyant sur la touche TEMPERATURE. Valeur préréglée en usine pour 7 pièces = 1,75 \$.
6 00 NORMAL	Modèles PR uniquement : Valeur par défaut définie en usine sur 6 00, ou 0 pièce de 0,25 \$.
6 07 DELICATE	DELICATES Prix d'un programme pour articles délicats — Représente le nombre de pièces de 1s nécessaire pour mettre la laveuse en marche. Augmenter le prix entre 0 et 200 en appuyant sur la touche POWERWASH (lavage haute puissance) et diminuer le prix en appuyant sur la touche TEMPERATURE. Valeur préréglée en usine pour 7 pièces = 1,75 \$.
6 00 DELICATE	Modèles PR uniquement : Valeur par défaut définie en usine sur 6 00, ou 0 pièce de 0,25 \$.
6 07 POWERWASH	POWERWASH Prix d'un programme pour articles délicats — Représente le nombre de pièces de 1s nécessaire pour mettre la laveuse en marche. Augmenter le prix entre 0 et 200 en appuyant sur la touche POWERWASH (lavage haute puissance) et diminuer le prix en appuyant sur la touche TEMPERATURE. Valeur préréglée en usine pour 7 pièces = 1,75 \$.
6 00 POWERWASH	Modèles PR uniquement : Valeur par défaut définie en usine sur 6 00, ou 0 pièce de 0,25 \$.
→	Appuyer une fois sur la touche EXTRA RINSE (rinçage supplémentaire) pour passer au code suivant.

7 05	DURÉE DU SÉCHAGE NORMAL (SÉCHEUSE)
7 05	Modèles PD : Représente le nombre de minutes par pièce de 0,25 \$ (pièce 1). Le réglage par défaut en usine est de 5 minutes par pièce. Exemple : 6 pièces de 0,25 \$ x 5 minutes = 30 minutes. En appuyant sur la touche HEAVY DUTY (service intense), la valeur peut être réglée entre 1 et 99 minutes.
7 45	Modèles PR : Représente la durée du programme gratuit. Exemple : "7 45" = 45 minutes.
7 11	DURÉE DU LAVAGE (LAVEUSE)
7 11	Ce code correspond au nombre de minutes du programme de lavage. La laveuse est livrée avec le préréglage d'usine sur 11 minutes. Choisir entre 9 et 17 minutes en appuyant sur la touche POWERWASH (lavage haute puissance) et diminuer en appuyant sur la touche TEMPERATURE. → Appuyer une fois sur la touche EXTRA RINSE (rinçage supplémentaire) pour passer au code suivant.
8 00	TYPE DE TARIF DE LA SÉCHEUSE (SÉCHEUSE)
8 00	Programme fixe avec appoint. Pour une description détaillée, consulter la section Informations générales d'utilisation.
8 FC	Modèles PR uniquement : Valeur par défaut définie en usine du FC (fixed cycle [programme fixe]). Pour une description détaillée, consulter la section Informations générales d'utilisation. Pour choisir ce réglage, appuyer sur la touche DELICATES (articles délicats).
8 00	OPTION DE RINÇAGE SUPPLÉMENTAIRE/QUITTER LE MODE SERVICE (LAVEUSE) Remarque : Cela n'affecte que les programmes NORMAL et DELICATES (articles délicats). Le rinçage supplémentaire est toujours activé pour POWERWASH (lavage haute puissance).
8 00	Rinçage supplémentaire désactivé par sélection. Utiliser ce champ pour quitter du mode Service après un accès à l'aide des touches. Appuyer sans relâcher la touche TEMPERATURE (température) pour quitter le mode Service.
8 AR	Rinçage supplémentaire activé par sélection. Appuyer sur la touche DELICATES pour changer les réglages entre 00 et AR (additional rinse [rinçage supplémentaire]). Utiliser ce champ pour quitter du mode Service après un accès à l'aide des touches. Appuyer sans relâcher la touche TEMPERATURE (température) pour quitter le mode Service. → Appuyer une fois sur la touche EXTRA RINSE (rinçage supplémentaire) pour passer au code suivant.

INSTRUCTIONS DE PARAMÉTRAGE DES COMMANDES ÉLECTRONIQUES

9 00	OPTION DE COMPTAGE DES PROGRAMMES (LAVEUSE) Cette option est activée ou désactivée par sélection.
9 00	Désactivée par sélection
9 0C	Activée par sélection; ne peut pas être désélectionnée. Appuyer sur la touche DELICATES (articles délicats) trois fois de suite pour sélectionner "ON" (activée). Une fois l'option activée par sélection, elle est bloquée à cette valeur. → Appuyer une fois sur la touche EXTRA RINSE (rinçage supplémentaire) pour passer au code suivant.
1.00	OPTION DE COMPTAGE DE MONNAIE (LAVEUSE) Cette option est activée ou désactivée par sélection
1.00	Désactivée par sélection
1.0C	Activée par sélection. Appuyer sur le bouton DELICATES (articles délicats) trois fois de suite pour sélectionner ON (activée) et trois autres fois de suite pour sélectionner OFF (désactivée). Le compteur se remet à zéro en passant de l'option OFF à l'option ON.
1.C0	Activée par sélection; ne peut pas être désélectionnée. Pour sélectionner l'option "ON" (activée) sans possibilité de l'annuler, sélectionner d'abord "ON", puis, en moins de deux secondes, appuyer deux fois sur DELICATES (articles délicats) et une fois sur POWERWASH (lavage haute puissance) et quitter le mode de paramétrage. → Appuyer une fois sur la touche EXTRA RINSE (rinçage supplémentaire) pour passer au code suivant.
2.00	OPTION DE PRIX SPÉCIAL (LAVEUSE) Cette option est activée ou désactivée par sélection.
2.00	Désactivée par sélection.
2.SP	Activée par sélection. Appuyer une fois sur la touche DELICATES pour cette sélection.
Si l'option de prix spécial est sélectionnée, les codes "3" à "9" sont accessibles. REMARQUE : Une pile externe doit être ajoutée pour que l'horloge fonctionne pendant les périodes de panne de courant. → Appuyer une fois sur la touche EXTRA RINSE (rinçage supplémentaire) pour passer au code suivant.	

OPTIONS ACCESSIBLES LORSQUE L'OPTION DE PRIX SPÉCIAL EST SÉLECTIONNÉE (SÉCHEUSE) :	
PRIX DU PROGRAMME SPÉCIAL (SÉCHEUSE)	
3 06	Représente le nombre de pièces de 0,25 \$ (pièce 1) nécessaires pour mettre en marche la sécheuse; peut être réglé de 0 à 200. (Voir le paramétrage de b.05 pour la valeur de pièce 1). Avancer de 0 à 200 en appuyant sur la touche HEAVY DUTY (service intense). Valeur par défaut définie en usine sur 6 pièces de 0,25 \$ = 1,50 \$.
3.00	Modèles PR : Valeur par défaut définie en usine sur 0 pièce.
OPTIONS ACCESSIBLES LORSQUE L'OPTION DE PRIX SPÉCIAL EST SÉLECTIONNÉE (LAVEUSE) :	
3.07 NORMAL	NORMAL Prix spécial d'un programme pour articles délicats — Augmenter le prix entre 0 et 200 en appuyant sur la touche POWERWASH (lavage haute puissance) et diminuer le prix en appuyant sur la touche TEMPERATURE. Valeur pré-réglée en usine pour 7 pièces = 1,75 \$.
3 00 NORMAL	Modèles PR uniquement : Valeur par défaut définie en usine sur 6 00, ou 0 pièce de 0,25 \$.
3.07 DELICATES	DELICATES Prix spécial d'un programme pour articles délicats — Augmenter le prix entre 0 et 200 en appuyant sur la touche POWERWASH (lavage haute puissance) et diminuer le prix en appuyant sur la touche TEMPERATURE. Valeur pré-réglée en usine pour 7 pièces = 1,75 \$.
3 00 DELICATES	Modèles PR uniquement : Valeur par défaut définie en usine sur 6 00, ou 0 pièce de 0,25 \$.
3.07 POWERWASH	POWERWASH Prix d'un programme pour articles délicats — Augmenter le prix entre 0 et 200 en appuyant sur la touche POWERWASH (lavage haute puissance) et diminuer le prix en appuyant sur la touche TEMPERATURE. Valeur pré-réglée en usine pour 7 pièces = 1,75 \$.
3 00 POWERWASH	Modèles PR uniquement : Valeur par défaut définie en usine sur 6 00, ou 0 pièce de 0,25 \$. → Appuyer une fois sur la touche EXTRA RINSE (rinçage supplémentaire) pour passer au code suivant.

INSTRUCTIONS DE PARAMÉTRAGE DES COMMANDES ÉLECTRONIQUES

4.05	DURÉE DU SÉCHAGE SPÉCIAL (SÉCHEUSE)
4.05	Modèles PD : Représente le nombre de minutes par pièce de 0,25 \$ (pièce 1). Le réglage par défaut en usine est de 5 minutes par pièce. Exemple : 6 pièces de 0,25 \$ x 5 minutes = 30 minutes. En appuyant sur la touche HEAVY DUTY (service intense), la valeur peut être réglée entre 1 et 99 minutes.
4.45	Modèles PR : Représente la durée du programme fixe en minutes. Exemple : "4,45" à 45 minutes. → Appuyer une fois sur la touche EXTRA RINSE (rinçage supplémentaire) pour passer au code suivant.
5.00	MINUTES DE L'HORLOGE (LAVEUSE)
5.00	Paramétrage des minutes de l'horloge ; choisir une valeur entre 0 et 59 minutes en appuyant sur la touche POWERWASH (lavage haute puissance). → Appuyer une fois sur la touche EXTRA RINSE (rinçage supplémentaire) pour passer au code suivant.
6.00	HEURES DE L'HORLOGE (LAVEUSE) REMARQUE : Utilise le format sur 24 heures.
6.00	Paramétrage des heures de l'horloge; choisir une valeur entre 0 et 23 heures en appuyant sur la touche POWERWASH (lavage haute puissance). → Appuyer une fois sur la touche EXTRA RINSE (rinçage supplémentaire) pour passer au code suivant.
7.00	HEURE DE DÉBUT DU PRIX SPÉCIAL (LAVEUSE) REMARQUE : Utilise le format sur 24 heures.
7.00	Représente l'heure de début, entre 0 et 23 heures. Sélectionner START HOUR (heure de début) en appuyant sur la touche POWERWASH (lavage haute puissance). → Appuyer une fois sur la touche EXTRA RU pour passer au code suivant.
8.00	HEURE DE FIN DU PRIX SPÉCIAL (SÉCHEUSE) REMARQUE : Utilise le format sur 24 heures.
8.00	Représente l'heure de fin, entre 0 et 23 heures. Sélectionner STOP HOUR (heure de fin) en appuyant sur la touche HEAVY DUTY (service intense). → Appuyer une fois sur la touche EXTRA RINSE (rinçage supplémentaire) pour passer au code suivant.

9.10	JOUR DE PRIX SPÉCIAL (LAVEUSE)																								
9.10	Représente le jour de la semaine et indique si un prix spécial est sélectionné pour ce jour. Un nombre suivi de "0" indique l'absence de sélection pour ce jour particulier (9.1S). Les jours de la semaine (1-7) peuvent être sélectionnés en appuyant sur la touche POWERWASH (lavage haute puissance). Appuyer une fois sur la touche DELICATES pour sélectionner le prix spécial pour chaque jour choisi. En quittant le code de paramétrage "9", l'affichage doit indiquer le jour actuel de la semaine : <table border="1"> <thead> <tr> <th>AFFICHAGE</th> <th>JOUR DE LA SEMAINE</th> <th>CODE (sélectionné)</th> </tr> </thead> <tbody> <tr> <td>10</td> <td>Jour 1 = dimanche</td> <td>1S</td> </tr> <tr> <td>20</td> <td>Jour 2 = lundi</td> <td>2S</td> </tr> <tr> <td>30</td> <td>Jour 3 = mardi</td> <td>3S</td> </tr> <tr> <td>40</td> <td>Jour 4 = mercredi</td> <td>4S</td> </tr> <tr> <td>50</td> <td>Jour 5 = jeudi</td> <td>5S</td> </tr> <tr> <td>60</td> <td>Jour 6 = vendredi</td> <td>6S</td> </tr> <tr> <td>70</td> <td>Jour 7 = samedi</td> <td>7S</td> </tr> </tbody> </table> → Appuyer une fois sur la touche EXTRA RINSE (rinçage supplémentaire) pour passer au code suivant.	AFFICHAGE	JOUR DE LA SEMAINE	CODE (sélectionné)	10	Jour 1 = dimanche	1S	20	Jour 2 = lundi	2S	30	Jour 3 = mardi	3S	40	Jour 4 = mercredi	4S	50	Jour 5 = jeudi	5S	60	Jour 6 = vendredi	6S	70	Jour 7 = samedi	7S
AFFICHAGE	JOUR DE LA SEMAINE	CODE (sélectionné)																							
10	Jour 1 = dimanche	1S																							
20	Jour 2 = lundi	2S																							
30	Jour 3 = mardi	3S																							
40	Jour 4 = mercredi	4S																							
50	Jour 5 = jeudi	5S																							
60	Jour 6 = vendredi	6S																							
70	Jour 7 = samedi	7S																							
A.00	OPTION D'AFFICHAGE DE LA BOÎTE À MONNAIE (LAVEUSE) Cette option est activée ou désactivée par sélection.																								
A.00	Désactivée par sélection.																								
A.5C	Activée par sélection. Appuyer une fois sur la touche DELICATES pour cette sélection. Lorsque cette option est sélectionnée, le compteur de monnaie ou de programmes peut être affiché (si l'option de comptage est sélectionnée) lorsque la boîte à monnaie est retirée.																								
	→ Appuyer une fois sur la touche EXTRA RINSE (rinçage supplémentaire) pour passer au code suivant.																								
b.05	VALEUR DE LA PIÈCE 1 (LAVEUSE)																								
b.05	Représente la valeur de la pièce 1 en nombre de pièces de 0,05 \$: 05 = 0,25 \$. Augmenter le prix entre 1 et 200 pièces de 0,05 \$ en appuyant sur la touche POWERWASH (lavage haute puissance) et diminuer en appuyant sur la touche TEMPERATURE. Avec la chute de pièces activée, ceci représente le prix de vente total en pièces de 5 cents. Exemple : b.30 = 1,50 \$. → Appuyer une fois sur la touche EXTRA RINSE (rinçage supplémentaire) pour passer au code suivant.																								

INSTRUCTIONS DE PARAMÉTRAGE DES COMMANDES ÉLECTRONIQUES

C.20	VALEUR DE LA PIÈCE 2 (LAVEUSE)
C.20	MODÈLES PD : Représente la valeur de la pièce 2 en nombre de pièces de 0,05 \$: 20 = 1,00 \$. Augmenter le prix entre 1 et 200 pièces de 0,05 \$ en appuyant sur la touche POWERWASH (lavage haute puissance) et diminuer en appuyant sur la touche TEMPERATURE.
C.05	Modèles PR uniquement : Pour le modèle utilisant le mode débit amélioré, ce champ représente la valeur de la durée supplémentaire en pièces de 0,05 \$, pour la sècheuse, ou 0,25 \$. La valeur par défaut définie en usine est C.05; ce qui représente 5 x 0,05 \$ ou 0,25 \$. → Appuyer une fois sur la touche EXTRA RINSE (rinçage supplémentaire) pour passer au code suivant.
E.00	OPTION NOMBRE DE PIÈCES (LAVEUSE) Cette option est activée ou désactivée par sélection Avec cette option, l'affichage client indique le nombre de pièces (pièce 1) à insérer plutôt que le montant en dollars et cents.
E.00	Désactivée par sélection.
E.AC	Activée par sélection. Appuyer 3 fois de suite sur la touche DELICATES (articles délicats) pour cette sélection. Modèles PR uniquement : dans le mode Débit amélioré, cette option n'est pas accessible. → Appuyer une fois sur la touche EXTRA RINSE (rinçage supplémentaire) pour passer au code suivant.
Prix du passage de lavage (LAVEUSE)	
H.00 COOL	COOL Prix du passage pour température tiède — Définir le prix entre 0 et 200 en appuyant sur la touche POWERWASH (augmenter) et en appuyant sur la touche TEMPERATURE (diminuer). Valeur pré réglée en usine pour 0 pièces = 0,00 \$.
H.00 WARM	WARM Prix du passage pour température tiède — Définir le prix entre 0 et 200 en appuyant sur la touche POWERWASH (augmenter) et en appuyant sur la touche TEMPERATURE (diminuer). Valeur pré réglée en usine pour 0 pièces = 0,00 \$.
H.00 HOT	HOT Prix du passage pour température tiède — Définir le prix entre 0 et 200 en appuyant sur la touche POWERWASH (augmenter) et en appuyant sur la touche TEMPERATURE (diminuer). Valeur pré réglée en usine pour 0 pièces = 0,00 \$.
H.01 EXTRA RINSE	EXTRA RINSE Prix du passage pour température tiède — Définir le prix entre 0 et 200 en appuyant sur la touche POWERWASH (augmenter) et en appuyant sur la touche TEMPERATURE (diminuer). Valeur pré réglée en usine pour 1 pièce = 0,25 \$. → Appuyer une fois sur la touche EXTRA RINSE (rinçage supplémentaire) pour passer au code suivant.

J.Cd	OPTION DE PIÈCES/DÉBIT (LAVEUSE)
J.Cd	Modes pièces et carte de débit sélectionnés.
J.d	Mode carte de débit sélectionné, mode pièces désactivé. Appuyer trois fois de suite sur la touche DELICATES (articles délicats) pour cette sélection.
J.C	Mode pièces sélectionné, mode carte de débit désactivé. Appuyer trois fois de suite sur la touche DELICATES (articles délicats) pour cette sélection.
J.Ed	L'option débit amélioré est automatiquement sélectionnée lorsqu'un lecteur de cartes de 2e génération est installé dans la laveuse. L'option Ed ne peut pas être sélectionnée ou désactivée manuellement. → Appuyer une fois sur la touche EXTRA RINSE (rinçage supplémentaire) pour passer au code suivant.
L.00	OPTION DE SUPPRESSION DU PRIX (LAVEUSE) Cette option indique sur l'afficheur client "ADD" (introduire) ou "AVAILABLE" (disponible) au lieu du montant à ajouter (utilisé principalement avec les installations à carte de débit).
L.00	Désactivée par sélection
L.PS	Activée par sélection. Appuyer une fois sur la touche DELICATES pour cette sélection. → Appuyer une fois sur la touche EXTRA RINSE (rinçage supplémentaire) pour passer au code suivant.
n.CE	OPTION D'ANNULATION DE DÉPÔT (LAVEUSE) Lorsque cette option est sélectionnée, l'argent mémorisé en avoir pendant 30 minutes sans ajout supplémentaire ou activités de programme est effacé.
n.CE	Activée par sélection.
n.00	Désactivée par sélection. Appuyer une fois sur la touche DELICATES pour désactiver cette sélection. → Appuyer une fois sur la touche EXTRA RINSE (rinçage supplémentaire) pour passer au code suivant.
r.800	VITESSE D'ESSORAGE MAXIMALE (LAVEUSE)
r.800	Les vitesses d'essorage suivantes peuvent être sélectionnées : 600 t/min, 750 t/min, 800 t/min, 1000 (affiché 999) t/min. Pour passer d'une vitesse le suivant, appuyer sur la touche DELICATES. Valeur par défaut définie en usine sur 800 t/min. → Appuyer une fois sur la touche EXTRA RINSE (rinçage supplémentaire) pour passer au code suivant.

INSTRUCTIONS DE PARAMÉTRAGE DES COMMANDES ÉLECTRONIQUES

U.00	COMPENSATION PAR INCRÉMENTS EN CENTIÈMES (SÈCHEUSE)	A4.00	Les réglages de programme pour articles délicats permettent au propriétaire de sélectionner les options de programme par défaut telles que la température d'eau, le prélavage et le rinçage supplémentaire. Voir Tableau 1 pour les réglages spécifiques. Le programme pour articles délicats est réglé à 00 par l'usine. Définir en appuyant sur la touche POWERWASH (augmenter) ou en appuyant sur la touche TEMPERATURE (diminuer).
U.00	Représente la compensation du prix par incréments en centièmes utilisée dans les modèles PR de 2e génération (débit amélioré). Choisir entre 0 et 4 pièces de 0,01 \$ en appuyant sur la touche HEAVY DUTY (service intense).	→	Appuyer une fois sur la touche EXTRA RINSE (rinçage supplémentaire) pour passer au code suivant.
U.00	DÉCALAGE D'AUGMENTATION DE PIÈCES DE MONNAIE (AU CENTIÈME) (LAVEUSE)	A5.0F	Les réglages de programme pour lavage haute puissance permettent au propriétaire de sélectionner les options de programme par défaut telles que la température d'eau, le prélavage et le rinçage supplémentaire. Voir Tableau 1 pour les réglages spécifiques. Le programme de lavage haute puissance est réglé à 0F par l'usine. Définir en appuyant sur la touche POWERWASH (augmenter) ou en appuyant sur la touche TEMPERATURE (diminuer).
U.00	Représente la compensation du prix par incréments en centièmes utilisée dans les modèles PR de 2e génération (débit amélioré). Augmenter de 0 à 4 pièces de 0,01 \$ en appuyant sur la touche POWERWASH (lavage haute puissance) et diminuer en appuyant sur la touche TEMPERATURE.	→	Appuyer une fois sur la touche EXTRA RINSE (rinçage supplémentaire) pour passer au code suivant.
RÉGLAGES DE PROGRAMME (LAVEUSE)			
A1.03	DURÉE DU PRÉLAVAGE Ce code correspond au nombre de minutes du programme PREWASH (prélavage). Définir le prix entre 2 et 7 en appuyant sur la touche POWERWASH (augmenter) ou en appuyant sur la touche TEMPERATURE (diminuer).	→	Appuyer une fois sur la touche EXTRA RINSE (rinçage supplémentaire) pour passer au code suivant.
A2.03	DURÉE DE L'ESSORAGE FINAL Ce code correspond au nombre de minutes de l'essorage final à grande vitesse. Définir le prix entre 3 et 8 en appuyant sur la touche POWERWASH (augmenter) ou en appuyant sur la touche TEMPERATURE (diminuer).	→	Appuyer une fois sur la touche EXTRA RINSE (rinçage supplémentaire) pour passer au code suivant.
A3.02	Les réglages de programme normal permettent au propriétaire de sélectionner les options de programme par défaut telles que la température d'eau, le prélavage et le rinçage supplémentaire. Voir Tableau 1 pour les réglages spécifiques. Le programme normal est réglé à 02 par l'usine. Définir en appuyant sur la touche POWERWASH (augmenter) ou en appuyant sur la touche TEMPERATURE (diminuer).	→	Appuyer une fois sur la touche EXTRA RINSE (rinçage supplémentaire) pour passer au code suivant.

GARANTIE LIMITÉE MAYTAG COMMERCIAL LAUNDRY

MHN33PDCWW, MHN33PDCXW, MHN33PDCGW, MHN33PRCWW, MHN33PNCGW

POUR CONTACTER LE SERVICE APRÈS-VENTE :

Adressez-vous à votre distributeur Maytag Commercial Laundry agréé. Pour identifier le distributeur Maytag Commercial Laundry agréé le plus proche, consultez le site Internet www.MaytagCommercialLaundry.com.

Pour écrire au service après-vente, utilisez cette adresse :

Maytag Commercial Laundry Service Department
2000 N M 63
Benton Harbor, Michigan 49022-2632, États-Unis

GARANTIE LIMITÉE DE SEPT ANS

ÉLÉMENTS COUVERTS

GARANTIE LIMITÉE DE CINQ ANS (PIÈCES UNIQUEMENT – MAIN-D'ŒUVRE EXCLUSE)

Pendant les cinq premières années à compter de la date d'achat d'origine, sous réserve que le présent appareil commercial soit installé, entretenu et utilisé conformément aux instructions fixées au produit ou livrées avec lui, la marque Maytag du groupe Whirlpool Corporation (ci-après dénommée "Maytag") s'engage à prendre à sa charge le coût des pièces de rechange recommandées par le fabricant afin de corriger des défauts matériels ou des vices de fabrication présents dans l'appareil commercial au moment de son achat. La présente garantie limitée exclut le coût de la main-d'œuvre.

GARANTIE LIMITEE POUR LA SIXIEME ET LA SEPTIEME ANNEE (POUR CERTAINES PIÈCES UNIQUEMENT – MAIN-D'ŒUVRE NON INCLUSE)

Au cours de la sixième et de la septième année après la date d'achat d'origine, lorsque la machine est installée, utilisée et entretenue UNIQUEMENT dans un local de laverie collective et/ou proposant un service de laverie payant, conformément aux instructions jointes ou fournies avec le produit, Maytag prend en charge les pièces de rechange spécifiées en usine des composants suivants, en cas de défaut non cosmétique des matériaux ou de la main-d'œuvre empêchant le fonctionnement du produit et existant au moment de l'achat de la machine. Cette garantie est une garantie limitée de 7 ans concernant les pièces ci-dessous uniquement et n'incluant pas la main-d'œuvre. Roulements moteur, joint de cuve, entretoise de roulement, moyeu, traverse, tambour, cuve arrière, cuve avant, arbre de tambour

VOTRE SEUL ET UNIQUE RECOURS EN VERTU DE CETTE GARANTIE SE LIMITE AU REMPLACEMENT DE PIÈCES SELON LES CONDITIONS STIPULÉES DANS LES PRÉSENTES. Maytag vous recommande d'utiliser un prestataire de services "agréé" pour le diagnostic et la réparation de votre produit Commercial Laundry. Maytag décline toute responsabilité en vertu de la présente garantie concernant la fourniture de pièces de rechange supplémentaires suite à un diagnostic erroné ou une réparation confiée à une société de dépannage "non agréée". Excepté dans l'Union européenne, la présente garantie limitée est uniquement valable dans le cas où l'appareil commercial est utilisé dans le pays dans lequel il a été acheté. Cette garantie limitée entre en vigueur à la date d'achat du produit par l'acquéreur initial. La présentation d'une preuve d'achat indiquant la date de vente d'origine est nécessaire pour bénéficier du service après-vente au titre de cette garantie limitée.

ÉLÉMENTS NON COUVERTS

1. Tous les autres coûts, y compris les frais de main-d'œuvre, de transport, de port ou de dédouanement des pièces couvertes par la garantie.
2. Pièces de rechange recommandées par le fabricant si cet appareil commercial est utilisé à d'autres fins qu'un usage commercial standard, ou s'il est utilisé d'une manière non conforme aux instructions d'installation ou d'utilisation officielles.
3. Interventions destinées à corriger l'installation de votre appareil commercial, à vous expliquer le fonctionnement de votre appareil commercial, à remplacer ou à réparer les fusibles domestiques, ou à modifier la plomberie ou le câblage extérieur.
4. Interventions de dépannage visant à réparer ou à remplacer les ampoules électriques, filtres à air ou filtres à eau de l'appareil. Les pièces consommables ne sont pas couvertes par la garantie.
5. Dommages consécutifs à une mauvaise manutention du produit lors de sa livraison, un vol, un accident, une modification, une mauvaise utilisation, une négligence, un incendie, une inondation, des cas de force majeure, une installation incorrecte, une installation non conforme aux réglementations locales en matière d'électricité et de plomberie ou à l'utilisation de produits non agréés par Maytag.
6. Enlèvement et livraison. Cet appareil commercial est conçu pour être réparé sur site.
7. Réparations de pièces ou systèmes consécutives à la réalisation de modifications non autorisées sur l'appareil commercial.
8. Déplacement ou réinstallation de votre appareil commercial s'il est installé dans un endroit inaccessible ou s'il n'est pas installé conformément aux instructions d'installation officielles.
9. Dommages résultant d'une exposition à des produits chimiques.
10. Modifications nécessaires à apporter au bâtiment, à la pièce ou à l'endroit afin que l'appareil commercial fonctionne correctement.
11. Pièces de rechange recommandées par le fabricant sur des appareils commerciaux dont les numéros de série/modèle d'origine ont été enlevés, altérés, ou sont difficiles à déchiffrer.
12. Décoloration, rouille ou oxydation des surfaces en acier inoxydable.
13. Pièces de rechange recommandées par le fabricant suite à un diagnostic erroné ou une réparation confiée à une société de dépannage "non agréée".
14. Pièces de rechange pendant la sixième et la septième années à partir de la date originale d'achat si l'appareil commercial est installé, utilisé et entretenu dans un endroit autre qu'un environnement de vente et/ou de logement multiples.
15. Pièces de rechange pendant la sixième et la septième années à partir de la date originale d'achat si la pièce défectueuse n'empêche pas le fonctionnement du produit.

Le coût des réparations ou du remplacement de pièces dans de telles circonstances ne sera pas couvert par la garantie et incombera au client.

EXCLUSION DE GARANTIES IMPLICITES

LES GARANTIES IMPLICITES, Y COMPRIS CELLES RELATIVES À LA QUALITÉ MARCHANDE ET À L'APTITUDE À UN USAGE PARTICULIER, SONT LIMITÉES À SEPT ANS OU À LA DURÉE LA PLUS COURTE AUTORISÉE PAR LA LOI. Étant donné que certains pays n'autorisent pas les limitations de durée des garanties implicites de qualité marchande ou d'aptitude à un usage, cette restriction peut ne pas vous concerner. Cette garantie vous confère des droits légaux spécifiques, auxquels peuvent s'ajouter certains droits du pays de résidence.

AVIS DE NON-RESPONSABILITÉ EN CAS DE DÉCLARATIONS HORS DU CADRE DE LA GARANTIE

Maytag ne formule aucune autre déclaration relative à la qualité, la durabilité ou la nécessité de procéder à des entretiens ou réparations sur cet appareil électroménager que celles émises dans la présente garantie. Si vous souhaitez disposer d'une garantie plus détaillée ou plus complète que la garantie limitée fournie avec cet appareil électroménager, renseignez-vous auprès de votre détaillant concernant l'achat d'une garantie étendue. Les avantages dont vous bénéficiez en vertu de la présente garantie viennent s'ajouter aux autres droits et recours éventuellement à votre disposition dans le cadre d'une loi relative aux biens ou services auxquels la présente garantie se rapporte. Pour de plus amples informations concernant les conditions de garantie, veuillez contacter Maytag.

LIMITATION DES RECOURS ; EXCLUSION DES DOMMAGES INDIRECTS OU ACCESSOIRES

VOTRE SEUL ET UNIQUE RECOURS EN VERTU DE CETTE GARANTIE SE LIMITE À LA RÉPARATION DU PRODUIT SELON LES CONDITIONS STIPULÉES DANS LES PRÉSENTES. MAYTAG DÉCLINE TOUTE RESPONSABILITÉ EN CAS DE DOMMAGES INDIRECTS OU ACCESSOIRES. Étant donné que certains pays n'autorisent pas l'exclusion ou la limitation de responsabilité pour des dommages indirects ou accessoires, ces limitations et exclusions peuvent ne pas vous concerner. Cette garantie vous confère des droits légaux spécifiques, auxquels peuvent s'ajouter certains droits prévus par la loi du pays de résidence.

SEGURIDAD DE LA LAVADORA/SECADORA APILADAS

Su seguridad y la seguridad de los demás es muy importante.

Hemos incluido muchos mensajes importantes de seguridad en este manual y en su electrodoméstico. Lea y obedezca siempre todos los mensajes de seguridad.



Este es el símbolo de alerta de seguridad.

Este símbolo le llama la atención sobre peligros potenciales que pueden ocasionar la muerte o una lesión a usted y a los demás.

Todos los mensajes de seguridad irán a continuación del símbolo de advertencia de seguridad y de la palabra "PELIGRO" o "ADVERTENCIA". Estas palabras significan:

 **PELIGRO**

Si no sigue las instrucciones de inmediato, usted puede morir o sufrir una lesión grave.

 **ADVERTENCIA**

Si no sigue las instrucciones, usted puede morir o sufrir una lesión grave.

Todos los mensajes de seguridad le dirán el peligro potencial, le dirán cómo reducir las posibilidades de sufrir una lesión y lo que puede suceder si no se siguen las instrucciones.



ADVERTENCIA - "Riesgo de incendio"

- La instalación de la secadora de ropa debe estar a cargo de un instalador competente.
- Instale la secadora de ropa según las instrucciones del fabricante y los códigos locales.
- No instale una secadora de ropa con materiales de ventilación de plástico flexible o un conducto de metal flexible (de hoja de metal). Si se usa un conducto de metal flexible, éste deberá ser de un tipo específico, que esté identificado por el fabricante de electrodomésticos como apto para ser usado con secadoras de ropa. Es sabido que los materiales de ventilación flexible se derrumban, se aplastan con facilidad y atrapan pelusa. Estas condiciones obstruirán el flujo de aire de la secadora de ropa y aumentarán el riesgo de incendio.
- Para reducir el riesgo de lesiones severas o la muerte, siga todas las instrucciones de instalación.
- Guarde estas instrucciones.

- Se recomienda que el propietario coloque las instrucciones para el uso del cliente en un lugar a la vista, en caso de que el cliente sienta olor a gas. Esta información deberá obtenerse con su proveedor de gas.
- Coloque a la vista la siguiente advertencia.

PARA SU SEGURIDAD

No almacene ni use gasolina u otros vapores y líquidos inflamables cerca de éste o cualquier otro electrodoméstico.

SEGURIDAD DE LA LAVADORA/SECADORA APILADAS

ADVERTENCIA:

PELIGRO DE INCENDIO O EXPLOSIÓN

Si no se siguen las advertencias de seguridad con exactitud, se podrían producir lesiones graves, muertes o daños a la propiedad.

- No almacene o use gasolina u otros líquidos y vapores inflamables cerca de éste u otro aparato electrodoméstico.
- **PASOS QUE USTED DEBE SEGUIR SI HUELE A GAS:**
 - No trate de encender ningún aparato electrodoméstico.
 - No toque ningún interruptor eléctrico; no use ningún teléfono en su edificio.
 - Desaloje a todos los ocupantes del cuarto, edificio o área.
 - Llame inmediatamente a su proveedor de gas desde el teléfono de un vecino. Siga las instrucciones de su proveedor de gas.
 - Si usted no puede comunicarse con su proveedor de gas, llame al departamento de bomberos.
- La instalación y el servicio deben ser efectuados por un instalador calificado, una agencia de servicio o por el proveedor de gas.

ADVERTENCIA: Las pérdidas de gas no siempre se pueden detectar por el olfato.

Los proveedores de gas recomiendan que usted use un detector de gas aprobado por UL (Laboratorio de normalización) o CSA (Asociación canadiense de seguridad).

Para obtener más información, póngase en contacto con su proveedor de gas.

Si se detecta una fuga de gas, siga las instrucciones de "Pasos que usted debe seguir si huele a gas".

En el estado de Massachusetts se aplican las siguientes instrucciones de instalación:

- Las instalaciones y reparaciones se deben efectuar por un contratista, plomero o gasista calificado o licenciado por el estado de Massachusetts.
- Reemplace con dispositivos de cierre aceptables: las llaves de gas y las válvulas de bola instaladas para el uso deben estar en la lista.
- Si se usa un conector de gas flexible no debe exceder de 4 pies (121,9 cm).

IMPORTANTE: La instalación de gas debe hacerse de acuerdo con los códigos locales, o si no los hay, con el Código Nacional de Gas Combustible (National Fuel Gas Code), ANSI Z223.1/NFPA 54.

La secadora debe estar conectada a tierra de acuerdo con los códigos locales, o si no los hay, con el Código Nacional de Electricidad (National Electrical Code), ANSI/NFPA 70.

SEGURIDAD DE LA LAVADORA/SECADORA APILADAS

INSTRUCCIONES IMPORTANTES DE SEGURIDAD

ADVERTENCIA: A fin de reducir el riesgo de incendio, descarga eléctrica o de daño a las personas que usen la lavadora/secadora, deben seguirse las precauciones básicas, incluidas las siguientes:

- Lea todas las instrucciones antes de usar la lavadora/secadora.
- No coloque los objetos expuestos a aceite para cocinar en su secadora. Los objetos expuestos a aceites para cocinar pueden contribuir a una reacción química que podría causar que la ropa se inflame.
- No lave o seque artículos que hayan sido previamente limpiados, lavados, remojados o humedecidos con gasolina, solventes de limpieza en seco, u otras sustancias inflamables o explosivas ya que éstas emanan vapores que podrían encenderse o causar una explosión.
- No agregue gasolina, solventes para lavar en seco, u otras sustancias inflamables o explosivas al agua de lavado. Estas sustancias emanan vapores que podrían encenderse o causar una explosión.
- No permita que los niños jueguen encima o dentro de la lavadora/secadora. Es necesario una supervisión cuidadosa de los niños cada vez que se use la lavadora/secadora cerca de ellos.
- Antes de poner la lavadora/secadora fuera de servicio o desecharla, quite las puertas a los compartimientos de la lavadora/secadora.
- No introduzca las manos en la lavadora/secadora cuando la tina, el agitador, o el tambor están movimiento.
- No instale o almacene esta lavadora/secadora donde esté expuesta al agua y/o a la intemperie.
- No trate de jugar con los controles.
- Limpie el filtro de pelusa antes o después de cada carga de ropa.
- En ciertas condiciones, puede generarse gas hidrógeno en un sistema de agua caliente que no se haya usado por dos semanas o un período mayor. **EL GAS HIDRÓGENO ES EXPLOSIVO.** Si no se ha usado el agua caliente durante dicho período, antes de usar la lavadora, abra todos los grifos de agua caliente y deje que corra el agua por varios minutos. Esto liberará todo el gas hidrógeno que se haya acumulado. Debido a la inflamabilidad de dicho gas, no fume ni use una llama abierta durante este lapso.
- No repare o reemplace ninguna pieza de la lavadora/secadora ni trate de repararla a menos que esto se recomiende específicamente en el Manual de Uso y Cuidado o en instrucciones de reparación publicadas para el usuario que usted comprenda y sólo si cuenta con la experiencia necesaria para llevar a cabo dicha reparación.
- No utilice suavizante de telas o productos para eliminar la estática de prendas a menos que lo recomiende el fabricante del suavizante de telas o del producto en uso.
- No utilice calor para secar prendas que contengan hule espuma o materiales con textura de hule similar.
- Mantenga el área alrededor de la abertura de ventilación y las áreas adyacentes a esta abertura sin pelusa, polvo o suciedad.
- La parte interior de la máquina y el ducto de escape se deben limpiar periódicamente. Esta limpieza la debe llevar a cabo un reparador calificado.
- Consulte la sección "Requisitos eléctricos" del folleto de Instrucciones de instalación para ver las instrucciones de conexión a tierra.

GUARDE ESTAS INSTRUCCIONES

HERRAMIENTAS Y PIEZAS

Herramientas necesarias:



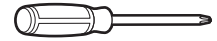
llave para tubos de 8" (203 mm) o 10" (254 mm)



llave ajustable de 8" (203 mm) o 10" (254 mm) que se abra a 1" (25 mm)



destornillador de hoja plana



destornillador Phillips



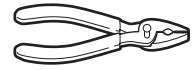
destornillador o broca de seguridad Torx®† T-20



llave de cubo de cabeza hexagonal de 1" (25 mm)



llave de tubo de 5/16"



pinzas (que se abran a 1 9/16" [39 mm])



nivel



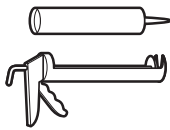
cuchillo para uso general



llave de tuercas de 1/4" (6 mm)



pinzas de traba



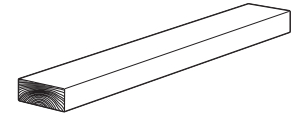
pistola y masilla para calafateo (para instalar el nuevo ducto de escape)



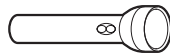
abrazaderas para ducto



compuesto para unión de tuberías que sea adecuado para el tipo de gas



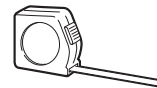
bloque de madera de 27" (686 mm)



linterna (opcional)



llaves de boca de 1/2" (13 mm) y 9/16" (14 mm)



regla o cinta para medir

Parts Supplied:



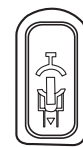
mangueras de entrada de agua (2)



arandelas de la manguera de entrada (4)



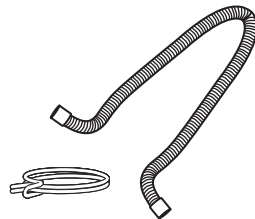
molde de la manguera en forma de "U"



tapón de orificio para perno de transporte



fleje de atadura rebordeado



manguera de desagüe y abrazadera

Piezas y accesorios adicionales

Piezas adicionales

Su instalación puede requerir piezas adicionales. Si está interesado en adquirir una de las piezas aquí enlistadas, llame al número gratuito que se encuentra en la sección "Si necesita ayuda".

Si tiene:	Necesitará adquirir:
Una alcantarilla suspendida	Tina de desagüe estándar de 20 gal. (76 L) 39" (990 mm) de altura o lavadero utilitario, bomba de sumidero y conectores (disponible en tiendas locales de artículos de plomería)
Tubo vertical de 1" (25 mm)	Adaptador de tubo vertical de 2" (51 mm) de diámetro a 1" (25 mm) de diámetro, pieza número 3363920 Juego de conectores, pieza número 285835
Una manguera de desagüe muy corta	Manguera de desagüe de Manguera de desagüe de Juego de conectores, pieza número 285835
Desagüe obstruido por pelusa	Protector del desagüe, pieza número 367031 Juego de conectores, pieza número 285835
Sistema de desagüe por el piso	Desviación de sifón, pieza número 367031 pieza número 367031 Juego de conectores, pieza número 285835
Grifos del agua fuera del alcance de las de agua mangueras de llenado	2 mangueras de llenado más largas: Manguera con doblez de 90° de 6 pies (1,8 m), pieza número 76314 10 pies (3,0 m), pieza número 350008

Accesorios

Realce su lavadora/secadora con estos accesorios de calidad superior.

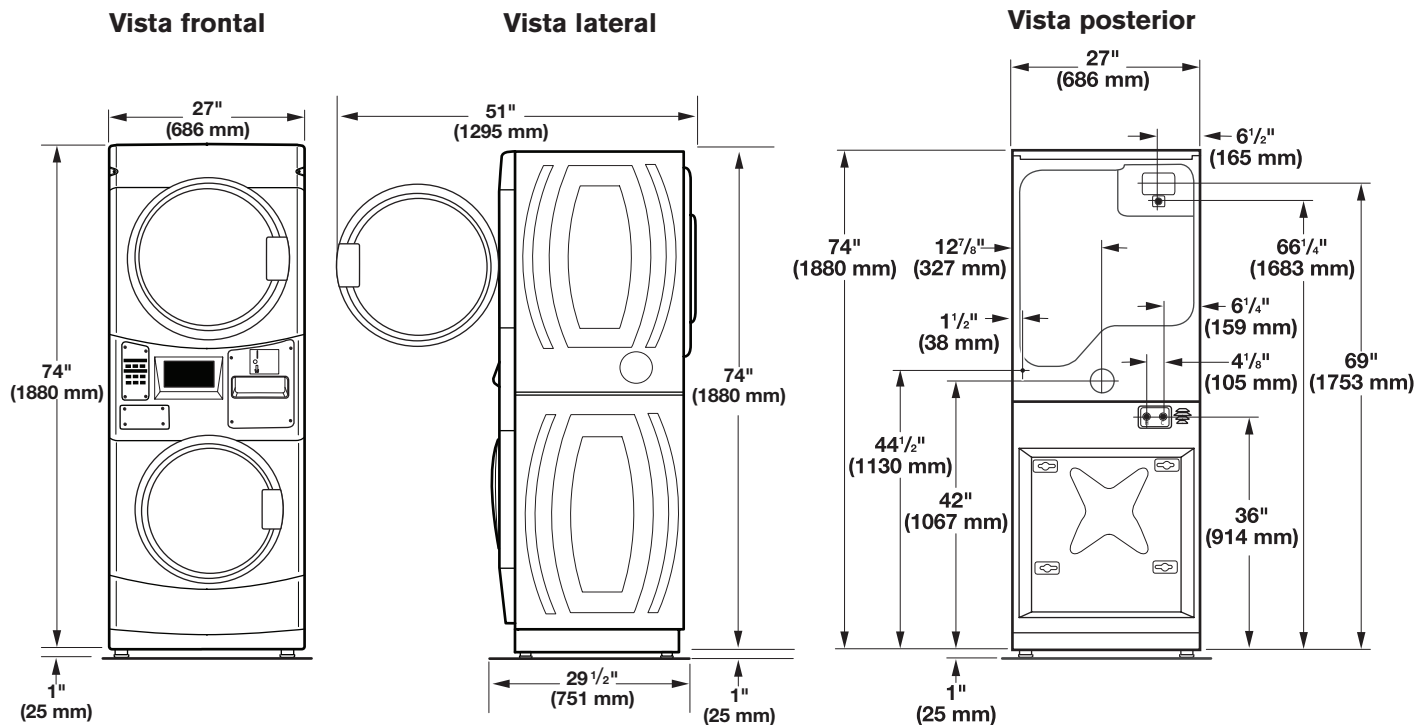
Para ver más artículos de alta calidad o para hacer un pedido, llame al **1-800-901-2042**, o visítenos en **www.maytag.com/accessories**.

En Canadá, llame al: **1-800-807-6777** o visítenos en **www.whirlpoolparts.ca**.

Número de pieza	Accesorio
8212526	Bandeja de goteo para lavadora, encaja debajo de todo
31682	Limpiador multiuso para electrodomésticos
1903WH	Carro de almacenamiento para artículos de lavandería
279818	Juego de ventilación de 3 direcciones de la secadora
285834	Juego de desviación de sifón

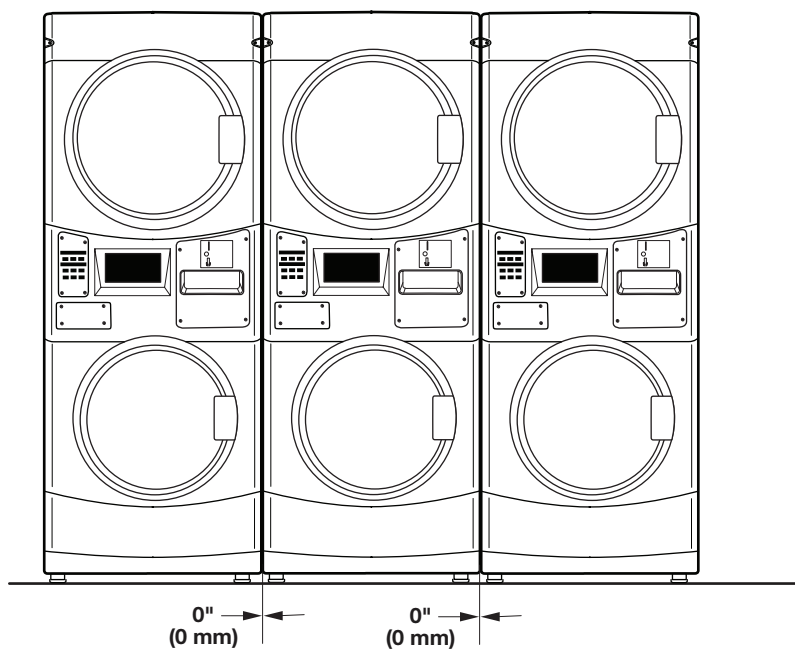
DIMENSIONES Y ESPACIOS LIBRES

Dimensiones

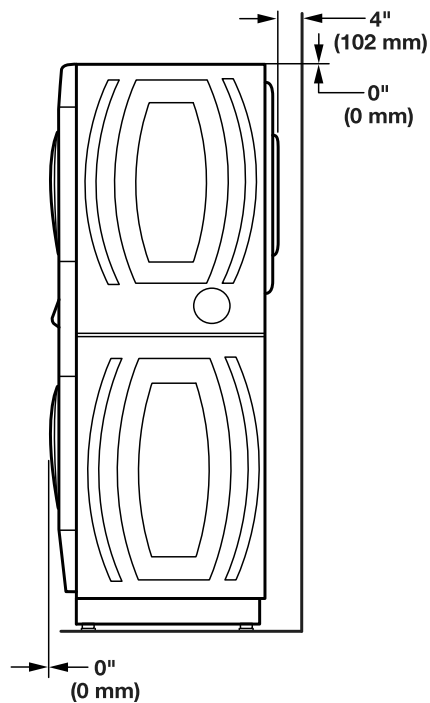


Espacios libres

Espacios libres laterales



Espacios libres en la parte posterior y superior



REQUISITOS DE INSTALACIÓN DE LA LAVADORA/ SECADORA A GAS APILADAS

Ubicación de la lavadora/secadora a gas apiladas

⚠ ADVERTENCIA



Peligro de Explosión

Mantenga los materiales y vapores inflamables, tales como la gasolina, alejados de la secadora.

No instale en un garage.

No seguir estas instrucciones puede ocasionar la muerte, explosión o incendio.

La selección de una ubicación apropiada para su lavadora/secadora mejora el rendimiento y reduce al mínimo el ruido y la posible "caminata" de la lavadora.

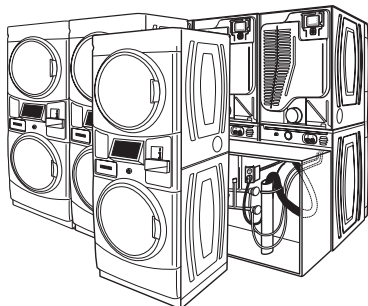
Su lavadora/secadora se puede instalar en un sótano, cuarto para lavar o un lugar empotrado. Esta lavadora/secadora no ha sido diseñada para instalarse en una casa rodante ni en un vehículo recreativo. Vea "Sistema de desagüe".

Deberá tenerse en cuenta también los requisitos para la ubicación de otro electrodoméstico que le acompañe.

IMPORTANTE: No instale ni almacene esta lavadora/secadora donde estará expuesta a la intemperie. No almacene ni opere la lavadora/secadora en temperaturas de 32 °F (0 °C) o inferiores. Puede quedar un poco de agua en la lavadora y ésta puede ocasionar daños a bajas temperaturas. La instalación correcta es su responsabilidad.

Usted necesitará:

- Un calentador de agua fijado para suministrar el agua a la lavadora a una temperatura de 120 °F (49 °C).
- Un contacto eléctrico con conexión a tierra ubicado a una distancia de no más de 6 pies (1,8 m) del lugar donde el cable eléctrico está fijado a la parte posterior de la lavadora. Vea "Requisitos eléctricos".
- Grifos de agua caliente y de agua fría ubicados a una distancia de 4 pies (1,2 m) de las válvulas de llenado del agua caliente y agua fría y una presión de agua de 20–100 lb/pulg² (137,9–689,6 kPa).
- Un piso nivelado con un declive máximo de 1" (25 mm) debajo de la lavadora/secadora completa. No se recomienda instalar la lavadora/secadora sobre superficies blandas del piso, tales como alfombras o superficies con reverso de espuma.
- Un piso resistente y firme que soporte la lavadora/secadora con un peso total (del agua y de la carga) de 450 libras (204 kg).
- Un desagüe de piso debajo del tabique. Los tabiques divisorios prefabricados con contactos eléctricos, las líneas de entrada de agua y las instalaciones con desagües deben ser usados únicamente donde los códigos locales lo permitan.



Espacios libres de instalación para la lavadora/secadora a gas apiladas:

- La ubicación debe ser lo suficientemente grande para permitir que las puertas de la lavadora y la secadora se abran completamente.
- Debe considerarse espacio adicional para facilitar la instalación y el servicio técnico. Las puertas se abren a más de 180°. La puerta de la lavadora no es reversible.
- Se podrían necesitar espacios libres adicionales para las molduras de la pared, de la puerta y del piso.
- Se recomienda un espacio adicional de 1" (25 mm) en todos los lados de la lavadora/secadora para reducir la transferencia de ruido.
- También se debe considerar espacio adicional para otro electrodoméstico que le acompañe.

Cuando instale un secadora a gas:

IMPORTANTE: Observe todos los códigos y ordenanzas aplicables.

- Verifique los requisitos de los códigos: Algunos códigos limitan, o no permiten, la instalación de la secadora en garajes, clósets o en dormitorios. Póngase en contacto con el inspector de construcciones de su localidad.
- Asegúrese de que los bordes inferiores del armario, además de los lados de la parte posterior e inferior de la lavadora, estén libres de obstrucciones, para permitir el espacio adecuado de aberturas para la combustión de aire. Vea "Instrucciones para la instalación empotrada o en clóset" a continuación para los requisitos mínimos de espacio.

Instrucciones para la instalación empotrada

secadora podrá instalarse en un área empotrada. Para las instalaciones en áreas empotradas, se pueden encontrar los espacios mínimos en la etiqueta de advertencia, en la parte posterior de la secadora o en la sección "Dimensiones y espacios libres".

El espacio de instalación es en centímetros (pulgadas) y es el mínimo permitido. Debe considerarse espacio adicional para facilitar la instalación, el servicio técnico y el cumplimiento de los códigos y ordenanzas locales.

NOTA: La secadora deberá ventilarse al exterior.

REQUISITOS DE INSTALACIÓN DE LA LAVADORA/ SECADORA A GAS APILADAS

Requisitos eléctricos de la lavadora/secadora a gas apiladas

⚠ ADVERTENCIA



Peligro de Choque Eléctrico

Conecte a un contacto de pared de conexión a tierra de 3 terminales.

No quite la terminal de conexión a tierra.

No use un adaptador.

No use un cable eléctrico de extensión.

No seguir estas instrucciones puede ocasionar la muerte, incendio o choque eléctrico.

IMPORTANTE: La lavadora/secadora debe conectarse a tierra de acuerdo a los códigos y las ordenanzas locales o, en la ausencia de códigos locales, de acuerdo al National Electrical Code (Código Nacional Eléctrico) ANSI/NFPA 70, última edición, o el Canadian Electrical Code (Código Canadiense de Electricidad) CSA C22.1. Si los códigos lo permiten y se usa un cable con conexión a tierra separado, se recomienda que un instalador eléctrico calificado determine que la trayectoria de conexión a tierra sea adecuada.

Usted puede obtener una copia de las normas de los códigos arriba indicadas en:

National Fire Protection Association
One Batterymarch Park, Quincy, MA 02269
CSA International
8501 East Pleasant Valley Road
Cleveland, Ohio 44131-5575

- No conecte a tierra a un tubo de gas.
- No coloque un fusible en el circuito neutro o de puesta a tierra.
- Se necesita un circuito eléctrico de 120 voltios, 60 hertzios, CA solamente, de 15 ó 20 amperios y protegido con fusibles. También se recomienda usar un fusible retardador o un cortacircuitos. Asimismo se recomienda el uso de un circuito independiente que preste servicio únicamente a esta lavadora/secadora.
- Esta lavadora/secadora viene equipada con un cable eléctrico dotado de un enchufe de 3 terminales con conexión a tierra.
- Para reducir al mínimo los posibles choques eléctricos, el cable debe ser enchufado en un contacto apropiado de pared de 3 terminales, conectado a tierra de acuerdo con los códigos y normas locales. Si no hay disponible un contacto equivalente, es responsabilidad y obligación personal del cliente de tener un contacto apropiado con conexión a tierra instalado por un electricista calificado.
- Si los códigos lo permiten y se emplea un hilo de conexión a tierra separado, se recomienda que un electricista competente determine si la trayectoria de conexión a tierra es adecuada.
- Si no está seguro de que la conexión a tierra de la lavadora/secadora sea la adecuada, verifíquela con un electricista competente.

Conexión a tierra de la lavadora/secadora a gas apiladas

INSTRUCCIONES PARA LA CONEXIÓN A TIERRA

Para una lavadora conectada a tierra con cable eléctrico:

Esta lavadora debe conectarse a tierra. En caso de funcionamiento defectuoso o avería, la conexión a tierra reducirá el riesgo de choque eléctrico al proporcionar una vía de menor resistencia para la corriente eléctrica. Esta lavadora viene equipada con un cable eléctrico que tiene un conductor de conexión a tierra del equipo y un enchufe con conexión a tierra. El enchufe debe conectarse en un contacto de pared apropiado que haya sido debidamente instalado y conectado a tierra de conformidad con todos los códigos y ordenanzas locales.

ADVERTENCIA: La conexión incorrecta de la terminal de conexión a tierra del equipo puede ocasionar un riesgo de choque eléctrico. Consulte con un electricista o técnico en reparaciones calificado si tiene duda alguna en cuanto a la conexión a tierra correcta del electrodoméstico.

No modifique el enchufe provisto con el electrodoméstico. Si éste no encaja en el contacto de pared, pida a un electricista calificado que le instale un contacto de pared apropiado.

Para una lavadora con contacto eléctrico permanente:

Esta lavadora debe estar conectada a un sistema de cableado de metal permanente, conectado a tierra, o se debe tender un conducto para la conexión a tierra del equipo con los conductores de circuito y conectado a la terminal de tierra del equipo o al conductor de suministro del electrodoméstico.

REQUISITOS DE INSTALACIÓN DE LA LAVADORA/ SECADORA A GAS APILADAS

Conexión a tierra de la lavadora/secadora a gas apiladas (cont.)

INSTRUCCIONES PARA LA CONEXIÓN A TIERRA

- Para la conexión de una secadora mediante cable eléctrico conectado a tierra:
Esta secadora debe estar conectada a tierra. En el caso de funcionamiento defectuoso o avería, la conexión a tierra reducirá el riesgo de choque eléctrico al proporcionar una vía de menor resistencia para la corriente eléctrica. Esta secadora usa un cable que cuenta con un conductor para la conexión a tierra del equipo y un enchufe de conexión a tierra. El enchufe debe conectarse en un contacto apropiado, que esté debidamente instalado y conectado a tierra de acuerdo con todos los códigos y ordenanzas locales.
- Para la conexión permanente de una secadora:
Esta secadora debe estar conectada a un sistema de cableado de metal permanente, conectado a tierra, o se debe tender un conducto para la conexión a tierra del equipo con los conductores de circuito y conectado al terminal de tierra del equipo o al conductor de suministro de la secadora.

ADVERTENCIA: La conexión indebida del conductor para la conexión a tierra del equipo puede ocasionar un riesgo de choque eléctrico. Verifique con un electricista, representante o personal de servicio técnico calificado para asegurarse de que la conexión a tierra de la secadora sea apropiada. No modifique el enchufe que viene con el cable eléctrico. Si no encaja en el contacto, contrate un electricista calificado para que instale un contacto adecuado.

GUARDE ESTAS INSTRUCCIONES

Suministro de gas para la lavadora/secadora a gas apiladas

⚠ ADVERTENCIA



Peligro de Explosión

Use una línea de suministro de gas nueva con aprobación CSA Internaciónál.

Instale una válvula de cierre.

Apriete firmemente todas las conexiones de gas.

Si se conecta a un suministro de gas propano, la presión no debe exceder una columna de agua de 33 cm (13 pulg) y debe ser verificada por una persona calificada.

Ejemplos de una persona calificada incluyen:
personal de servicio del sistema de calefacción con licencia,
personal autorizado de la compañía de gas, y
personal autorizado para dar servicio.

No seguir estas instrucciones puede ocasionar la muerte, explosión o incendio.

IMPORTANTE: Observe todos los códigos y ordenanzas aplicables.

Esta instalación debe hacerse de acuerdo con todos los códigos y ordenanzas locales. Si no hay códigos locales, la instalación deberá hacerse de acuerdo al Código nacional estadounidense (American National Standard), el Código Nacional de Gas Combustible (National Fuel Gas Code), ANSI Z223.1/NFPA 54 o CAN/CSA B149.

Usted puede obtener una copia de las normas de los códigos arriba indicadas en:

National Fire Protection Association
One Batterymarch Park, Quincy, MA 02269
CSA International
8501 East Pleasant Valley Road
Cleveland, Ohio 44131-5575

El diseño de esta lavadora/secadora ha sido certificado por CSA International para uso en altitudes que alcanzan los 10.000 pies (3.048 m) sobre el nivel del mar, en la categoría de B.T.U. indicada en la placa del número de modelo/serie. No se requieren ajustes de entrada del quemador cuando se usa la lavadora/secadora hasta esta altitud.

Si se instala a un nivel superior a los 10.000 pies (3.048 m) de altitud, se requiere una reducción de categoría de B.T.U. del cuatro por ciento (4 %) del quemador, que se muestra en la placa del número de modelo/serie, por cada incremento de 1.000 pies (305 m) de altitud. Para obtener asistencia para convertir el aparato a otros tipos de gas y/o instalar el aparato a una altitud superior a 10.000 pies (3.048 m), póngase en contacto con su compañía de servicio más cercana.

REQUISITOS DE INSTALACIÓN DE LA LAVADORA/ SECADORA ELÉCTRICAS APILADAS

Ubicación de la lavadora/secadora eléctrica apiladas

⚠ ADVERTENCIA



Peligro de Explosión

Mantenga los materiales y vapores inflamables, tales como la gasolina, alejados de la secadora.

No instale en un garage.

No seguir estas instrucciones puede ocasionar la muerte, explosión o incendio.

La selección de una ubicación apropiada para su lavadora/secadora mejora el rendimiento y reduce al mínimo el ruido y la posible "caminata" de la lavadora.

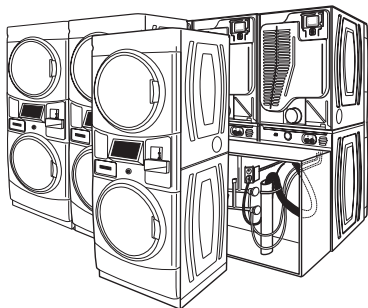
Su lavadora/secadora se puede instalar en un sótano, cuarto para lavar o un lugar empotrado. Esta lavadora/secadora no ha sido diseñada para instalarse en una casa rodante ni en un vehículo recreativo. Vea "Sistema de desagüe".

Deberá tenerse en cuenta también los requisitos para la ubicación de otro electrodoméstico que le acompañe.

IMPORTANTE: No instale ni almacene esta lavadora/secadora donde estará expuesta a la intemperie. No almacene ni opere la lavadora/secadora en temperaturas de 32 °F (0 °C) o inferiores. El agua que quede en la lavadora puede ocasionar daños a bajas temperaturas. La instalación correcta es su responsabilidad.

Usted necesitará:

- Un calentador de agua fijado para suministrar a la lavadora agua a 120 °F (49 °C).
- Un contacto eléctrico con conexión a tierra ubicado a una distancia de no más de 6 pies (1,8 m) del lugar donde el cable eléctrico está fijado a la parte posterior de la lavadora. Vea "Requisitos eléctricos".
- Grifos de agua caliente y de agua fría ubicados a una distancia de 4 pies (1,2 m) de las válvulas de llenado del agua caliente y agua fría y una presión de agua de 20–100 lb/pulg² (137,9–689,6 kPa).
- Un piso nivelado con un declive máximo de 1" (25 mm) debajo de la lavadora/secadora completa. No se recomienda instalar la lavadora/secadora sobre superficies blandas del piso, tales como alfombras o superficies con reverso de espuma.
- Un piso resistente y firme que soporte la lavadora/secadora con un peso total (del agua y de la carga) de 450 libras (204 kg).
- Un desagüe de piso debajo del tabique. Los tabiques divisorios prefabricados con contactos eléctricos, las líneas de entrada de agua y las instalaciones con desagües deben ser usados únicamente donde los códigos locales lo permitan.



Espacios libres de instalación para la lavadora/secadora eléctrica apiladas

- La ubicación debe ser lo suficientemente grande para permitir que las puertas de la lavadora y la secadora se abran completamente.
- Debe considerarse espacio adicional para facilitar la instalación y el servicio técnico. Las puertas se abren a más de 180°. La puerta de la lavadora no es reversible.
- Se podrían necesitar espacios libres adicionales para las molduras de la pared, de la puerta y el piso.
- Se recomienda un espacio adicional de 1" (25 mm) en todos los lados de la lavadora/secadora para reducir la transferencia de ruido y mejorar el rendimiento del centrifugado de la lavadora.
- También se debe considerar espacio adicional para otro electrodoméstico que le acompañe.

Instrucciones para la instalación empotrada

Esta lavadora/secadora podrá instalarse en un área empotrada. Para las instalaciones en áreas empotradas, se pueden encontrar los espacios mínimos en la etiqueta de advertencia, en la parte posterior de la secadora.

El espacio de instalación es en pulgadas (centímetros) y es el mínimo permitido. Debe considerarse espacio adicional para facilitar la instalación, el servicio técnico y el cumplimiento de los códigos y ordenanzas locales.

NOTA: La secadora deberá ventilarse al exterior.

REQUISITOS DE INSTALACIÓN DE LA LAVADORA/ SECADORA ELÉCTRICAS APILADAS

Requisitos eléctricos de la lavadora/secadora eléctrica apiladas

Requisitos eléctricos de la lavadora

⚠ ADVERTENCIA



Peligro de Choque Eléctrico

Conecte a un contacto de pared de conexión a tierra de 3 terminales.

No quite la terminal de conexión a tierra.

No use un adaptador.

No use un cable eléctrico de extensión.

No seguir estas instrucciones puede ocasionar la muerte, incendio o choque eléctrico.

- No coloque un fusible en el circuito neutro o de puesta a tierra.
- Esta lavadora/secadora viene equipada con un cable eléctrico dotado de un enchufe de 3 terminales con conexión a tierra.
- Para reducir al mínimo los posibles choques eléctricos, el cable debe ser enchufado en un contacto apropiado de pared de 3 terminales, conectado a tierra de acuerdo con los códigos y normas locales. Si no hay disponible un contacto equivalente, es responsabilidad y obligación personal del cliente de tener un contacto apropiado con conexión a tierra instalado por un electricista calificado.
- Si los códigos lo permiten y se emplea un hilo de conexión a tierra separado, se recomienda que un electricista competente determine si la trayectoria de conexión a tierra es adecuada.
- Si no está seguro de que la conexión a tierra de la lavadora sea la adecuada, verifíquela con un electricista competente.

Conexión a tierra de la lavadora/secadora eléctrica apiladas

INSTRUCCIONES PARA LA CONEXIÓN A TIERRA

Para una lavadora conectada a tierra con cable eléctrico:

Esta lavadora debe conectarse a tierra. En caso de funcionamiento defectuoso o avería, la conexión a tierra reducirá el riesgo de choque eléctrico al proporcionar una vía de menor resistencia para la corriente eléctrica. Esta lavadora viene equipada con un cable eléctrico que tiene un conductor de conexión a tierra del equipo y un enchufe con conexión a tierra. El enchufe debe conectarse en un contacto de pared apropiado que haya sido debidamente instalado y conectado a tierra de conformidad con todos los códigos y ordenanzas locales.

ADVERTENCIA: La conexión incorrecta de la terminal de conexión a tierra del equipo puede ocasionar un riesgo de choque eléctrico. Consulte con un electricista o técnico en reparaciones calificado si tiene duda alguna en cuanto a la conexión a tierra correcta del electrodoméstico.

No modifique el enchufe provisto con el electrodoméstico. Si éste no encaja en el contacto de pared, pida a un electricista calificado que le instale un contacto de pared apropiado.

Para una lavadora con contacto eléctrico permanente:

Esta lavadora debe estar conectada a un sistema de cableado de metal permanente, conectado a tierra, o se debe tender un conducto para la conexión a tierra del equipo con los conductores de circuito y conectado a la terminal de tierra del equipo o al conductor de suministro del electrodoméstico.

REQUISITOS DE INSTALACIÓN DE LA LAVADORA/ SECADORA ELÉCTRICAS APILADAS

Conexión a tierra de la lavadora/secadora eléctrica apiladas (cont.)

INSTRUCCIONES PARA LA CONEXIÓN A TIERRA

- Para la conexión de una secadora mediante cable eléctrico conectado a tierra:

Esta secadora debe estar conectada a tierra. En el caso de funcionamiento defectuoso o avería, la conexión a tierra reducirá el riesgo de choque eléctrico al proporcionar una vía de menor resistencia para la corriente eléctrica. Esta secadora usa un cable que cuenta con un conductor para la conexión a tierra del equipo y un enchufe de conexión a tierra. El enchufe debe conectarse en un contacto apropiado, que esté debidamente instalado y conectado a tierra de acuerdo con todos los códigos y ordenanzas locales.

- Para la conexión permanente de una secadora:

Esta secadora debe estar conectada a un sistema de cableado de metal permanente, conectado a tierra, o se debe tender un conducto para la conexión a tierra del equipo con los conductores de circuito y conectado al terminal de tierra del equipo o al conductor de suministro de la secadora.

ADVERTENCIA: La conexión indebida del conductor para la conexión a tierra del equipo puede ocasionar un riesgo de choque eléctrico. Verifique con un electricista, representante o personal de servicio técnico calificado para asegurarse de que la conexión a tierra de la secadora sea apropiada. No modifique el enchufe que viene con el cable eléctrico. Si no encaja en el contacto, contrate un electricista calificado para que instale un contacto adecuado.

GUARDE ESTAS INSTRUCCIONES

Requisitos eléctricos de la secadora

Usted es responsable de:

- Ponerse en contacto con un instalador eléctrico calificado.
- Asegurarse de que la conexión eléctrica sea adecuada y de conformidad con el Código Nacional Eléctrico, ANSI/NFPA 70-última edición y con todos los códigos y ordenanzas locales.
- El Código Nacional Eléctrico requiere una conexión de suministro de energía eléctrica de 4 hilos para aquellos hogares construidos después de 1996, para los circuitos de secadora que se hayan reformado después de 1996 y todas las instalaciones de casas rodantes.
- Usted puede obtener una copia de las normas de los códigos arriba indicadas en: National Fire Protection Association, One Batterymarch Park, Quincy, MA 02269.
- Proveer el suministro eléctrico requerido de 3 ó 4 hilos, monofásico, de 240 voltios, 60 Hz, CA solamente (o un suministro eléctrico de 3 ó 4 hilos, de 120/208 voltios, si se especifica en la placa indicadora de clasificación/de la serie) en un circuito separado de 30 amperios, protegido con fusibles en ambos lados de la línea. Se recomienda un fusible retardador o un cortacircuitos. Conéctelo a un circuito derivado individual. No tenga un fusible en el circuito neutro o de conexión a tierra.
- No use un cable eléctrico de extensión.
- Si los códigos lo permiten y se emplea un hilo de conexión a tierra separado, se recomienda que un electricista competente determine si la trayectoria de conexión a tierra es adecuada.

Conexión eléctrica

Para instalar su secadora adecuadamente, usted debe determinar el tipo de conexión eléctrica que va a usar y seguir las instrucciones que aquí se proveen para el caso.

- Esta secadora ha sido manufacturada lista para ser instalada en una conexión de suministro de energía eléctrica de 3 hilos. El conductor de puesta a tierra neutro está permanentemente conectado al conductor neutral (cable blanco), dentro de la secadora. Si la secadora está instalada con una conexión de suministro eléctrico de 4 hilos, el conductor neutro de puesta a tierra se debe quitar del conector de puesta a tierra exterior (tornillo verde) y se debe ajustar debajo de la terminal neutra (cable central o blanco) del bloque de terminal. Cuando el conductor neutro de puesta a tierra esté ajustado debajo de la terminal neutra (cable central o blanco) del bloque de terminal, la carcasa de la secadora queda aislada del conductor neutral.
- Si los códigos locales no permiten la conexión de un conductor neutro conectado a tierra al hilo neutro, vea la sección "Conexión opcional de 3 hilos".
- Deberá usarse una conexión con suministro de energía de 4 hilos cuando el aparato esté instalado en una ubicación en la cual esté prohibida la conexión a tierra a través del conductor neutro. Está prohibido hacer la puesta a tierra a través del conductor neutro para (1) las nuevas instalaciones de circuito derivado, (2) casas rodantes, (3) vehículos de recreación y (4) áreas donde los códigos locales prohíben la conexión a tierra a través del conductor neutro.

REQUISITOS DE INSTALACIÓN DE LA LAVADORA/ SECADORA ELÉCTRICAS APILADAS

Cable de suministro eléctrico de la secadora eléctrica

⚠ ADVERTENCIA



Peligro de Incendio

Use un cable de suministro eléctrico nuevo de 30 amperes que esté en la lista de UL.

Use un protector de cables que esté en la lista de UL.

Desconecte el suministro eléctrico antes de hacer las conexiones eléctricas.

Conecte el alambre neutro (el blanco o el del centro) al terminal central.

El alambre de tierra (el verde o el no aislado) se debe conectar con el conector verde de tierra.

Conecte los 2 alambres de suministro restantes con las 2 terminales restantes (las doradas).

Apriete firmemente todas las conexiones eléctricas.

No seguir estas instrucciones puede ocasionar la muerte, incendio, o choque eléctrico.

Si emplea un cable de suministro eléctrico:

Use un juego de cable de suministro de energía que esté en la lista de UL, para ser usado con secadoras de ropa. El juego deberá incluir:

- Un cable de suministro de energía de 30 amperios que esté en la lista de UL, de 240 voltios como mínimo. El cable deberá ser del tipo SRD o SRDT y tener por lo menos 4 pies (1,22 m) de largo. Los hilos que lo conectan a la secadora deben acabar en terminales de anillo o de horquilla en forma de "U" con los extremos hacia arriba.
- Un protector de cables que esté en la lista de UL.

Si el contacto de pared luce como éste:



Contacto de 4 hilos (14-30R)

Entonces elija un cable de suministro eléctrico de 4 hilos con terminales de anillo o de horquilla y con protector de cables que esté en la lista de UL. El cordón de suministro de corriente de 4 hilos, de por lo menos 4 pies (1,22 m) de largo, debe tener 4 hilos de cobre sólido de calibre 10 y encajar en un tomacorriente para 4 hilos de NEMA Tipo 14-30R. El hilo de puesta a tierra (conductor de puesta a tierra) debe ser verde o desnudo. El conductor neutral debe ser identificado con una cubierta blanca.

Si el contacto de pared luce como éste:



Contacto de 3 hilos (10-30R)

Entonces elija un cable de suministro eléctrico de 3 hilos con terminales de anillo o de horquilla y con protector de cables que esté en la lista de UL. El cable de suministro de corriente de 3 hilos, de por lo menos 4 pies (1,22 m) de largo, debe tener 3 hilos de cobre sólido de calibre 10 y encajar en un tomacorriente para 3 hilos de NEMA Tipo 10-30R.

Cable directo de la secadora

⚠ ADVERTENCIA



Peligro de Incendio

Utilice alambre de cobre de calibre 10.

Use un protector de cables que esté en la lista de UL.

Desconecte el suministro eléctrico antes de hacer las conexiones eléctricas.

Conecte el alambre neutro (el blanco o el del centro) a la terminal central.

El alambre de tierra (el verde o el no aislado) se debe conectar con el conector verde de tierra.

Conecte los 2 alambres de suministro restantes con las 2 terminales restantes (las doradas).

Apriete firmemente todas las conexiones eléctricas.

No seguir estas instrucciones puede causar la muerte, incendio o choque eléctrico.

Si hace la conexión con cableado directo:

El cable de suministro eléctrico debe ser igual al suministro eléctrico (de 4 hilos o de 3 hilos) y debe ser:

- Cable blindado flexible o cable de cobre forrado no metálico (con hilo de puesta a tierra), cubierto con un conducto metálico flexible. Todos los hilos conductores de corriente deben estar aislados.
- Hilo de cobre sólido de calibre 10 (no utilice aluminio).
- Tener por lo menos 5 pies (1.52 m) de longitud.

REQUISITOS DE VENTILACIÓN DE LA SECADORA

⚠️ ADVERTENCIA



Peligro de Incendio

Use un ducto de escape de metal pesado.

No use un ducto de escape de plástico.

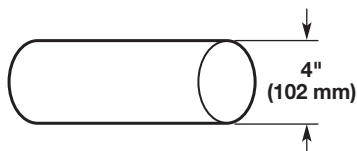
No use un ducto de escape de aluminio.

No seguir estas instrucciones puede ocasionar la muerte o incendio.

ADVERTENCIA: Para reducir el riesgo de incendio, esta secadora DEBE VENTILARSE HACIA EL EXTERIOR.

IMPORTANTE: Observe todos los códigos y ordenanzas aplicables.

El ducto de escape de la secadora no debe conectarse en ningún ducto de gas, chimenea, pared, techo, desván, espacio angosto o el espacio oculto de un edificio. Deberá usarse solamente un ducto de metal rígido o flexible para la ventilación.



Ducto de escape de metal pesado de 4" (102 mm)

- Sólo puede usarse un ducto de escape de metal pesado de 4" (102 mm) y abrazaderas.
- No utilice un ducto de escape de plástico ni de aluminio.

Ducto de escape de metal rígido:

- Se recomienda para un mejor desempeño en el secado y para evitar que se aplaste o se tuerza.

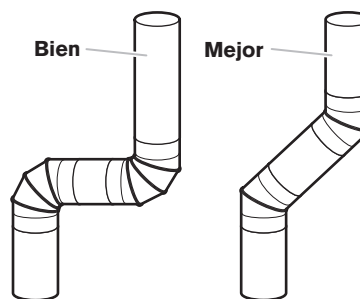
Ducto de escape de metal flexible: (Es aceptable sólo si es accesible para la limpieza)

- Deberá extenderse por completo y tener soporte en la ubicación final de la secadora.
- Quite el exceso del mismo para evitar que se doble y se tuerza, lo cual podría dar lugar a una reducción del flujo de aire y a un rendimiento insuficiente.
- No instale un ducto de escape de metal flexible en paredes, techos o pisos encerrados.
- La longitud total no deberá exceder los 7³/₄ pies (2,4 m).

NOTA: Si se usa un sistema de ventilación existente, limpie la pelusa que está en toda la longitud del sistema y asegúrese de que la capota de ventilación no esté obstruida con pelusa. Reemplace los ductos de escape de plástico o de hoja de metal por ductos de metal rígido o de metal flexible. Revise el "Cuadro del sistema de ventilación" y, si es necesario, modifique el sistema de ventilación existente para lograr el mejor desempeño de secado.

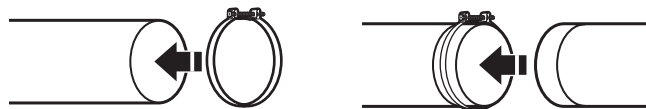
Codos:

- Los codos de 45° proveen un mejor flujo de aire que los codos de 90°.



Abrazaderas:

- Utilice abrazaderas para sellar todas las juntas.
- No debe conectarse ni asegurarse el ducto de escape con tornillos ni con ningún otro dispositivo de sujeción que se extienda hacia el interior de dicho ducto y atrape pelusa. No utilice cinta para ductos.



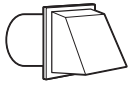
La ventilación inadecuada puede ocasionar la acumulación de humedad y pelusa en la casa, lo cual puede dar como resultado:

- Daños de humedad en la carpintería, muebles, pintura, empapelado, alfombras, etc.
- Problemas en la limpieza de la casa y de salud.

REQUISITOS DE VENTILACIÓN DE LA SECADORA

Capotas de ventilación

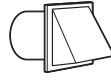
Capotas de ventilación de 4" (102 mm) de diámetro



capota tipo caja

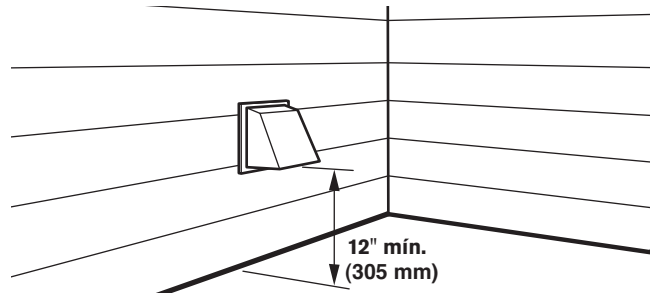


capota tipo persiana



capota angular

La capota de ventilación debe estar por lo menos a 12" (305 mm) de distancia del piso o de cualquier objeto que pudiese estar en el trayecto del ducto de escape (como flores, rocas, arbustos o nieve).



Largo del sistema de ventilación

Largo máximo del ducto de ventilación/Conexión de la ventilación

La longitud máxima del sistema de ventilación depende del tipo de ducto que se use, el número de codos y el tipo de capota de ventilación.

Cuadro del sistema de ventilación (ducto de escape de metal rígido)

Nº de vueltas de 90°	Capota tipo caja y tipo persiana	Capota angular
0	135 pies (41,2 m)	129 pies (39,3 m)
1	125 pies (38,1 m)	119 pies (36,3 m)
2	115 pies (35,1 m)	109 pies (33,2 m)
3	106 pies (32,3 m)	100 pies (30,5 m)
4	98 pies (29,9 m)	92 pies (28,0 m)

Para los sistemas de ventilación que no se incluyan en el cuadro de especificaciones de ventilación, póngase en contacto con su distribuidor de piezas.

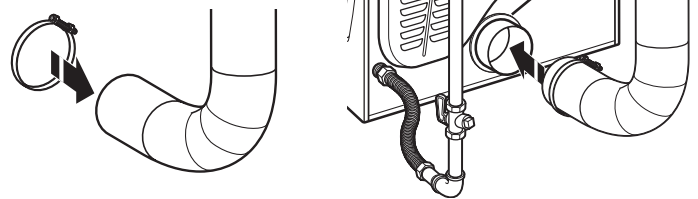
Se deben realizar previsiones para que haya suficiente aire para la combustión y la ventilación. (Verifique los códigos y reglamentos aplicables.) Consulte "Instrucciones para la instalación empotrada y en clóset" en las secciones "Ubicación de la lavadora/secadora a gas apiladas" y "Ubicación de la lavadora/secadora eléctrica apiladas".

Se prefiere una capota de salida de 4" (102 mm). Aún así, podrá usarse una salida de escape de 2½" (64 mm). Una salida de 2½" (64 mm) ocasiona mayor contrapresión que los otros tipos de capotas. Para una instalación permanente, se necesita un sistema fijo de ventilación.

Conexión del ducto de escape

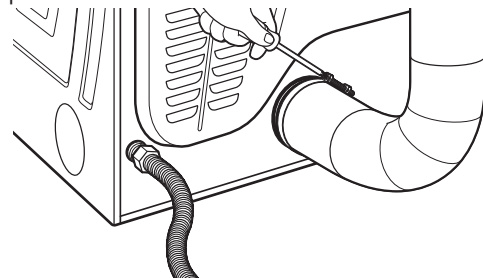
1. Si se conecta a un ducto de escape existente, asegúrese de que el mismo esté limpio.
2. Usando una abrazadera de 4" (102 mm), conecte el ducto de escape a la salida de aire en la secadora.

Collar del ducto de escape

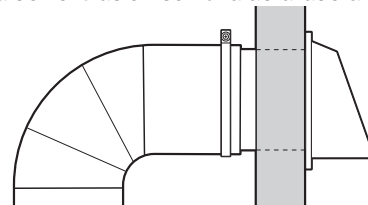


NOTA: No quite el collar del ducto de escape.

3. Apriete la abrazadera de manguera con un destornillador Phillips.



4. Cerciórese de que el ducto de escape esté asegurado a la capota de ventilación con una abrazadera de 4" (102 mm).

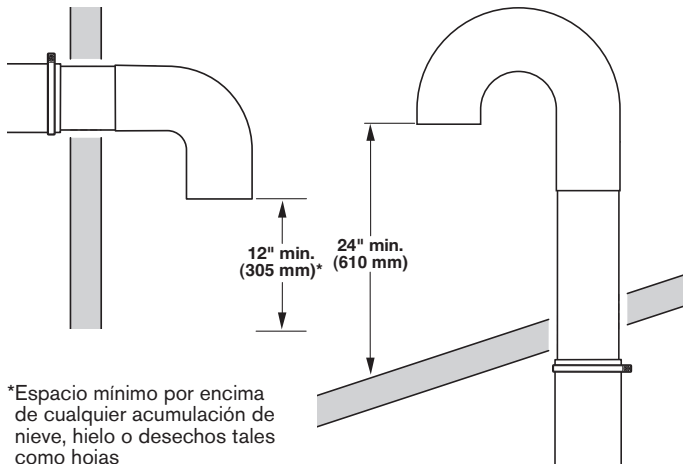


5. Mueva la secadora a su posición final. No aplaste ni retuerza el ducto de escape. Asegúrese de que la secadora esté nivelada.

REQUISITOS DE VENTILACIÓN DE LA SECADORA

Si no puede usarse una capota de ventilación

El extremo exterior del ducto de ventilación principal debe tener un codo redondo dirigido hacia abajo.



*Espacio mínimo por encima de cualquier acumulación de nieve, hielo o desechos tales como hojas

Si el ducto de ventilación principal tiene una trayectoria vertical a través del techo en vez de la pared, instale un codo redondo de 180° en el extremo del ducto, a un mínimo de 2 pies (610 mm) por arriba de la superficie del techo.

La abertura en la pared o el techo deberá tener un diámetro de 1/2" (13 mm) mayor que el diámetro del ducto. El ducto debe centrarse en la abertura.

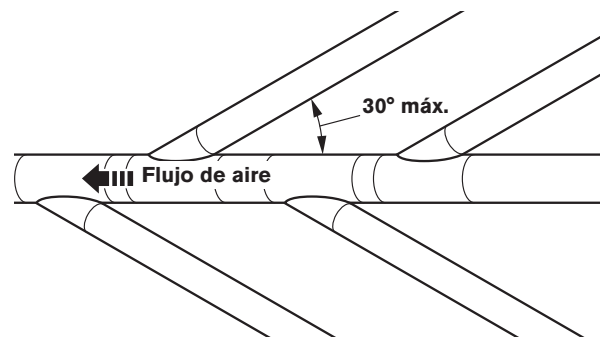
Para obtener el mejor desempeño, no debe instalar una pantalla sobre el extremo del ducto.

Ventilación para múltiples secadoras

Puede usarse un ducto de ventilación principal para la ventilación de un grupo de secadoras. El ducto principal deberá tener el tamaño adecuado para sacar 200 CFM (pies cúbicos por minuto) de aire por cada secadora. Pueden usarse filtros de pelusa de gran capacidad con el diseño adecuado en el ducto principal si se controlan y se limpian con frecuencia. La habitación en donde estén ubicadas las secadoras deberá tener aire de reposición suficiente o mayor que los CFM de todas las secadoras en la habitación.

Un juego de compuerta de contratiro, Pieza N° 3391910, se encuentra disponible con su distribuidor y se debe instalar en el ducto de cada secadora, para evitar que el aire de escape regrese a las secadoras, así como para mantener el ducto de escape equilibrado con el ducto principal. Se requieren aberturas de aire de retorno sin obstrucciones.

Cada ducto deberá entrar en el ducto de escape principal a un ángulo que apunte hacia la dirección del flujo de aire. Los ductos que entran del lado opuesto deberán alternarse para reducir la interferencia del aire de salida con los otros ductos.



El ángulo máximo de cada ducto que entra en el ducto principal deberá ser no más de 30°.

REQUISITOS DEL SUMINISTRO DE GAS DE LA SECADORA

Tipo de gas

Esta secadora está equipada para uso con gas natural. Su diseño está certificado por CSA International para gases LP (propano y butano) con la conversión apropiada. No se deberá hacer intento alguno para convertir la secadora del gas especificado en la placa indicadora de la serie/clasificación para utilizar un gas distinto sin consultar con el abastecedor de gas.

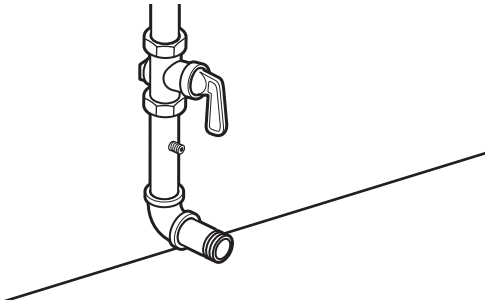
La conversión deberá llevarla a cabo un técnico de servicio calificado.

Los números de pieza del juego de conversión de gas se indican en la base del quemador de la válvula de gas.

Línea de suministro de gas

Método recomendado

Provea una línea de suministro de gas de tubería rígida (IPS) de 1/2" (13 mm) hacia la ubicación de la secadora. Pueden usarse compuestos para uniones de tubería que sean resistentes a la acción del gas LP. No utilice cinta TEFLON[†]. Con el gas LP, el tamaño de la tubería puede ser de un mínimo de 1/2" (13 mm). Por lo general, los proveedores de gas LP determinan el tamaño y los materiales a usarse en el sistema.



Prueba de presión del suministro de gas

Se debe instalar una derivación tapada NTP de por lo menos 1/8" (3 mm), accesible para las pruebas de calibre, inmediatamente debajo de la válvula de cierre instalada que va a la secadora (como se muestra arriba). Se debe desconectar la secadora del sistema de tubería del suministro de gas, siempre que se hagan pruebas de presión de dicho sistema a presiones de prueba que excedan 1/2 lb/pulg² (352 kg/m²).

Método alterno

El suministro de gas también se puede conectar usando tubería aprobada de cobre o aluminio de 3/8" (10 mm). Si la longitud total de la línea de suministro es mayor que 20 pies (6,1 m), deberá usarse tubos más largos.

Si va a usar gas natural, no use tubería de cobre. Deben usarse compuestos para uniones de tubería que sean resistentes a la acción del tipo de gas provisto.

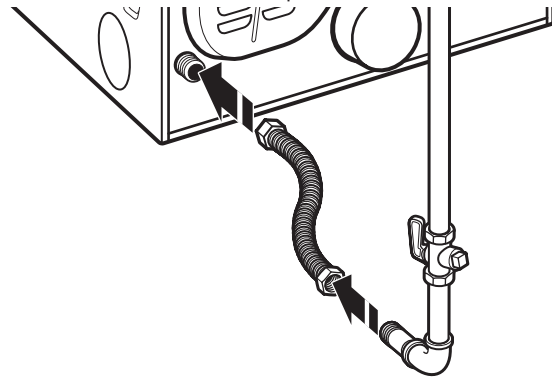
Se requiere una válvula de cierre

La línea de suministro debe estar equipada con una válvula de cierre manual instalada a una distancia menor de 6 pies (1,8 m) de la secadora, de acuerdo al National Fuel Gas Code (Código nacional de gas combustible), ANSI Z223.1. Esta válvula debe encontrarse en la misma habitación que la secadora. Deberá estar en una ubicación que permita un fácil acceso para abrir y cerrar. No bloquee el acceso a la válvula de cierre. En Canadá, se deberá instalar una válvula de cierre manual de acuerdo con los códigos B149 de instalación CAN/CGA B149.1 y CAN/CGA B149.2.

Conector flexible de metal para el aparato

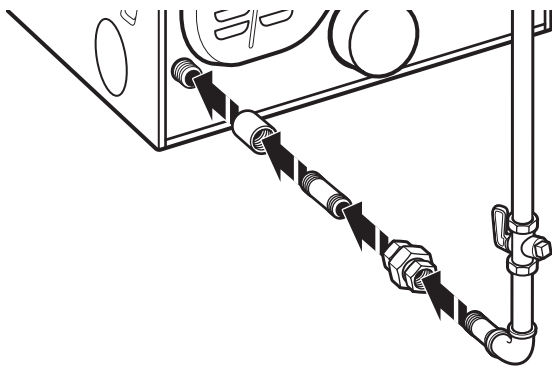
Se recomienda usar una nueva línea flexible de gas de acero inoxidable, cuyo diseño esté certificado por CSA (Asociación canadiense de seguridad), para conectar la secadora a la línea de suministro de gas. (El tubo de gas, que se extiende a través de la parte posterior inferior de la secadora, está suministrado con una rosca macho para tubería de 3/8" [10 mm].)

NOTA: No tuerza ni dañe la línea de gas flexible de acero inoxidable cuando mueva la puerta.



Conexión de tubería rígida

La conexión de tubería rígida requiere una combinación de accesorios de tubería para obtener una conexión en línea hacia la secadora.



[†]TEFLON es una marca registrada de Chemours.

INSTALACIÓN DE LA LAVADORA/SECADORA APILADAS

Quite el sistema de transporte

NOTA: Deslice la lavadora/secadora sobre un pedazo de cartón o madera dura antes de moverla para no dañar el acabado del piso.

⚠ ADVERTENCIA

Peligro de Peso Excesivo

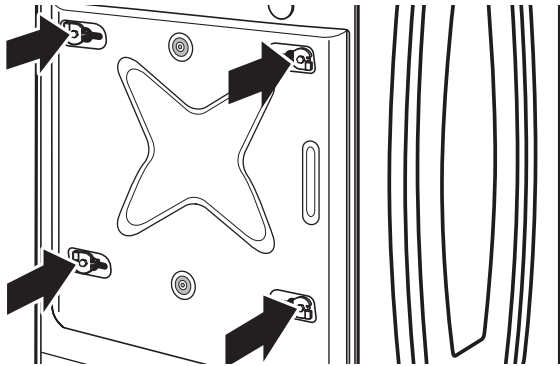
Use dos o más personas para mover e instalar la lavadora/secadora.

No seguir esta instrucción puede ocasionar una lesión en la espalda u otro tipo de lesiones.

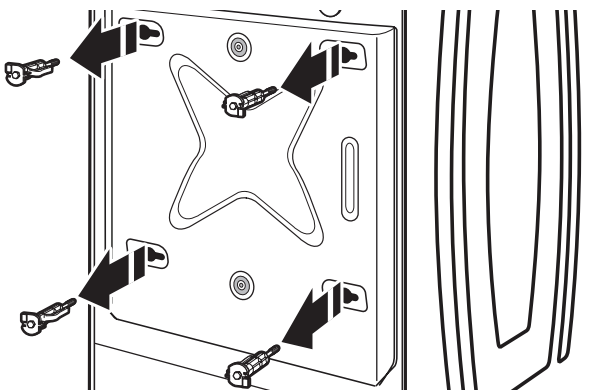
IMPORTANTE: Coloque la lavadora/secadora de modo que la parte posterior de la lavadora esté aproximadamente a 3 pies (900 mm) de distancia de su ubicación final.

Hay 4 pernos de transporte en el panel posterior de la lavadora que sostienen el sistema de suspensión durante el transporte. Estos pernos también retienen el cable de suministro de energía dentro de la lavadora hasta que se quiten los pernos.

1. Mantenga la lavadora/secadora en posición vertical mientras quita los pernos de transporte.
2. Afloje cada uno de los pernos con una llave de tuercas de 1/2" (13 mm).



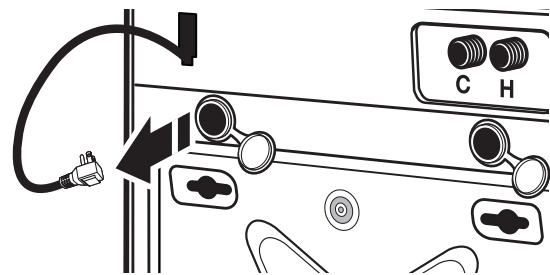
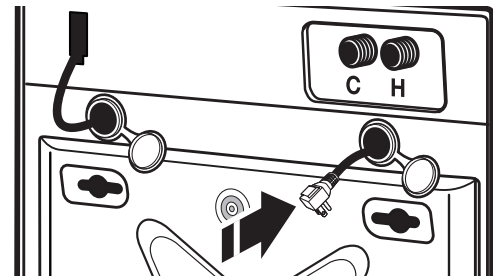
3. Una vez que el perno esté flojo, muévelo hacia el centro del orificio y jálelo hacia fuera por completo, incluyendo el espaciador de plástico que cubre el perno. Una vez que se hayan quitado los cuatro pernos, descarte los pernos y los espaciadores.



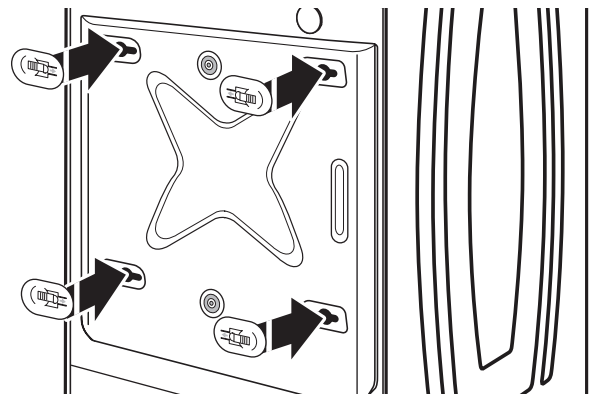
4. Modelos con suministro de energía de lavadora separada:

Empuje el cable de suministro de energía dentro de la abertura, en lado derecho del panel posterior, y jale el cable de suministro de energía a través de la abertura en el lado izquierdo del panel posterior; cierre los orificios con la tapa provista. No jale el extremo del cable de suministro de energía a través del orificio del lado derecho.

NOTA: Si no es posible jalar el cable fuera de la parte posterior de la lavadora fácilmente, no lo fuerce para evitar que las piezas interiores de la lavadora o el cable de suministro de energía se dañen. Quite el panel posterior de la lavadora y pase el cable de suministro de energía por el espacio libre de la obstrucción para sacarlo por el orificio en el lado izquierdo del panel posterior.



5. Cierre los orificios de los pernos con los 4 tapones para orificios de pernos de transporte.

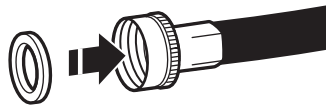


IMPORTANTE: Si se va a transportar la lavadora/secadora, llame al distribuidor o el instalador del producto. Para prevenir daños estructurales y de suspensión, su lavadora/secadora debe estar debidamente preparada para ser nuevamente ubicada por un profesional competente.

INSTALACIÓN DE LA LAVADORA/SECADORA APILADAS

Conexión de las mangueras de entrada

Inserte las nuevas arandelas para manguera (suministradas) en cada extremo de las mangueras de entrada. Asiente firmemente las arandelas en los acoplamientos.

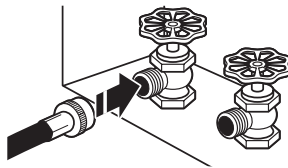


arandela acoplamiento

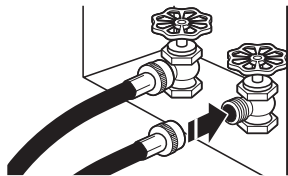
Conecte las mangueras de entrada a los grifos del agua

Asegúrese de que el tambor de la lavadora esté vacío.

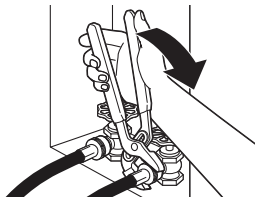
1. Sujete una manguera al grifo de agua caliente. Atornille el acoplamiento con la mano hasta que se asiente en la arandela.



2. Sujete una manguera al grifo de agua fría. Atornille el acoplamiento con la mano hasta que se asiente en la arandela.



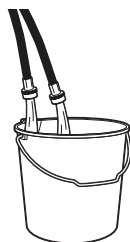
3. Usando las pinzas, apriete los acoplamientos dos tercios de vuelta adicional.



NOTA: No apriete la válvula en exceso ni use cinta o selladores en la misma. Se pueden dañar las válvulas.

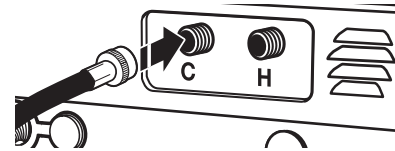
Despeje las líneas de agua

- Deje correr el agua de los grifos y las mangueras de desagüe en un lavadero, tubo de desagüe o cubeta para eliminar las partículas que se encuentran en las tuberías del agua, las cuales podrían obstruir los filtros de la válvula de entrada.
- Verifique la temperatura del agua para asegurarse de que la manguera de agua caliente esté conectada al grifo de agua caliente y que la manguera de agua fría esté conectada al grifo de agua fría.

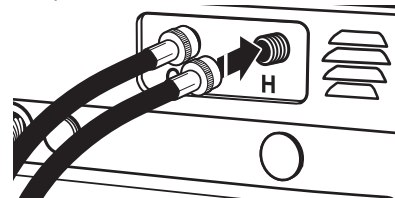


Conecte las mangueras de entrada a la lavadora

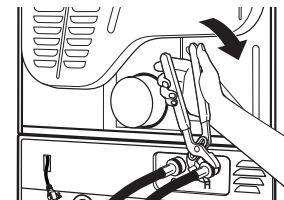
1. Fije la manguera de agua fría a la válvula de entrada de agua fría de la lavadora. Atornille el acoplamiento con la mano hasta que se asiente en la arandela.



2. Fije la manguera de agua caliente a la válvula de entrada de agua caliente de la lavadora. Atornille el acoplamiento con la mano hasta que se asiente en la arandela.

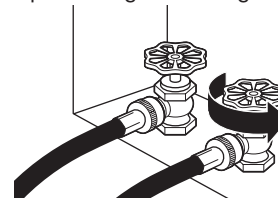


3. Usando las pinzas, apriete los acoplamientos dos tercios de vuelta adicional.



NOTA: No apriete demasiado. Se puede dañar la válvula.

4. Abra por completo los grifos del agua y revise si hay fugas.



NOTA: Reemplace las mangueras de entrada después de 5 años de uso para reducir el riesgo de que fallen. Para consulta en el futuro, anote en las mangueras la fecha de instalación o la fecha de reposición de las mismas.

Inspeccione periódicamente y reemplace las mangueras si aparecen bultos, torceduras, cortaduras, desgaste o filtraciones.

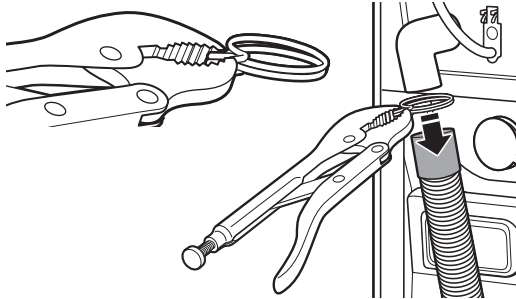
INSTALACIÓN DE LA LAVADORA/SECADORA APILADAS

Dirija la manguera de desagüe

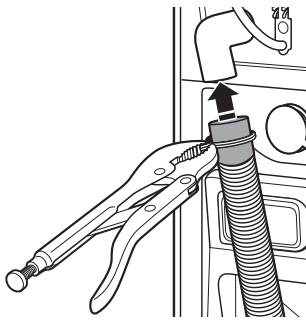
El tendido apropiado de la manguera de desagüe evita daños a sus pisos ocasionados por filtraciones de agua. Lea y siga estas instrucciones.

Retire la manguera de desagüe de la canasta de la lavadora

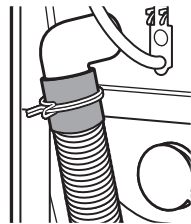
1. Usando pinzas de presión, apriete las lengüetas de la abrazadera para manguera para unir las, e insértelas en el extremo de la manguera de desagüe.



2. Deslice la manguera de desagüe en la conexión de la lavadora.

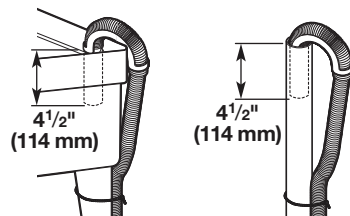


3. Una vez que la manguera de desagüe esté en su lugar, deje de apretar las pinzas.



Asegure la manguera de desagüe

1. Coloque el cable de suministro de energía encima de la lavadora.
2. Mueva la lavadora a su ubicación final.
3. Ubique la manguera de desagüe en la tina del fregadero o tubo vertical, como se muestra.
4. Asegure la manguera de desagüe con el fleje de atadura rebordeado suministrado.



4. El sistema de desagüe de la lavadora se puede instalar utilizando un desagüe de piso, un tubo vertical de pared, un tubo vertical de piso o una tina de lavadero.

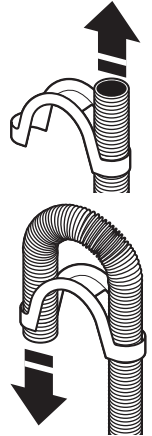
Desagüe de la tina de lavadero o desagüe de tubo vertical

Conecte el molde de la manguera de desagüe a la manguera de desagüe corrugada.

Encaje cualquiera de los extremos del molde de la manguera de desagüe a la manguera de desagüe en el lugar donde comienza el corrugado.

Doble la manguera de desagüe sobre el molde de la manguera de desagüe y trábela en su lugar.

NOTA: La manguera no se debe extender más de 1" (25 mm) más allá del extremo del doblez en U.



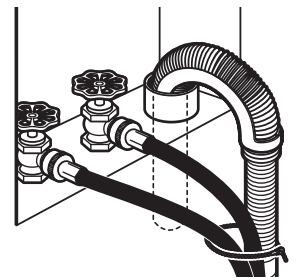
Para evitar que el agua de desagüe vuelva a su lavadora:

- No enderece la manguera de desagüe ni fuerce el exceso de la misma dentro del tubo vertical. La manguera debe quedar asegurada pero lo suficientemente floja que permita un espacio para el aire.
- No tienda el exceso de la manguera en el fondo de la tina del lavadero.

Desagüe por el piso

Quizás necesite piezas adicionales. Ver "Piezas adicionales".

5. Si los grifos de suministro de la lavadora y el tubo vertical de desagüe están empotrados, ponga el extremo en forma de gancho de la manguera de desagüe en el tubo vertical, como se muestra.



NOTAS:

- No fuerce el exceso de la manguera de desagüe dentro de la parte posterior de la lavadora.
- Para evitar el sifonaje de agua, no selle la manguera de desagüe en el tubo vertical.

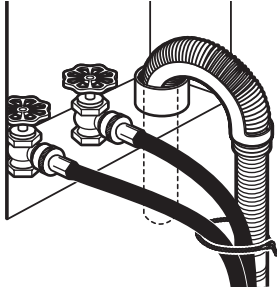
SISTEMA DE DESAGÜE DE LA LAVADORA

Se puede instalar la lavadora utilizando el sistema de desagüe por tubo vertical (en el piso o en la pared), el sistema de desagüe por la tina de lavadero, o el sistema de desagüe por el piso.

Sistema de desagüe por tubo vertical: pared o piso

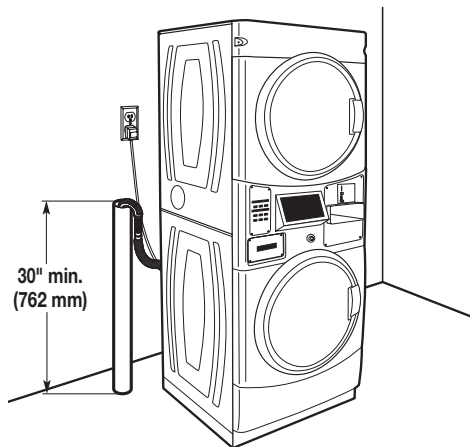
El desagüe por tubo vertical necesita un tubo vertical con un diámetro mínimo de 2" (50 mm). La capacidad mínima de desagüe no puede ser menor de 10 gal (38 L) por minuto.

Pared



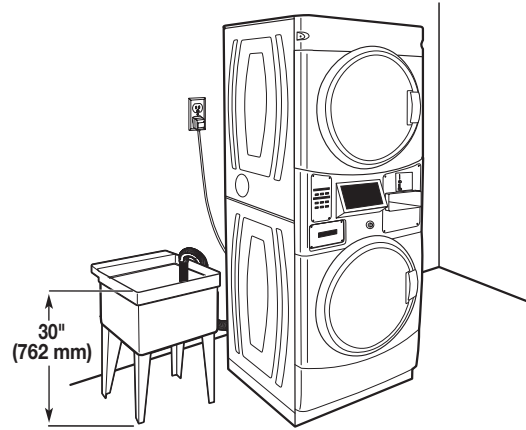
La parte superior del tubo vertical debe tener una altura mínima de 30" (762 mm) y máxima de 96" (2,4 m) desde la parte inferior de la lavadora.

Piso



Sistema de desagüe de tina de lavadero

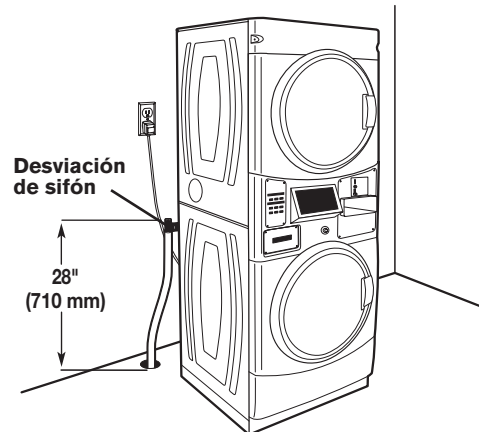
La tina de lavadero necesita una capacidad mínima de 20 gal. (76 L). La parte superior de la tina de lavadero debe estar a una altura mínima de 30" (762 mm) del piso.



Sistema de desagüe por el piso

El sistema de desagüe por el piso necesita una desviación de sifón que puede adquirirse por separado.

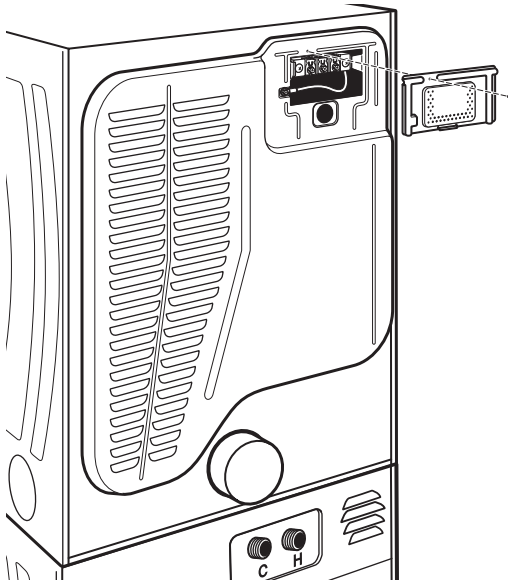
La desviación de sifón (Pieza número 285834) debe estar a una distancia mínima de 28" (710 mm) de la parte inferior de la lavadora. Se pueden necesitar mangueras adicionales.



CONEXIONES ELÉCTRICAS DE LA SECADORA ELÉCTRICA

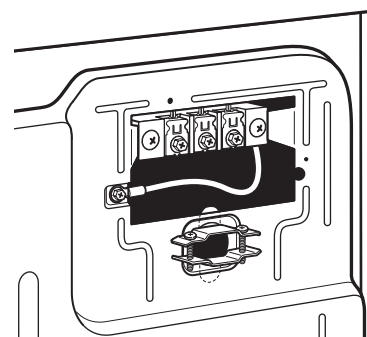
Protector de cables

Quite la tapa del bloque de terminal

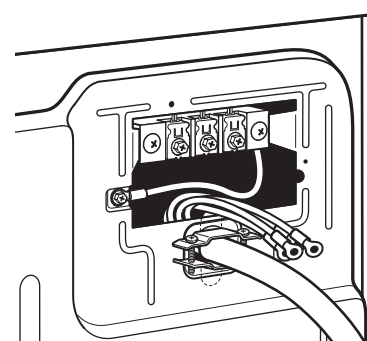


Protector de cables del cable de suministro de energía

1. Inserte el protector de cables.



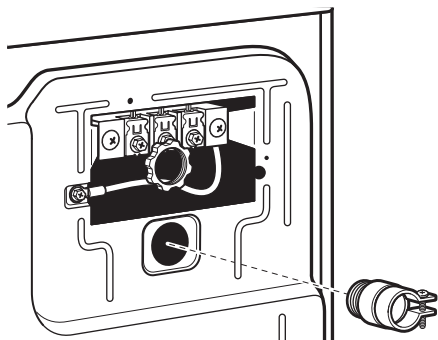
2. Inserte el cable de suministro de energía en el protector de cables.



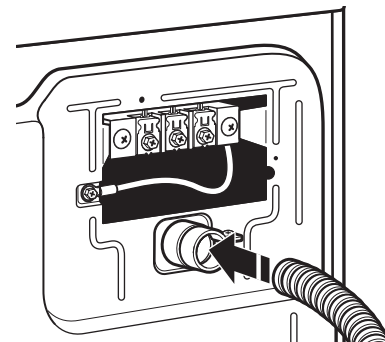
Protector de cables

Protector de cables para cable directo

1. Inserte el protector de cables.



2. Inserte el conducto en el protector de cables y apriete la abrazadera.

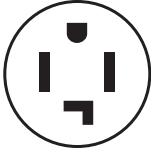


CONEXIONES ELÉCTRICAS DE LA SECADORA ELÉCTRICA

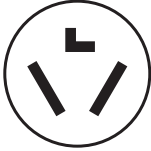
Opciones de conexión

Cable de suministro de energía

Contacto de 4 hilos (tipo NEMA 14-30R)

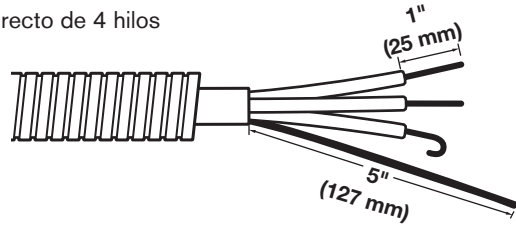


Contacto de 3 hilos (tipo NEMA 10-30R)

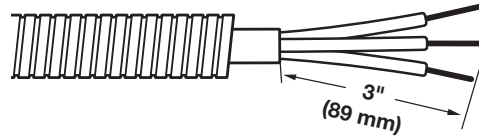


Cable directo

Cable directo de 4 hilos



Cable directo de 3 hilos



Cómo hacer la conexión de 4 hilos: Cable de suministro de energía

IMPORTANTE: Se necesita una conexión de 4 hilos para las casas rodantes y donde los códigos locales no permitan el uso de conexiones de 3 hilos.

Conectores estándar del cable de suministro de energía



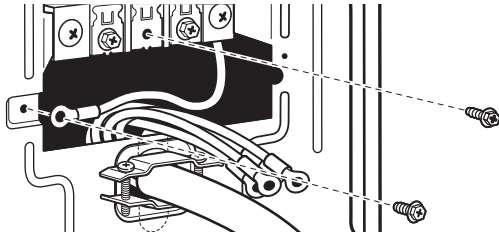
Conector de horquilla con bridas



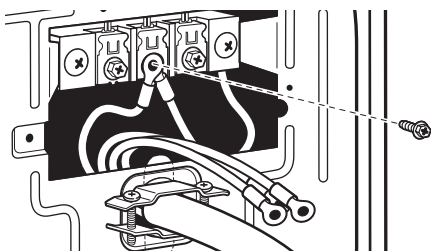
Conector de anillo

Cómo hacer la conexión de los hilos de puesta a tierra y neutro

1. Para quitar el tornillo central del bloque de terminal y el hilo de conexión a tierra, remueva el tornillo conector de puesta a tierra externo.

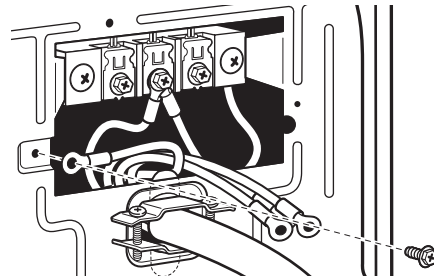


2. Conecte el hilo de puesta a tierra y el hilo neutro al bloque de terminal central.



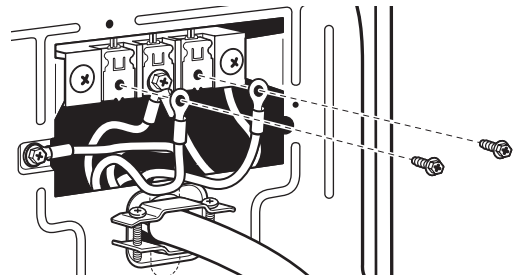
Cómo hacer la conexión a tierra del cable directo

3. Conecte el hilo de puesta a tierra (verde o desnudo) con el tornillo conector de puesta a tierra exterior.



Cómo conectar los hilos restantes

4. Conecte los hilos restantes a los tornillos de los bloques de terminal de los extremos.



CONEXIONES ELÉCTRICAS DE LA SECADORA ELÉCTRICA

Cómo hacer la conexión de 3 hilos: Cable de suministro de energía

Conectores estándar del cable de suministro de energía



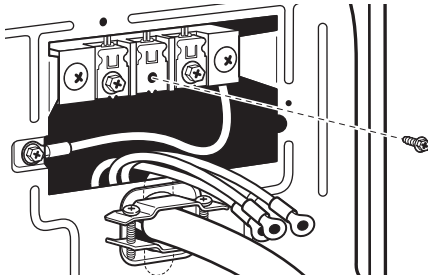
Conector de horquilla con bridas



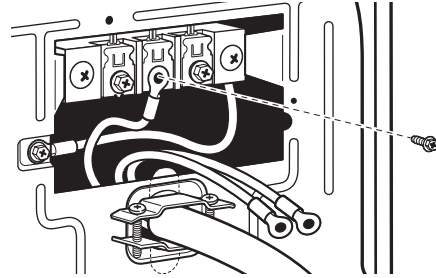
Conector de anillo con bridas

Cómo conectar el hilo neutro

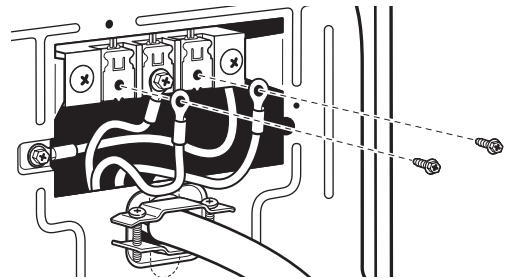
1. Afloje o saque el tornillo del bloque de terminal central.



2. Conecte el hilo neutro al bloque de terminal central.



3. Conecte los hilos restantes a los tornillos de los bloques de terminal de los extremos.



Cómo hacer la conexión de 4 hilos: Cable directo

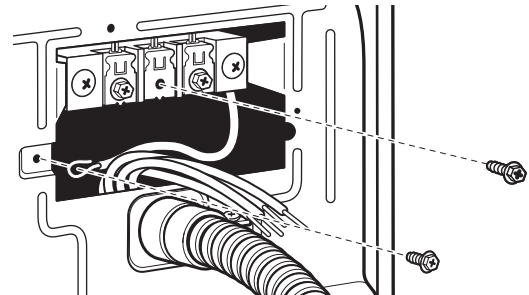
IMPORTANTE: Se necesita una conexión de 4 hilos para las casas rodantes y donde los códigos locales no permitan el uso de conexiones de 3 hilos.

El cable del hilo directo deberá tener 5 pies (1,52 m) de largo adicional, para poder mover la secadora si es necesario.

Pele 5" (127 mm) de la cubierta exterior del extremo del cable, dejando el cable a tierra desnudo a 5" (127 mm). Corte 1 1/2" (38 mm) de los 3 hilos restantes. Pele el aislamiento 1" (25 mm). Doble los extremos de los hilos para formar un gancho.

Cómo hacer la conexión de los hilos a tierra y neutro

1. Para quitar el tornillo central del bloque de terminal y el hilo de conexión a tierra, remueva el tornillo externo del conector de puesta a tierra.

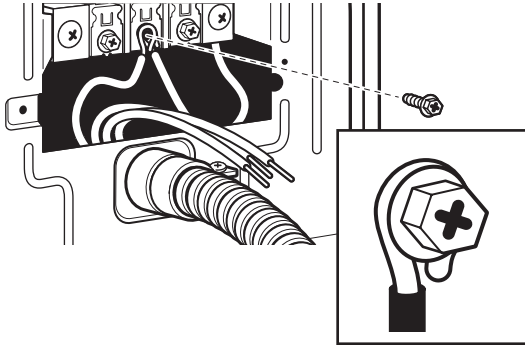


CONEXIONES ELÉCTRICAS DE LA SECADORA ELÉCTRICA

Cómo hacer la conexión de 4 hilos: Cable directo

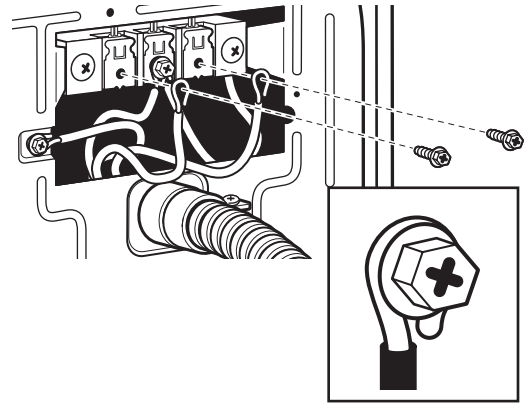
Cómo hacer la conexión de los hilos a tierra y neutro (continuación)

2. Conecte el hilo de puesta a tierra y el hilo neutro al bloque de terminal central.



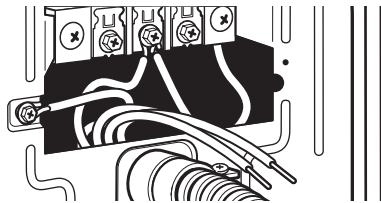
Cómo conectar los hilos restantes

4. Conecte los hilos restantes al bloque de terminal del extremo.



Cómo hacer la conexión a tierra del cable directo

3. Conecte el hilo de puesta a tierra (verde o desnudo) con el tornillo conector de puesta a tierra exterior.



Cómo hacer la conexión de 3 hilos: Cable directo

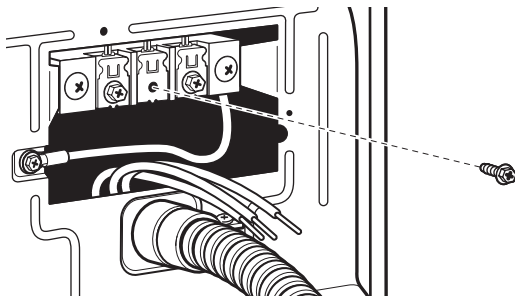
Úselo donde los códigos locales permitan la conexión del conductor de tierra de la carcasa al hilo neutro.

El cable del hilo directo deberá tener 5 pies (1,52 m) de largo adicional, para poder mover la secadora si es necesario.

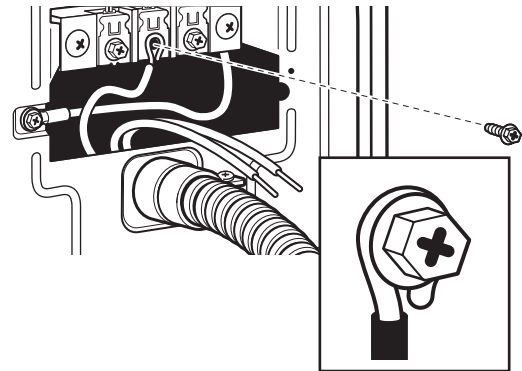
Pele 3 1/2" (89 mm) de la cubierta exterior del extremo del cable. Pele el aislamiento 1" (25 mm). Si va a usar el cable de 3 hilos con hilo a tierra, corte el hilo desnudo alineado con la cubierta exterior. Doble los extremos de los hilos para formar un gancho.

Cómo conectar el hilo neutro

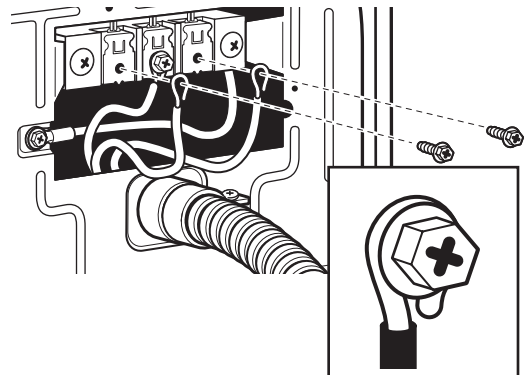
1. Afloje o saque el tornillo del bloque de terminal central.



2. Conecte el hilo neutro al bloque de terminal central.



3. Conecte los hilos restantes al bloque de terminal del extremo.



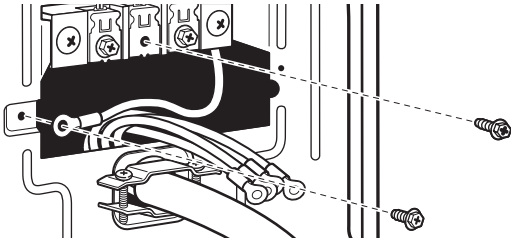
CONEXIONES ELÉCTRICAS DE LA SECADORA ELÉCTRICA

Cómo hacer la conexión de 3 hilos: Opcional

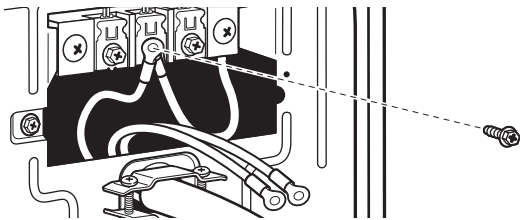
Úselo para el cable directo o el cable de suministro de energía donde los códigos locales no permiten conectar un conductor de conexión a tierra de la carcasa al hilo neutro.

Cómo conectar el hilo neutro

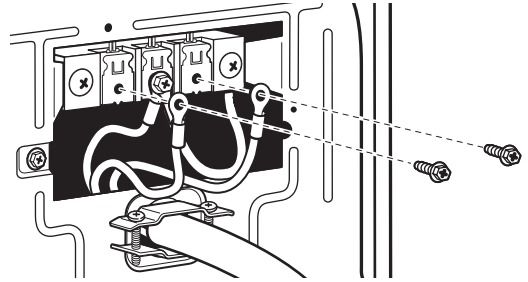
1. Quite el tornillo del bloque de terminal central. Saque también el hilo neutro de puesta a tierra quitando el tornillo conductor de tierra externo.



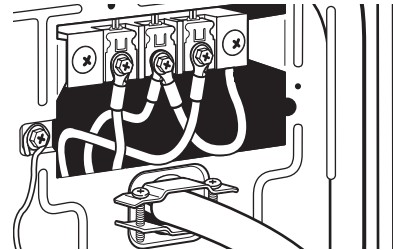
2. Conecte el hilo neutro y el hilo neutro del cable de suministro de energía al bloque de terminal central.



3. Conecte los hilos restantes al bloque de terminal del extremo.



4. Conecte un hilo de tierra de cobre separado desde el conductor a tierra externo a tierra adecuada.



NIVELACIÓN

Nivelación de la lavadora/secadora apiladas

El nivelar adecuadamente su lavadora/secadora reduce el ruido y la vibración en exceso.

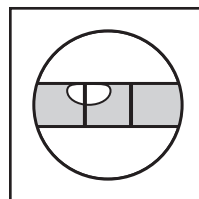
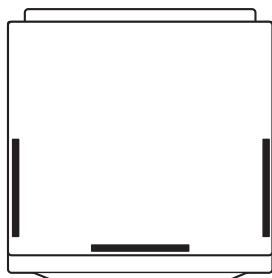
⚠ ADVERTENCIA

Peligro de Peso Excesivo

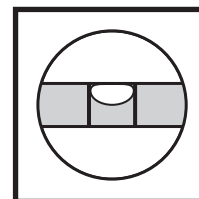
Use dos o más personas para mover e instalar la lavadora/secadora.

No seguir esta instrucción puede ocasionar una lesión en la espalda u otro tipo de lesiones.

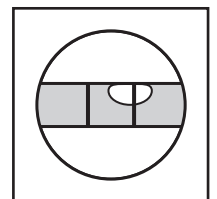
1. Retire el cartón que está debajo de la lavadora/secadora. Coloque un nivel en los bordes superiores de la lavadora/secadora, revisando cada lado y el frente. Si la lavadora/secadora no está nivelada, inclínala y ajuste las patas hacia arriba o hacia abajo, como se muestra en los pasos 3 y 4, repitiendo si es necesario.



No está nivelada



NIVELADA

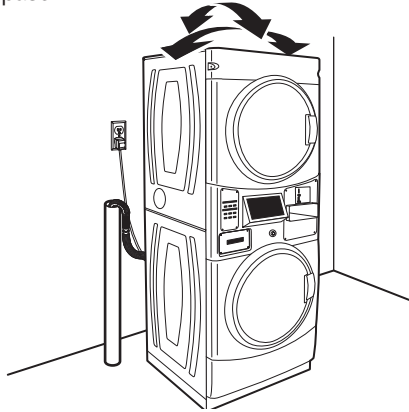


No está nivelada

NIVELACIÓN

Nivelación de la lavadora/secadora apiladas (continuación)

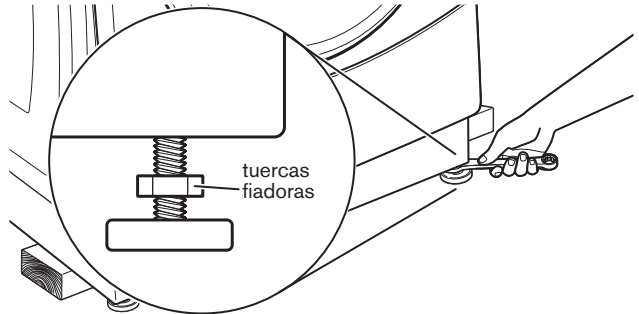
2. Sujete la lavadora/secadora de la parte superior y balancéela de atrás hacia delante, asegurándose de que las 4 patas estén firmes en el piso. Repítalo, balanceando la lavadora/secadora de un lado al otro. Si se balancea la lavadora/secadora, vaya al paso 3 y regule las patas niveladoras. Si las cuatro patas hacen contacto firme con el piso, vaya al paso 4.



3. Si la lavadora/secadora no está nivelada, use una llave de boca o una llave ajustable de 9/16" ó 14 mm para girar las tuercas fiadoras hacia la derecha (como se muestra arriba) en las patas, hasta que estén a aproximadamente 1/2" (13 mm) de la carcasa de la lavadora/secadora. Luego gire la pata niveladora hacia la izquierda para bajar la

lavadora/secadora, o hacia la derecha para levantarla. Vuelva a verificar la nivelación de la lavadora/secadora y que las cuatro patas estén en contacto firme con el piso. Repita el procedimiento si es necesario.

CONSEJO ÚTIL: Puede apuntalar el frente de la lavadora/secadora aproximadamente 4" (102 mm) con un bloque de madera o un objeto similar que vaya a soportar el peso de la lavadora/secadora.



4. Una vez que la lavadora/secadora esté nivelada y que las cuatro patas hagan contacto firme con el piso, use una llave de boca de 9/16" o 14 mm, o bien una llave ajustable, para girar las tuercas fiadoras en las patas niveladoras hacia la izquierda (como se muestra arriba), y apretarlas con firmeza contra la carcasa de la lavadora/secadora.

CONSEJO ÚTIL: Puede apuntalar la lavadora/secadora con un bloque de madera.

Complete la instalación

1. Revise los requisitos eléctricos. Asegúrese de contar con la fuente de electricidad correcta y el método recomendado de conexión a tierra. Vea "Requisitos eléctricos".
2. Verifique que todas las piezas estén ahora instaladas. Si hay una pieza extra, repita los pasos.
3. Verifique que tenga todas las herramientas.
4. Deshágase de todos los materiales de embalaje o recíclelos.
5. Verifique que los grifos de agua estén abiertos.
6. Verifique si hay fugas alrededor de los grifos y de las mangueras de entrada.

8. Para probar y limpiar su lavadora, mida 1/2 de la cantidad de detergente de alto rendimiento (HE) recomendada por el fabricante para una carga mediana. Vierta el detergente en el depósito del detergente. Seleccione cualquier ciclo y permita que la lavadora termine un ciclo completo.
9. Verifique el funcionamiento de la secadora. Seleccione un ciclo completo con calor y deje que la secadora funcione durante cinco minutos por lo menos. La secadora se detendrá cuando se haya terminado el tiempo.

NOTA: La puerta de la secadora debe cerrarse para que la misma funcione. Cuando se abre la puerta, la secadora se detiene pero el temporizador continúa funcionando. Para volver a poner en marcha la secadora, cierre la puerta y presione el botón del ciclo.

Si el quemador no se enciende y no siente calor dentro de la secadora, apáguela por 5 minutos. Revise que todos los controles de la válvula de suministro estén en la posición de "Encendido" (ON), y que el cable de suministro de energía esté enchufado. Repita la prueba de 5 minutos.

⚠ ADVERTENCIA



Peligro de Choque Eléctrico

Conecte a un contacto de pared de conexión a tierra de 3 terminales.

No quite la terminal de conexión a tierra.

No use un adaptador.

No use un cable eléctrico de extensión.

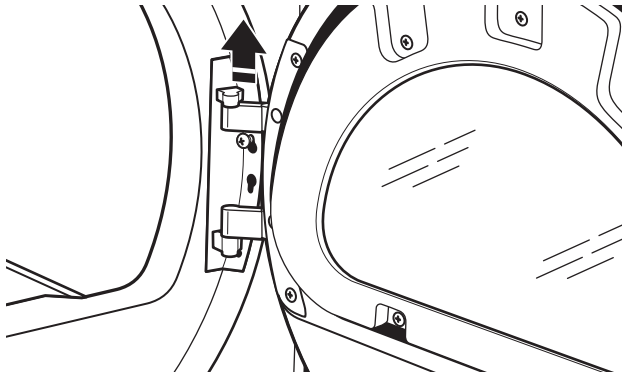
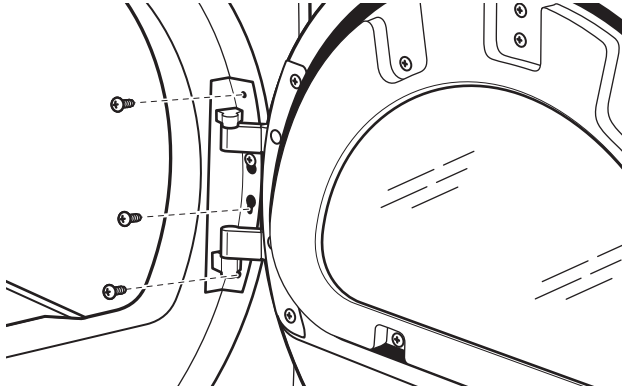
No seguir estas instrucciones puede ocasionar la muerte, incendio o choque eléctrico.

7. Enchufe en un contacto con conexión a tierra o conecte el suministro de energía.

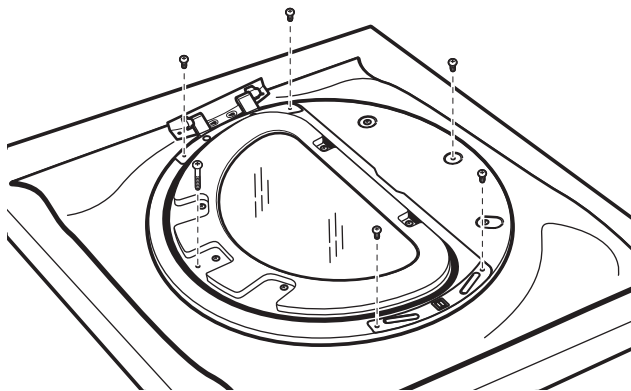
CÓMO INVERTIR EL CIERRE DE LA PUERTA DE LA SECADORA (OPCIONAL)

Cómo quitar el ensamblaje de la puerta

1. Coloque una toalla o un paño suave en la parte superior de la secadora o de la superficie de trabajo, para evitar rayar la superficie.
2. Quite tres de los cuatro tornillos que sostienen la bisagra de la puerta en el panel frontal de la secadora. Afloje parcialmente el tornillo restante con orificio de bocallave y levante la puerta del tornillo para separarla.

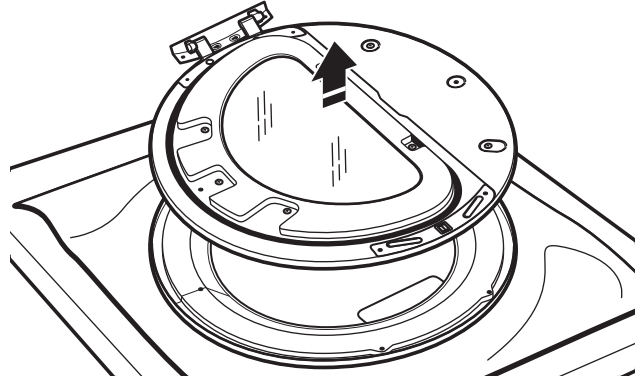


3. Coloque el ensamblaje de la puerta horizontalmente sobre una superficie plana que se haya preparado anteriormente, con el lado interior (el ensamblaje de la puerta interior) mirando hacia arriba, y quite los seis tornillos de cabeza Phillips para separar el ensamblaje de la puerta exterior del ensamblaje de la puerta interior.

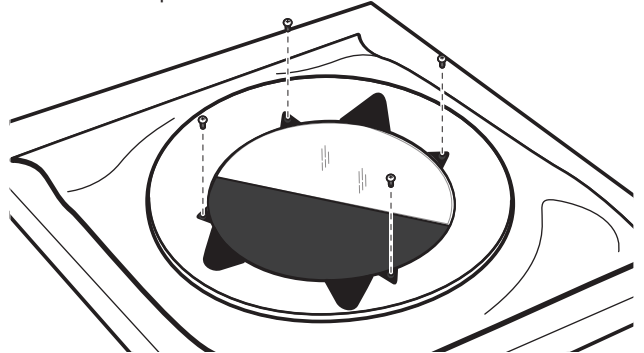


NOTA: Es importante que quite solamente los seis tornillos indicados.

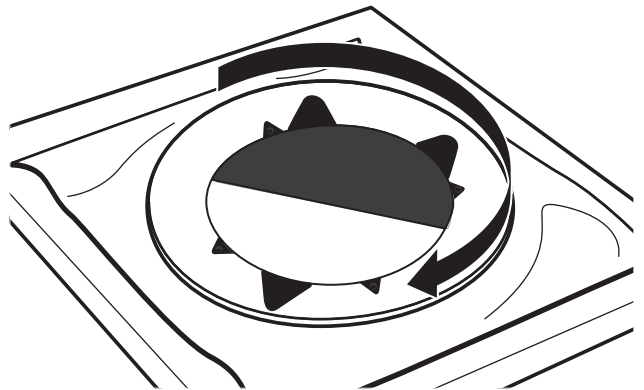
4. Levante el ensamblaje de la puerta interior y sepárelo del ensamblaje de la puerta exterior.



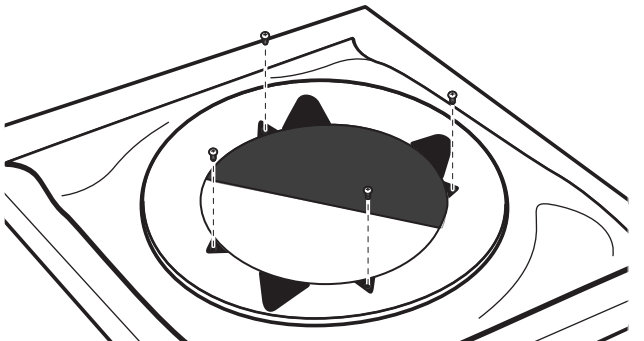
5. Quite los cuatro tornillos Phillips para liberar el inserto central del anillo de la puerta exterior.



6. Levante y gírelo el inserto central 180°.



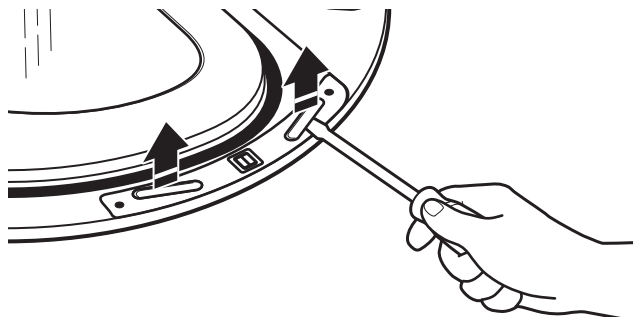
7. Vuelva a ensamblar el inserto central y el anillo de la puerta exterior con los cuatro tornillos.



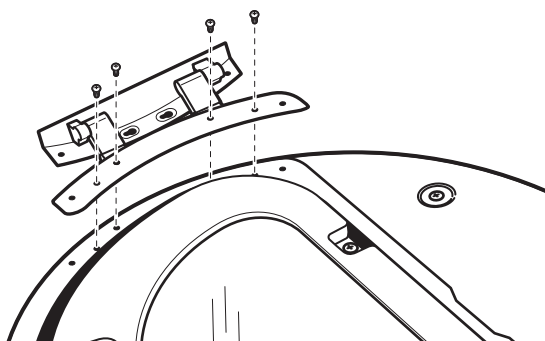
CÓMO INVERTIR EL CIERRE DE LA PUERTA DE LA SECADORA (OPCIONAL)

Invierta la bisagra

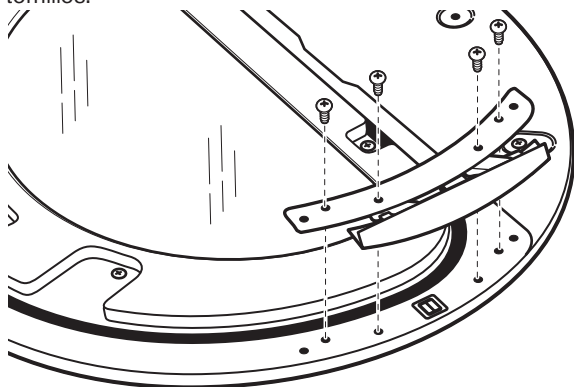
1. Use un destornillador de hoja plana pequeño para quitar los 2 tapones largos de la puerta interior. Deslice la hoja del destornillador debajo de los tapones, sin rayar la superficie de la puerta interior, y levante el tapón.



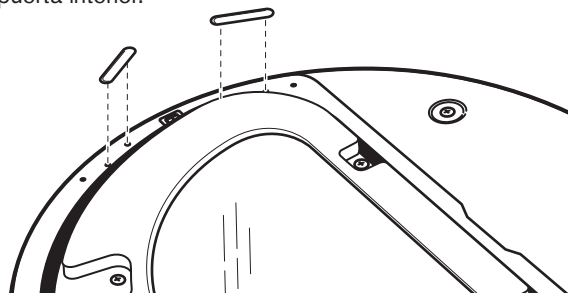
2. Quite los cuatro tornillos que sujetan la puerta interior a la bisagra.



3. Mueva la bisagra al otro lado. Vuelva a instalar los cuatro tornillos.



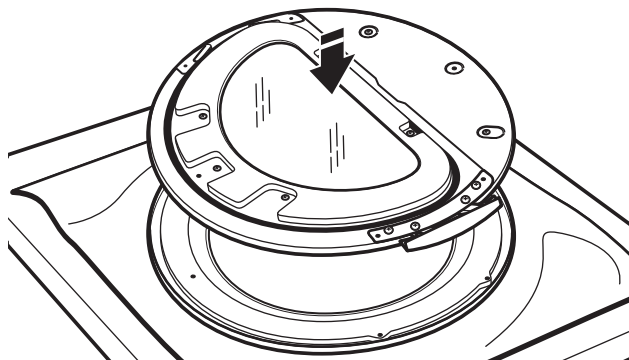
4. Reinstale las cintas de los tapones en el lado opuesto de la puerta interior.



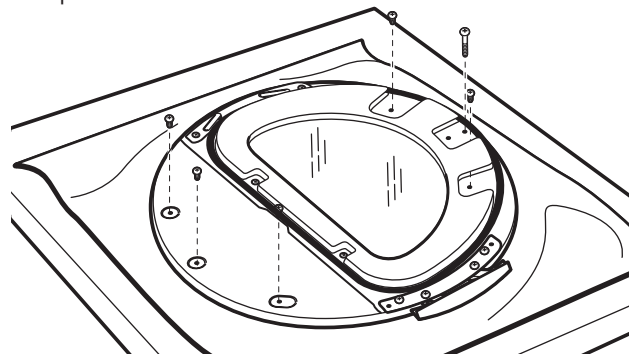
5. Fijese si hay huellas digitales en el vidrio. Limpie si es necesario.

Vuelva a colocar el ensamblaje de la puerta

1. Coloque el ensamblaje interior de la puerta dentro del ensamblaje exterior de la puerta.

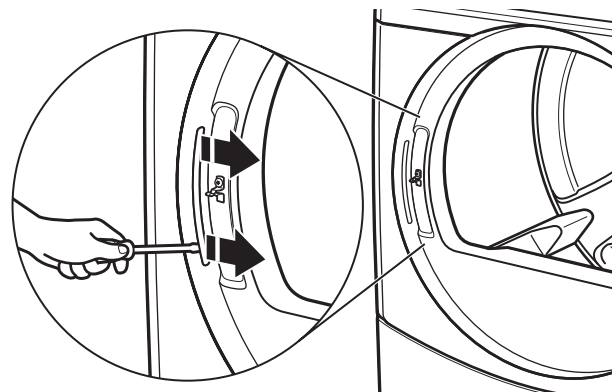


2. Vuelva a colocar los ensamblajes interior y exterior de la puerta con los 6 tornillos.

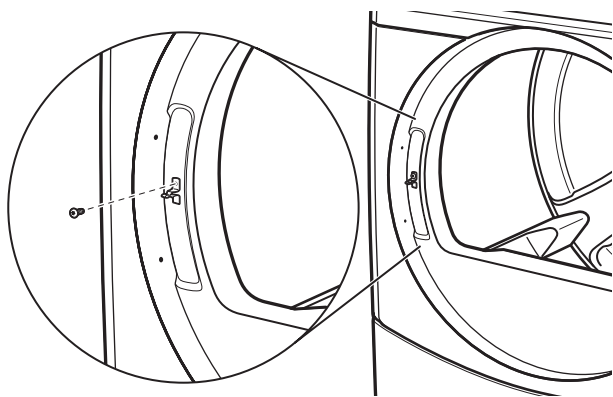


Cómo invertir el tope

1. Use un destornillador de hoja plana pequeño para quitar la cinta del tapón de la abertura de la puerta de la secadora. Deslice la hoja del destornillador debajo de los tapones, sin rayar la superficie de la secadora, y levante el tapón.



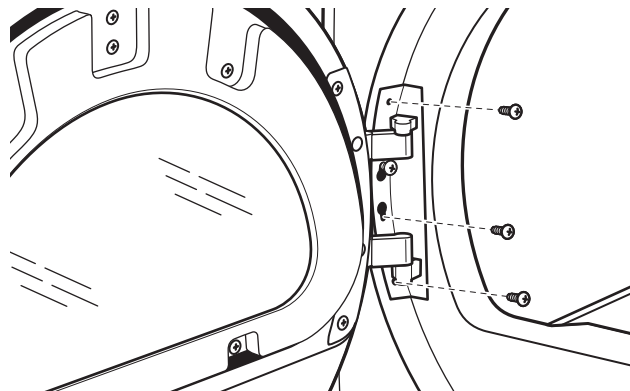
2. Quite el tope con un destornillador Phillips.



3. Inserte el tope en el lado opuesto.

Vuelva a instalar la puerta

1. Inserte parcialmente el segundo tornillo desde la parte superior; luego deslice la bisagra sobre este tornillo mientras engancha la bisagra en el orificio frontal del panel. Vuelva a sujetar la puerta al panel frontal de la secadora con los 3 tornillos restantes.



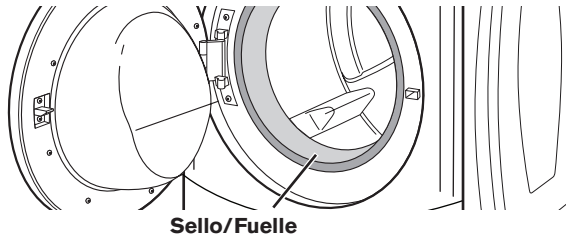
2. Fijese si hay huellas digitales en el vidrio. Limpie si es necesario.
3. Cierre la puerta y compruebe que se cierra con seguridad.

INSTRUCCIONES DE MANTENIMIENTO DE LA LAVADORA/ SECADORA APILADAS

Lavadora

Limpieza del sello/fuelle de la puerta

1. Abra la puerta de la lavadora y quite cualquier prenda o artículo que estuviera dentro de la misma.
2. Inspeccione la puerta interior de vidrio. Si hay desechos en ésta, límpiela con un paño húmedo.
3. Inspeccione el sello/fuelle de color que se encuentra entre la abertura de la puerta y la canasta para detectar si hay áreas manchadas. Empuje el sello/fuelle hacia atrás para inspeccionar todas las áreas debajo del sello/fuelle y controle si hay objetos extraños.



4. Si encuentra áreas manchadas, limpie estas áreas del sello/fuelle:
 - a) Mezcle una solución diluida utilizando 3/4 taza (177 mL) de blanqueador líquido con cloro y 1 gal. (3,8 L) de agua tibia del grifo.
 - b) Limpie el área del sello/fuelle con la solución diluida y un paño húmedo.
 - c) Déjelas reposar durante 5 minutos.
 - d) Limpie el área meticulosamente con un paño seco y deje que el interior de la lavadora se seque al aire con la puerta abierta.

IMPORTANTE:

- Use guantes de goma cuando limpie por períodos prolongados.
- Vea las instrucciones de uso adecuado provistas por el fabricante del blanqueador.

Instrucciones de mantenimiento:

Esta lavadora tiene un ciclo especial que utiliza mayores volúmenes de agua junto con blanqueador líquido con cloro para limpiar meticulosamente el interior de su lavadora.

NOTAS:

- Lea estas instrucciones completamente antes de comenzar el proceso de limpieza.
- Si fuera necesario, el ciclo de limpieza puede ser interrumpido presionando dos veces el botón START (inicio). Sin embargo, el ciclo no se detendrá inmediatamente. La lavadora continuará con varios pasos de enjuague y desagüe para asegurar que se haya enjuagado todo el blanqueador de la lavadora.

Para limpiar el interior de la lavadora:

1. Abra la puerta de la lavadora y quite cualquier prenda o artículo que estuviera dentro de la misma.
2. Use blanqueador líquido con cloro:
Abra el cajón del depósito y agregue inmediatamente 2/3 de taza (160 mL) de blanqueador líquido con cloro en el compartimiento del blanqueador.
NOTA: No agregue nada de detergente. Si usa más de 2/3 de taza (160 mL) de blanqueador, el producto se dañará con el tiempo.
3. Cierre la puerta de la lavadora y la gaveta del depósito.
4. Para poner a funcionar el ciclo de Limpiar la lavadora (Washer Cleanout), primero ingrese al "Modo de servicio". A continuación, presione y sostenga el botón DELICATES (Ropa delicada) por 2 segundos. Presione el botón EXTRA RINSE (Enjuague adicional) hasta que aparezca P-08; después, presione el botón START (Inicio) para iniciar el ciclo. Para salir del modo de servicio y activar el ciclo de limpiar la lavadora, presione el botón de DELICATES (Ropa delicada) y luego gire la llave.
NOTA: La puerta de desbloqueará, la canasta dará 1/2 giro y luego la puerta de desbloqueará, se bloqueará nuevamente y el ciclo de Limpiar la lavadora (Washer Cleanout) continuará. La lavadora no se llenará, pero la canasta rotará mientras la lavadora hace un ciclo corto de detección. Esto tardará aproximadamente 3 minutos.
5. El ciclo determinará si hay ropa u otros artículos en la lavadora.
 - a) Si no se detectan artículos en la lavadora, ésta procederá al paso 7.
 - b) Si se detecta algún artículo en la lavadora, la pantalla mostrará "F-34". La puerta se desbloqueará entonces.
 - Ingrese al modo de servicio y luego presione y sostenga el botón START (inicio) para anular el código de falla. Después repita los pasos 1, 3 y 4 para comenzar nuevamente el ciclo.
6. Una vez que haya comenzado el ciclo, deje que éste finalice.
7. Una vez que haya finalizado el ciclo, deje la puerta levemente abierta para que haya una mejor ventilación y secado del interior de la lavadora.

INSTRUCCIONES DE MANTENIMIENTO DE LA LAVADORA/ SECADORA APILADAS

Lavadora

Siempre haga lo siguiente para mantener la frescura de la lavadora:

- Use solamente un detergente de alto rendimiento (HE).
- Deje la puerta levemente abierta después de cada ciclo para permitir una mejor ventilación y secado del interior de la lavadora.
- Limpie la lavadora cada mes usando el Procedimiento de mantenimiento para la lavadora, usando 2/3 taza (160 mL) de blanqueador líquido con cloro.
- Si el procedimiento no mejora suficientemente la frescura de la lavadora, sírvase evaluar su instalación y las condiciones de uso para detectar otras causas.

Limpieza externa

Use un paño suave y húmedo o una esponja para limpiar cualquier derrame. De vez en cuando, limpie el exterior de su lavadora para que se vea como nueva. Use jabón suave y agua. No use productos abrasivos.

Limpieza del cajón del depósito

El cajón del depósito es desmontable para facilitar la limpieza.

1. Inserte un destornillador de hoja plana en el dispositivo para desenganchar el seguro y desbloquee el cajón del depósito para quitarlo. Quite el cajón del depósito.
2. Quite los insertos (el sifón de los compartimientos del suavizante y del blanqueador).
3. Lave las piezas en el agua del grifo.

NOTA: No lave los componentes en la lavavajillas.

4. Vuelva a colocar los insertos y coloque nuevamente el depósito en el cajón.

Mangueras de entrada de agua

Reemplace las mangueras de entrada después de 5 años de uso para reducir el riesgo de que fallen. Inspeccione periódicamente y cambie las mangueras si se hallan protuberancias, torceduras, cortes, desgaste o pérdidas de agua.

Cuando reemplace las mangueras de entrada del agua, anote la fecha de reposición.

Secadora

Instrucciones de mantenimiento:

- Limpie el filtro de pelusa antes y después de cada ciclo.
- Cómo quitar la pelusa acumulada:

En el interior de la carcasa de la secadora:

Según el uso de la secadora, se debe quitar la pelusa cada 2 años, o con más frecuencia. La limpieza deberá efectuarla una persona calificada.

En el ducto de escape:

Según el uso de la secadora, se debe quitar la pelusa cada 2 años o con más frecuencia.

- Mantenga el área alrededor de la secadora limpia y libre de materiales combustibles, gasolina y otros vapores y líquidos inflamables.
- Mantenga el área donde está la secadora despejada y libre de artículos que pudieran obstruir el flujo de aire para la combustión y la ventilación.

Si la secadora no funciona, revise lo siguiente:

- Que el suministro eléctrico esté conectado.
- Que el cortacircuitos no se disparó o el fusible de la casa no está quemado.
- Que la puerta esté cerrada. Escuche detenidamente para oír cuando se active el interruptor de la puerta.
- Que se haya presionado con firmeza el botón de selección de ciclos.
- Para las secadoras a gas, revise que las válvulas de cierre del suministro de gas estén en la posición abierta.

SI NECESITA AYUDA

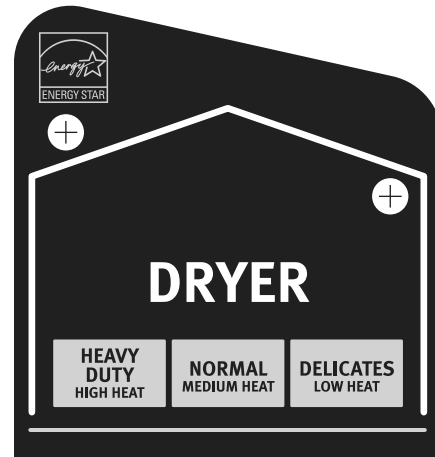
Póngase en contacto con su distribuidor autorizado de lavandería comercial de Maytag®. Para ubicar a su distribuidor autorizado de aparatos de lavandería comercial de Maytag®, o para solicitar información por internet, visite www.MaytagCommercialLaundry.com.

Cuando llame, usted necesitará tener a mano los números del modelo y de serie de la lavadora/secadora. Ambos números se encuentran en la placa de clasificación de serie que está ubicada en la cavidad de la puerta de la secadora.

INSTRUCCIONES DE PROGRAMACIÓN DEL CONTROL ELECTRÓNICO



Control de la lavadora



Control de la secadora

NOTA: Después de haber instalado y enchufado la lavadora/secadora, se mostrará "0 MINUTES" (0 Minutos) en las partes de la pantalla para la lavadora y la secadora. Después de que se hayan abierto y cerrado las puertas de la lavadora y de la secadora, la pantalla mostrará el precio para cada máquina. En las lavadoras/secadoras que se hayan programado para dar ciclos gratuitos, destellará "SELECT CYCLE" (Seleccionar ciclo) en las secciones de la pantalla.

1. **Modelos PD:** Inserte monedas hasta que destelle "SELECT CYCLE" (Seleccionar ciclo) en la parte de la pantalla de la lavadora o secadora que se va a poner a funcionar.

Modelos PR: Se necesita una tarjeta de cobro automático en lugar de monedas. Pueden usarse los sistemas de tarjeta de pago automático de generación 1 y 2. Sin embargo, cuando el sistema de tarjeta de pago automático de generación 2 es utilizado, los controles se fijarán automáticamente en el modo Mejorado para tarjetas de pago automático (J. Ed.). En el modo de Débito mejorado (Enhanced Debit), el saldo de la tarjeta se mostrará en la pantalla cuando ésta se inserte en el lector.

2. La puerta de la lavadora/secadora que se va a usar debe cerrarse antes de hacer la selección de ciclo.
3. Presione el botón del ajuste de tela para el ciclo deseado de la lavadora/secadora. Después de que ha comenzado el ciclo, el tiempo aparecerá en la pantalla e iniciará la cuenta regresiva.
4. Si se interrumpe un ciclo al abrir la puerta o debido a un corte de corriente, destellará en la pantalla "RESELECT CYCLE" (Vuelva a seleccionar el ciclo). Para reiniciar la lavadora/secadora, cierre la puerta y vuelva a seleccionar el ciclo deseado.

NOTA: Cuando la secadora se haya programado para otorgar ciclos gratuitos, un ciclo continuo de la secadora se anulará si se abre la puerta.

Información general sobre la lavadora/secadora

SE MUESTRA UN MENSAJE DE "OUT OF ORDER" (FUERA DE SERVICIO), SEGUIDO POR UN CÓDIGO DE FALLA O DE DIAGNÓSTICO, EN LA PANTALLA: Esta condición indica que la lavadora o la secadora no puede funcionar. Los códigos de diagnóstico que se muestran en la parte superior de la pantalla pertenecen a la sección de la secadora y los códigos de diagnóstico que se muestran en la parte inferior de la pantalla corresponden a la sección de la lavadora. Los códigos de diagnóstico que se muestran en ambas secciones de la pantalla corresponden al sistema de control de la lavadora y de la secadora.

SE MUESTRA "0 MINUTES" (0 MINUTOS) EN LA PANTALLA: Esto indica que se ha completado el ciclo y que la lavadora/secadora no se puede operar. Las monedas que se hayan puesto o los ingresos de tarjeta de pago automático permanecerán en el depósito, pero no se pueden utilizar hasta que se abra y se cierre la puerta, lo cual reanuda el funcionamiento normal. Si un interruptor de puerta ha fallado y por esto permanece "0 MINUTOS" (0 MINUTOS) en la pantalla después de que se haya abierto y cerrado la puerta, el interruptor debe reemplazarse antes de que se pueda continuar con el funcionamiento normal.

INICIO EN FRÍO (La primera vez que se use) –

La lavadora/secadora se ha programado de fábrica de la manera siguiente:

Lavadora	Período de lavado de 11 minutos
	Precio de lavado de \$1,75 (modelos PD)
	Precio de lavado de \$0,00 (modelos PR)
	3 enjuagues (no está activado el enjuague adicional)
Secadora	5 minutos por cada moneda de 25 centavos para los modelos PD
	45 minutos de secado para los modelos PR
	Precio de secado de \$1,50 (ciclo fijo con tiempo adicional – modelos PD)
	Precio de secado de \$0,00 (ciclo fijo – modelos PR)

INSTRUCCIONES DE PROGRAMACIÓN DEL CONTROL ELECTRÓNICO

INICIO CON AGUA TIBIA (después de un corte de corriente) – Unos segundos después de que se reestablezca la electricidad, si un ciclo se encontraba funcionando cuando ocurrió el corte de corriente, destellará “RESELECT CYCLE” (Vuelva a seleccionar el ciclo), lo cual indica que se necesita presionar un botón para que la lavadora o la secadora vuelva a funcionar.

BLOQUEO DE LA PUERTA DE LA LAVADORA – Antes de que comience un ciclo, se realiza una rutina de bloqueo/desbloqueo/bloqueo del seguro de la puerta y después se pone en marcha el ciclo. La puerta permanecerá con seguro hasta el fin de un ciclo o aproximadamente por 2 minutos después de un corte de corriente.

PRECIOS – Después de que se ha abierto y cerrado la puerta siguiendo la finalización de un ciclo, la pantalla indica el precio del ciclo (a menos que se haya programado para un funcionamiento gratuito, en cuyo caso se mostrará “SELECT CYCLE” [Seleccionar ciclo]). A medida que se ponen las monedas o se reciben los pagos con tarjeta de pago automático, la pantalla cambiará para guiar al usuario en el inicio de un ciclo.

Hay cuatro (4) tipos de precios para la secadora:

Precio fijo de “venta”

Una secadora que está programada para el funcionamiento de un “Ciclo fijo” solamente puede aceptar tiempo adicional que se haya acumulado en incrementos que sean igual a la duración de un ciclo de secado completo. Se puede comprar un máximo de 99 minutos y no se da crédito adicional por monedas adicionales una vez que aparece 99 minutos en la pantalla.

Precio del acumulador

Si el precio se ha fijado a una moneda 1, el precio del acumulador entra en efecto. El tiempo del ciclo se puede comprar con una moneda a la vez (modelos PD), hasta un tiempo máximo de 99 minutos.

Ciclo fijo con precio por tiempo adicional

Una secadora que esté programada con la habilidad de “Tiempo adicional”, permitirá que se agregue tiempo a un ciclo de secado existente, en incrementos que sean igual al número de minutos de secado por una moneda de 25 centavos (moneda 1), hasta 99 minutos, sin importar el costo requerido para poner la secadora en marcha. No se da crédito por monedas o tarjeta de pago automático cuando el control muestre 99 minutos en la pantalla.

Modelos PR: En el modo mejorado de tarjeta de pago automático, el precio por tiempo adicional se puede fijar de manera independiente (consulte VALOR DE MONEDA 2), y el tiempo adicional se calcula según la siguiente ecuación:

$$\text{Tiempo otorgado por compra de tiempo adicional} = \frac{\text{precio de compra de tiempo adicional}}{\text{precio completo por ciclo}} \times \text{duración de ciclo completo}$$

Los incrementos con centavos no están permitidos en las compras de tiempo adicional.

CICLOS GRATUITOS – Esta opción se fija programando el precio en cero. Cuando esto ocurre, aparecerá “SELECT CYCLE” (Seleccionar ciclo) en lugar del precio del ciclo. Cualquier ciclo que haya comenzado como un ciclo gratuito se terminará automáticamente cuando se abra la puerta.

LISTA PARA TARJETA DE PAGO AUTOMÁTICO –

La lavadora/secadora está lista para las tarjetas de pago automático. Aceptará una variedad de sistemas de tarjeta de pago automático, pero NO se entrega con un lector de tarjeta de pago automático. Consulte al fabricante de lectores de tarjeta de pago automático para obtener información sobre la preparación adecuada de la lavadora/secadora. Para los modelos que han sido convertidos para el sistema de tarjeta de pago automático de generación 1, cada señal de la tarjeta es equivalente a una moneda (moneda 1).

Procedimientos de programación del control

IMPORTANTE: Lea todas las instrucciones antes de usarla.

Modelos PD/PR: Inserte la llave del interruptor de servicio y gírela hacia la izquierda.

Modelos PR: Una vez que se haya instalado el lector de tarjeta de pago automático de generación 2 (según las instrucciones del fabricante del lector), se pueden cambiar los modos de programación solamente insertando la tarjeta de programación (provista por el fabricante del lector) en la ranura para tarjeta. Si inserta y gira la llave del interruptor de servicio, solamente obtendrá acceso al modo de servicio.

La lavadora/secadora se encuentra ahora en el modo de programación. Los botones inferiores de selección de telas y la sección inferior de la pantalla se usan para programar el control digital de la lavadora. Los tres botones superiores de selección de telas y la sección superior de la pantalla se usan para programar los controles de la secadora.

La pantalla puede incluir cuatro números y/o letras y un punto decimal en ambas secciones de la misma. Éstos se usan para indicar los códigos de la programación y los valores de los códigos relacionados, disponibles para el uso de la programación de la lavadora/secadora.

Cómo utilizar los botones para programar los controles

Lavadora:

1. La tecla POWER WASH (Lavado intenso) superior izquierda se utiliza para ajustar los valores asociados con los códigos de programación. Al presionar la tecla, el valor aumentará. Para hacer ajustes rápidos, mantenga presionada la tecla.
2. La tecla TEMPERATURE (Temperatura) inferior izquierda se utiliza para ajustar los valores asociados con los códigos de programación. Al presionar la tecla, el valor disminuirá. Para hacer ajustes rápidos, mantenga presionada la tecla.
3. La tecla EXTRA RINSE (Enjuague adicional) inferior media le permitirá avanzar a través de los códigos de programación. Al presionar la tecla, se avanza al siguiente código de programación disponible. Al mantener presionada la tecla, se avanza automáticamente a través de los códigos de programación a una velocidad de 1 por segundo.
4. La tecla DELICATES (Ropa delicada) superior derecha se usa para seleccionar o quitar opciones.

Secadora:

1. La tecla HEAVY DUTY (Intenso) izquierda se utiliza para ajustar los valores asociados con los códigos de programación. Al presionar la tecla, el valor aumentará. Para hacer ajustes rápidos, mantenga presionada la tecla.
2. La tecla DELICATES (Ropa delicada) derecha se usa para seleccionar o quitar opciones.

INSTRUCCIONES DE PROGRAMACIÓN DEL CONTROL ELECTRÓNICO

Paramétrage en début d'exploitation

Les laveuses/sécheuses sont préréglées en usine et ne nécessitent aucune programmation. Cependant, pour modifier les paramètres, suivre le guide des "Codes de paramétrage".

Le code au début de chaque segment est le paramètre par défaut défini en usine pour les modèles PD et est identique pour les modèles PR, sauf indication contraire.

Le code de paramétrage est indiqué par un ou deux caractères à gauche. La valeur du code de paramétrage est indiquée par deux ou trois caractères à droite.

Códigos de programación	
Código	Explicación
6 06	CICLO DE PRECIO COMÚN (SECADORA)
6 06	Representa el número de moneda 1 necesarias para poner en marcha la secadora; se puede ajustar de 0 a 200 (vea la programación b.05 para valor de moneda 1). Avance de 0 a 200 al presionar HEAVY DUTY. (Carga pesada). Valor predeterminado de fábrica de 6 monedas de 25 centavos = \$1,50.
6 00	Solo modelos PR: Valor predeterminado de fábrica de 6 00 o 0 monedas de 25 centavos.
PRECIO DE VENTA DEL CICLO (LAVADORA)	
6 07 NORMAL (Normal)	Precio de venta del ciclo común NORMAL (Normal)— Representa el número de monedas 1 que se requiere para iniciar la lavadora. Para aumentar de 0 a 200, presione la tecla POWERWASH (Lavado intenso) y para disminuir, presione la tecla TEMPERATURE (Temperatura). Prefijado de fábrica para 7 monedas = \$1,75.
6 00 NORMAL	Solo modelos PR: Valor predeterminado de fábrica de 6 00 o 0 monedas de 25 centavos.
6 07 DELICATE (Ropa delicada)	Precio de venta del ciclo común DELICATES (Ropa delicada)— Representa el número de monedas 1 que se requiere para iniciar la lavadora. Para aumentar de 0 a 200, presione la tecla POWERWASH (Lavado intenso) y para disminuir, presione la tecla TEMPERATURE (Temperatura). Prefijado de fábrica para 7 monedas = \$1,75.
6 00 DELICATE (Ropa delicada)	Solo modelos PR: Valor predeterminado de fábrica de 6 00 o 0 monedas de 25 centavos.
6 07 POWERWASH (Lavado intenso)	Precio de venta del ciclo común POWERWASH (Lavado intenso)— Representa el número de monedas 1 que se requiere para iniciar la lavadora. Para aumentar de 0 a 200, presione la tecla POWERWASH (Lavado intenso) y para disminuir, presione la tecla TEMPERATURE (Temperatura). Prefijado de fábrica para 7 monedas = \$1,75.
6 00 POWERWASH (Lavado intenso)	Solo modelos PR: Valor predeterminado de fábrica de 6 00 o 0 monedas de 25 centavos.
→	Presione la tecla EXTRA RINSE (Enjuague adicional) una vez para avanzar al siguiente código.

7 05	TIEMPO DE SECADO NORMAL (SECADORA)
7 05	Modelos PD: Representa el número de minutos por cada moneda de 25 centavos (moneda 1). Predeterminado de fábrica en 5 minutos por moneda. Ejemplo: 6 monedas de 25 centavos x 5 minutos = 30 minutos. Al presionar la tecla HEAVY DUTY (Carga pesada), el valor se ajusta de 1 a 99 minutos.
7 45	Modelos PR: Representa la duración del ciclo para los ciclos gratuitos. Ejemplo: "7 45" = 45 minutos.
7 11	DURACIÓN DEL LAVADO (LAVADORA)
7 11	Este es el número de minutos para el lavado. La lavadora sale de fábrica previamente ajustada con 11 minutos. Seleccione de 9 a 17 minutos al presionar la tecla POWERWASH (Lavado intenso) y para disminuir, presione la tecla TEMPERATURE (Temperatura). → Presione la tecla EXTRA RINSE (Enjuague adicional) una vez para avanzar al siguiente código.
8 00	TIPO DE PRECIOS DE SECADORA (SECADORA)
8 00	Ciclo fijo con tiempo adicional. Para ver una descripción detallada, vea Información general para el usuario.
8 FC	Solo modelos PR: Ajuste de fábrica de FC (Precio fijo). Ciclo fijo. Para ver una descripción detallada, vea Información general para el usuario. Use la tecla DELICATES (Ropa delicada) para hacer esta selección.
8 00	ENJUAGUE ADICIONAL OPCIONAL/ SALIR DEL MODO DE SERVICIO (LAVADORA) Nota: esto afecta únicamente los ciclos NORMAL y DELICATES (Ropa delicada). Con POWERWASH (Lavado intenso), el enjuague adicional está siempre activado.
8 00	Additional Rinse Not Selected Off (Enjuague adicional no seleccionado apagado). Use este campo para salir del modo de servicio cuando se ingresó con la tecla. Mantenga presionada la tecla TEMPERATURE (temperatura) para salir del modo de servicio.
8 AR	Additional Rinse Selected, On (Enjuague adicional seleccionado, encendido). Presione la tecla DELICATES (Ropa delicada) para cambiar los ajustes entre 00 y AR. Use este campo para salir del modo de servicio cuando se ingresó con la tecla. Mantenga presionada la tecla TEMPERATURE (temperatura) para salir del modo de servicio. → Presione la tecla EXTRA RINSE (Enjuague adicional) una vez para avanzar al siguiente código.

INSTRUCCIONES DE PROGRAMACIÓN DEL CONTROL ELECTRÓNICO

9 00	OPCIÓN DE CONTADOR DE CICLO (LAVADORA) Esta opción está seleccionada en On (Encendido) o no seleccionada en Off (Apagado).
9 00	No seleccionada en Off (Apagado)
9 0C	Seleccionada en On (Encendido) y no se puede anular. Presione la tecla DELICATES (Ropa delicada) 3 veces consecutivas para seleccionar On (Encendido). Cuando esté seleccionado On (Encendido), no se puede anular. → Presione la tecla EXTRA RINSE (Enjuague adicional) una vez para avanzar al siguiente código.
1.00	OPCIÓN DE CONTADOR DE DINERO (LAVADORA) Esta opción está seleccionada en On (Encendido) o no seleccionada en Off (Apagado)
1.00	No seleccionada, en Off (Apagado)
1.0C	Seleccionada en On (Encendido). Presione la tecla DELICATES (Ropa delicada) 3 veces consecutivas para seleccionar On (Encendido) y 3 veces consecutivas para anularla (no seleccionada, Off [Apagado]). El contador se reinicia y pasa de Off (Apagado) a On (Encendido).
1.C0	Seleccionado On (Encendido) y no se puede anular. Para seleccionar On (Encendido) y que no se pueda anular, seleccione primero On (Encendido) y, después, en menos de 2 segundos, presione dos veces DELICATES (Ropa delicada), una vez la tecla POWERWASH (Lavado intenso), y salga del modo de programación. → Presione la tecla EXTRA RINSE (Enjuague adicional) una vez para avanzar al siguiente código.
2.00	OPCIÓN DE PRECIOS ESPECIAL (LAVADORA) Esta opción está seleccionada en On (Encendido) o no seleccionada en Off (Apagado).
2.00	No seleccionada en Off (Apagado).
2.SP	Seleccionada en On (Encendido). Presione la tecla DELICATES (Ropa delicada) una vez para hacer esta selección.
Si se selecciona la opción de precios especiales, tendrá acceso a los códigos "3." a "9". NOTA: Se debe agregar una batería externa para que el reloj siga funcionando durante periodos de corte de electricidad. → Presione la tecla EXTRA RINSE (Enjuague adicional) una vez para avanzar al siguiente código.	

OPCIONES DISPONIBLES SI SE SELECCIONAN PRECIOS ESPECIALES (SECADORA):	
PRECIO ESPECIAL DEL CICLO (SECADORA)	
3 06	Representa el número de monedas de 25 centavos (moneda 1) que se necesitan para poner en marcha la secadora. Se puede ajustar de 0 a 200. (Vea la programación b.05 para valor de moneda 1). Avance de 0 a 200 al presionar HEAVY DUTY. (Carga pesada). Valor predeterminado de fábrica de 6 monedas de 25 centavos = \$1,50.
3.00	Modelos PR: Ajuste de fábrica de 0 monedas de 25 centavos.
OPCIONES DISPONIBLES SI SE SELECCIONAN PRECIOS ESPECIALES:	
3.07 NORMAL (Normal)	Precio de venta del ciclo especial NORMAL (Normal); para aumentar de 0 a 200, presione la tecla POWERWASH (Lavado intenso) y para disminuir, presione la tecla TEMPERATURE (Temperatura). Prefijado de fábrica para 7 monedas = \$1,75.
3 00 NORMAL (Normal)	Solo modelos PR: Valor predeterminado de fábrica de 6 00 o 0 monedas de 25 centavos.
3.07 DELICATES (Ropa delicada)	Precio de venta del ciclo especial DELICATES (Ropa delicada); para aumentar de 0 a 200, presione la tecla POWERWASH (Lavado intenso) y para disminuir, presione la tecla TEMPERATURE (Temperatura). Prefijado de fábrica para 7 monedas = \$1,75.
3 00 DELICATES (Ropa delicada)	Solo modelos PR: Valor predeterminado de fábrica de 6 00 o 0 monedas de 25 centavos.
3.07 POWERWASH (Lavado intenso)	Precio de venta del ciclo común POWERWASH (Lavado intenso); para aumentar de 0 a 200, presione la tecla POWERWASH (Lavado intenso) y para disminuir, presione la tecla TEMPERATURE (Temperatura). Prefijado de fábrica para 7 monedas = \$1,75.
3 00 POWERWASH (Lavado intenso)	Solo modelos PR: Valor predeterminado de fábrica de 6 00 o 0 monedas de 25 centavos.
→ Presione la tecla EXTRA RINSE (Enjuague adicional) una vez para avanzar al siguiente código.	

INSTRUCCIONES DE PROGRAMACIÓN DEL CONTROL ELECTRÓNICO

4.05	TIEMPO DE SECADO ESPECIAL (SECADORA)
4.05	Modelos PD: Representa el número de minutos por cada moneda de 25 centavos (moneda 1). Predeterminado de fábrica en 5 minutos por moneda. Ejemplo: 6 monedas de 25 centavos x 5 minutos = 30 minutos. Al presionar la tecla HEAVY DUTY (Carga pesada), el valor se puede ajustar de 1 a 99 minutos.
4.45	Modelos PR: Representa la duración fija del ciclo en minutos. Ejemplo: "4.45" = 45 minutos. → Presione la tecla EXTRA RINSE (Enjuague adicional) una vez para avanzar al siguiente código.
5.00	RELOJ DE LA HORA DEL DÍA, MINUTOS (LAVADORA)
5.00	Este es el TIME-OF-DAY-CLOCK (Reloj de la hora del día), para ajustar los minutos; seleccione de 0 a 59 minutos presionando la tecla POWERWASH (Lavado intenso). → Presione la tecla EXTRA RINSE (Enjuague adicional) una vez para avanzar al siguiente código.
6.00	RELOJ DE LA HORA DEL DÍA, HORAS (LAVADORA) NOTA: Usa la hora militar, un reloj de 24 horas.
6.00	Este es el TIME-OF-DAY-CLOCK (Reloj de la hora del día); ajuste de la hora: para seleccionar de 0 a 23 horas, presione la tecla POWERWASH (Lavado intenso). → Presione la tecla EXTRA RINSE (Enjuague adicional) una vez para avanzar al siguiente código.
7.00	HORA DE INICIO DEL PRECIO ESPECIAL (LAVADORA) NOTA: Usa la hora militar, un reloj de 24 horas.
7.00	Esta es la hora de inicio; de 0 a 23 horas. Seleccione la START HOUR (Hora de inicio) presionando la tecla POWERWASH (Lavado intenso). → Presione la tecla EXTRA RINSE (Enjuague adicional) una vez para avanzar al siguiente código.
8.00	HORA DE INICIO DE DETENCIÓN DEL PRECIO ESPECIAL (SECADORA) NOTA: Usa la hora militar, un reloj de 24 horas.
8.00	Esta es la hora de detención; de 0 a 23 horas. Para seleccionar la STOP HOUR (Hora de detención), presione la tecla HEAVY DUTY (Carga pesada). → Presione la tecla EXTRA RINSE (Enjuague adicional) una vez para avanzar al siguiente código.

9.10	DÍA DE PRECIO ESPECIAL (LAVADORA)																								
9.10	Esto representa el día de la semana y si se ha seleccionado o no un precio especial para ese día. Un número seguido de "0" indica que no se hizo una selección para ese día en particular (9.1S). Para elegir los días de la semana (1 a 7), presione la tecla POWERWASH (Lavado intenso). Presione una vez la tecla WHITES & COLOR (Ropa blanca y de color) para seleccionar el precio especial para cada día elegido. Cuando salga del código de programación "9.", la pantalla debe mostrar el día de la semana actual: <table border="1"> <thead> <tr> <th>PANTALLA</th> <th>DÍA DE LA SEMANA</th> <th>CÓDIGO (seleccionado)</th> </tr> </thead> <tbody> <tr> <td>10</td> <td>Día 1 = Domingo</td> <td>1S</td> </tr> <tr> <td>20</td> <td>Día 2 = Lunes</td> <td>2S</td> </tr> <tr> <td>30</td> <td>Día 3 = Martes</td> <td>3S</td> </tr> <tr> <td>40</td> <td>Día 4 = Miércoles</td> <td>4S</td> </tr> <tr> <td>50</td> <td>Día 5 = Jueves</td> <td>5S</td> </tr> <tr> <td>60</td> <td>Día 6 = Viernes</td> <td>6S</td> </tr> <tr> <td>70</td> <td>Día 7 = Sábado</td> <td>7S</td> </tr> </tbody> </table> → Presione la tecla EXTRA RINSE (Enjuague adicional) una vez para avanzar al siguiente código.	PANTALLA	DÍA DE LA SEMANA	CÓDIGO (seleccionado)	10	Día 1 = Domingo	1S	20	Día 2 = Lunes	2S	30	Día 3 = Martes	3S	40	Día 4 = Miércoles	4S	50	Día 5 = Jueves	5S	60	Día 6 = Viernes	6S	70	Día 7 = Sábado	7S
PANTALLA	DÍA DE LA SEMANA	CÓDIGO (seleccionado)																							
10	Día 1 = Domingo	1S																							
20	Día 2 = Lunes	2S																							
30	Día 3 = Martes	3S																							
40	Día 4 = Miércoles	4S																							
50	Día 5 = Jueves	5S																							
60	Día 6 = Viernes	6S																							
70	Día 7 = Sábado	7S																							
A.00	OPCIÓN DE VISUALIZACIÓN DE CAJA (LAVADORA) Esta opción está seleccionada en On (Encendido) o no seleccionada en Off (Apagado).																								
A.00	No seleccionada en Off (Apagado).																								
A.5C	Seleccionada en On (Encendido). Presione la tecla DELICATES (Ropa delicada) una vez para hacer esta selección. Cuando se seleccione, se podrán ver los contadores de dinero y/o de ciclos (si se selecciona el contador), cuando se retire la caja de monedas. → Presione la tecla EXTRA RINSE (Enjuague adicional) una vez para avanzar al siguiente código.																								
b.05	VALOR DE LA MONEDA 1 (LAVADORA)																								
b.05	Esto representa el valor de la moneda 1 en el número de monedas de 5 centavos. 05 = \$0,25. Seleccione de 1 a 199 monedas al presionar la tecla POWERWASH (Lavado intenso) y para disminuir, presione la tecla TEMPERATURE (Temperatura). Con la activación del tragamonedas, esto representa el precio de venta total en monedas de 5 centavos. Ejemplo: b.30 = \$1,50 → Presione la tecla EXTRA RINSE (Enjuague adicional) una vez para avanzar al siguiente código.																								

INSTRUCCIONES DE PROGRAMACIÓN DEL CONTROL ELECTRÓNICO

C.20	VALOR DE LA MONEDA 2 (LAVADORA)	J.Cd	OPCIÓN DE MONEDA/DÉBITO (LAVADORA)
C.20	<p>MODELOS PD: Esto representa el valor de la moneda 2 en el número de monedas de 5 centavos. 20 = \$1,00.</p> <p>Seleccione entre 1 y 200 monedas de 5 centavos al presionar la tecla POWERWASH (Lavado intenso) y para disminuir, presione la tecla TEMPERATURE (Temperatura).</p>	J.Cd	Se han seleccionado tanto moneda como el pago con tarjeta de débito.
C.05	<p>Solo modelos PR: Para los modelos que usan débito mejorado, este campo representa el valor del tiempo adicional en monedas de 5 centavos o \$0,25. El valor predeterminado de fábrica es C.05; representa 5 x \$0,05, o \$0,25.</p> <p>→ Presione la tecla EXTRA RINSE (Enjuague adicional) una vez para avanzar al siguiente código.</p>	J.d	Tarjeta de débito seleccionada, pago con moneda desactivado. Presione la tecla DELICATES (Ropa delicada) tres veces consecutivas para hacer esta selección.
E.00	<p>OPCIÓN DE AGREGAR MONEDAS (LAVADORA)</p> <p>Esta opción está seleccionada en On (Encendido) o no seleccionada en Off (Apagado) Esta opción hace que la pantalla del cliente muestre el número de monedas (moneda 1) que se deben colocar, en lugar del monto en dólares y centavos.</p>	J.C	Pago con monedas activado, pago con tarjeta de pago automático desactivado. Presione la tecla DELICATES (Ropa delicada) tres veces consecutivas para hacer esta selección.
E.00	No seleccionada en Off (Apagado).	J.Ed	<p>El modo mejorado de tarjeta de débito se elije automáticamente cuando un lector de tarjeta de generación 2 se instala en la lavadora. La opción Ed no se puede activar o desactivar manualmente.</p> <p>→ Presione la tecla EXTRA RINSE (Enjuague adicional) una vez para avanzar al siguiente código.</p>
E.AC	<p>Seleccionada en On (Encendido).</p> <p>Presione la tecla DELICATES (Ropa delicada) tres veces consecutivas para hacer esta selección.</p> <p>Solo modelos PR: En el modo de débito mejorado, esta opción no se puede seleccionar.</p> <p>→ Presione la tecla EXTRA RINSE (Enjuague adicional) una vez para avanzar al siguiente código.</p>	L.00	<p>OPCIÓN DE SUPRIMIR EL PRECIO (LAVADORA)</p> <p>Esta opción hace que la pantalla del cliente muestre "ADD" (Agregar) o "AVAILABLE" (Disponible), en lugar de la cantidad de dinero que hay que agregar. (Se usa principalmente en las instalaciones para tarjeta de débito.)</p>
Mejoras de lavado (LAVADORA)		L.00	No seleccionada en Off (Apagado)
H.00 COOL (Fría)	Precio de mejora de temperatura COOL (Fría); para ajustar entre 0 y 200 al presionar POWERWASH (lavado intenso) (aumentar) o presionar la tecla TEMPERATURE (Temperatura) (disminuir). Prefijado de fábrica para 0 monedas = \$0,00.	L.PS	<p>Seleccionada en On (Encendido). Presione la tecla DELICATES (Ropa delicada) una vez para hacer esta selección.</p> <p>→ Presione la tecla EXTRA RINSE (Enjuague adicional) una vez para avanzar al siguiente código.</p>
H.00 WARM (Tibia)	Precio de mejora de temperatura WARM (Tibia); para ajustar entre 0 y 200 al presionar POWERWASH (Lavado intenso) (aumentar) o presionar la tecla TEMPERATURE (Temperatura) (disminuir). Prefijado de fábrica para 0 monedas = \$0,00.	n.CE	<p>OPCIÓN PARA BORRAR LA CANTIDAD EN EL DEPÓSITO (LAVADORA)</p> <p>Cuando se selecciona, se borrará el dinero retenido en el depósito durante más de 30 minutos sin agregar más dinero ni actividad del ciclo.</p>
H.00 HOT (Caliente)	Precio de mejora de temperatura WARM (Tibia); para ajustar entre 0 y 200 al presionar POWERWASH (Lavado intenso) (aumentar) o presionar la tecla TEMPERATURE (Temperatura) (disminuir). Prefijado de fábrica para 0 monedas = \$0,00.	n.CE	Seleccionada en On (Encendido).
H.01 EXTRA RINSE (Enjuague adicional)	<p>Precio de mejora de temperatura EXTRA RINSE (Enjuague adicional); para ajustar entre 0 y 200 al presionar POWERWASH (Lavado intenso) (aumentar) o presionar la tecla TEMPERATURE (Temperatura) (disminuir). Prefijado de fábrica para 1 moneda = \$0,25.</p> <p>→ Presione la tecla EXTRA RINSE (Enjuague adicional) una vez para avanzar al siguiente código.</p>	n.00	<p>No seleccionada en Off (Apagado). Presione la tecla DELICATES (Ropa delicada) una vez para cancelar esta selección.</p> <p>→ Presione la tecla EXTRA RINSE (Enjuague adicional) una vez para avanzar al siguiente código.</p>
		r.800	<p>RPM PARA VELOCIDAD MÁXIMA DE EXPRIMIDO (LAVADORA)</p>
		r.800	<p>Se puede seleccionar entre las siguientes velocidades de centrifugado: 600 rpm, 750 rpm, 800 rpm, 1000 (se muestra como 999) rpm. Vea las velocidades presionando la tecla DELICATES (Ropa delicada). El valor predeterminado de fábrica es 800 rpm.</p> <p>→ Presione la tecla EXTRA RINSE (Enjuague adicional) una vez para avanzar al siguiente código.</p>

INSTRUCCIONES DE PROGRAMACIÓN DEL CONTROL ELECTRÓNICO

U.00	COMPENSACIÓN DE INCREMENTO EN CENTAVOS (SECADORA)	
U.00	Esto representa la compensación del precio en incremento en centavos que se usa en los modelos PR de la Generación 2 (Pago con tarjeta de pago automático mejorado). Elija de 0 a 4 monedas de 1 centavo presionando la tecla HEAVY DUTY (Carga pesada).	
U.00	COMPENSACIÓN DE INCREMENTO EN MONEDAS (CIENTOS) (LAVADORA)	
U.00	Esto representa la compensación del precio en incremento en centavos que se usa en los modelos PR de la Generación 2 (Pago con tarjeta de débito mejorado). Seleccione de 0 a 4 centavos al presionar la tecla POWERWASH (Lavado intenso) y para disminuir, presione la tecla TEMPERATURE (Temperatura).	
	<p>→ Presione la tecla EXTRA RINSE (Enjuague adicional) una vez para avanzar al siguiente código.</p>	
AJUSTES DE CICLO (LAVADORA)		
A1.03	PREWASH LENGTH (Duración de prelavado) Es el número de minutos de PREWASH (Prelavado). Para ajustar entre 2 y 7, presione la tecla POWERWASH (Lavado intenso) (aumentar) o la tecla TEMPERATURE (Temperatura) (disminuir).	
	<p>→ Presione la tecla EXTRA RINSE (Enjuague adicional) una vez para avanzar al siguiente código.</p>	
A2.03	FINAL SPIN LENGTH (Duración de centrifugado final) Es el número de minutos del centrifugado final a alta velocidad. Para ajustar entre 3 y 8, presione la tecla POWERWASH (Lavado intenso) (aumentar) o la tecla TEMPERATURE (Temperatura) (disminuir).	
	<p>→ Presione la tecla EXTRA RINSE (Enjuague adicional) una vez para avanzar al siguiente código.</p>	
A3.02	Los ajustes de ciclos normales permiten que el propietario seleccione las opciones predeterminadas de los ciclos de temperatura del agua, prelavado y enjuague adicional. Vea los ajustes específicos en la tabla 1. El ajuste de fábrica para Normal es 02. Ajuste al presionar la tecla POWERWASH (Lavado intenso) (aumentar) o la tecla TEMPERATURE (Temperatura) (disminuir).	
	<p>→ Presione la tecla EXTRA RINSE (Enjuague adicional) una vez para avanzar al siguiente código.</p>	
A4.00	Los ajustes de ciclos para ropa delicada permiten que el propietario seleccione las opciones predeterminadas de los ciclos de temperatura del agua, prelavado y enjuague adicional. Vea los ajustes específicos en la tabla 1. El ajuste de fábrica para ropa delicada es 00. Ajuste al presionar la tecla POWERWASH (Lavado intenso) (aumentar) o la tecla TEMPERATURE (Temperatura) (disminuir).	
	<p>→ Presione la tecla EXTRA RINSE (Enjuague adicional) una vez para avanzar al siguiente código.</p>	
A5.0F	Los ajustes de ciclos de lavado intenso permiten que el propietario seleccione las opciones predeterminadas de los ciclos de temperatura del agua, prelavado y enjuague adicional. Vea los ajustes específicos en la tabla 1. El ajuste de fábrica para lavado intenso es 0F. Ajuste al presionar la tecla POWERWASH (Lavado intenso) (aumentar) o la tecla TEMPERATURE (Temperatura) (disminuir).	
	<p>→ Presione la tecla EXTRA RINSE (Enjuague adicional) una vez para avanzar al siguiente código.</p>	

GARANTÍA LIMITADA DE MAYTAG COMMERCIAL LAUNDRY

MHN33PDCWW, MHN33PDCXW, MHN33PDCGW, MHN33PRCWW, MHN33PNCGW

SI NECESITA ASISTENCIA TÉCNICA:

Póngase en contacto con su distribuidor autorizado de Maytag Commercial Laundry. Para localizar su distribuidor autorizado de Maytag Commercial Laundry, visite www.MaytagCommercialLaundry.com.

Para la correspondencia escrita diríjase a:
Maytag Commercial Laundry Service Department
2000 N M 63
Benton Harbor, Michigan 49022-2632 EE.UU.

GARANTÍA LIMITADA DE SIETE AÑOS

QUÉ INCLUYE LA COBERTURA

GARANTÍA LIMITADA DE CINCO AÑOS (SOLO RECAMBIOS – MANO DE OBRA NO INCLUIDA)

Si este electrodoméstico comercial se instala, mantiene y utiliza conforme a las instrucciones incluidas o facilitadas con el producto, la marca Maytag de Whirlpool Corporation (en adelante “Maytag”) abonará los recambios especificados de fábrica durante los cinco primeros años desde la fecha de compra original con el fin de corregir defectos de materiales o fabricación existentes en el momento de la adquisición de este electrodoméstico comercial. Esta garantía limitada no incluye mano de obra.

GARANTÍA LIMITADA DEL SEXTO AL SÉPTIMO AÑO (SOLO DETERMINADOS COMPONENTES – MANO DE OBRA NO INCLUIDA)

Si este electrodoméstico comercial se instala, utiliza y mantiene en un entorno de venta y/o multivivienda ÚNICAMENTE conforme a las instrucciones incluidas o facilitadas con el producto, Maytag abonará los recambios especificados de fábrica para los siguientes componentes del sexto al séptimo año desde la fecha de compra original con el fin de corregir defectos no estéticos de materiales o fabricación en la pieza que impidan el funcionamiento del producto y que existieran en el momento de la adquisición de este electrodoméstico comercial. Esta es una garantía limitada de 7 años solo para las piezas que se indican a continuación y no incluye mano de obra.

Cojinetes de accionamiento, junta de cuba, espaciador de cojinete, cubo, pieza transversal, tambor, cuba trasera, cuba delantera, eje de tambor

EL ÚNICO RECURSO DISPONIBLE CON ESTA GARANTÍA LIMITADA SERÁ EL RECAMBIO DE LAS PIEZAS CON ARREGLO A LO DISPUESTO EN LA MISMA. Maytag recomienda utilizar un proveedor de servicios “autorizado” para diagnosticar y reparar su producto de Commercial Laundry. Maytag no se hace responsable en virtud de esta garantía de proporcionar recambios adicionales como consecuencia de un diagnóstico o reparación incorrectos de una empresa de servicios “no autorizada”. Esta garantía limitada solo es válida si el electrodoméstico comercial se utiliza en el país en el que se ha adquirido, exceptuando la Unión Europea. Esta garantía limitada entrará en vigor a partir de la fecha de compra original por parte del consumidor. Es necesario un justificante de la fecha de compra original para recibir asistencia técnica conforme a esta garantía limitada.

QUÉ NO INCLUYE LA COBERTURA

1. Todos los demás costes, incluyendo mano de obra, transporte, envío o derechos de aduana de los recambios cubiertos.
2. Recambios especificados de fábrica si este electrodoméstico comercial se utiliza para un uso comercial distinto al habitual o si se utiliza de manera contraria a las instrucciones de uso y/o las instrucciones de instalación publicadas.
3. Llamadas realizadas al servicio técnico para corregir la instalación del electrodoméstico comercial, recibir instrucciones sobre cómo utilizar el electrodoméstico comercial, sustituir o reparar fusibles domésticos o corregir cableado o tuberías externas.
4. Llamadas realizadas al servicio técnico para reparar o sustituir bombillas, filtros de aire o filtros de agua del electrodoméstico. Los consumibles no están incluidos en la cobertura de la garantía.
5. Los daños resultantes de un manejo indebido del producto durante el envío, robo, accidente, alteración, uso incorrecto, abuso, incendio, inundación, casos de fuerza mayor, instalación indebida, instalación no conforme a las normativas locales de electricidad y fontanería, o uso del producto no autorizado por Maytag.
6. Recogida y entrega. Este electrodoméstico comercial ha sido diseñado para su reparación in situ.
7. Reparaciones de piezas o sistemas como consecuencia de modificaciones no autorizadas en el electrodoméstico comercial.
8. La retirada y nueva instalación del electrodoméstico comercial si este se ha instalado en un lugar inaccesible o no se ha instalado conforme a las instrucciones de instalación publicadas.
9. Daños resultantes de la exposición a productos químicos.
10. Cambios realizados en el edificio, recinto o emplazamiento que resulten necesarios para el correcto funcionamiento del electrodoméstico comercial.
11. Recambios especificados de fábrica en electrodomésticos comerciales con números de modelo/serie originales que hayan sido retirados, alterados o no puedan determinarse con facilidad.
12. Decoloración, corrosión u oxidación de superficies de acero inoxidable.
13. Recambios especificados de fábrica como consecuencia de un diagnóstico o reparación incorrectos de una empresa de servicios “no autorizada”.
14. Recambios entre el sexto y el séptimo año desde la fecha de compra original si el electrodoméstico comercial se instala, utiliza y mantiene en un ámbito distinto a un entorno de venta y/o multivivienda.
15. Recambios entre el sexto y el séptimo año desde la fecha de compra original si el componente defectuoso no impide el funcionamiento del producto.

El cliente asumirá el coste de la reparación o sustitución en estas circunstancias no incluidas.

EXCLUSIÓN DE GARANTÍAS IMPLÍCITAS

LAS GARANTÍAS IMPLÍCITAS, INCLUIDA CUALQUIER GARANTÍA IMPLÍCITA DE COMERCIABILIDAD O GARANTÍA IMPLÍCITA DE IDONEIDAD PARA UN DETERMINADO FIN, ESTÁN LIMITADAS A SIETE AÑOS O EL PERÍODO MÁS CORTO LEGALMENTE PERMITIDO. Es posible que algunos lugares no permitan limitar la duración de las garantías implícitas de comerciabilidad o idoneidad, por lo que puede que esta limitación no sea aplicable en su caso. Esta garantía le otorga derechos legales específicos, y es posible que también tenga otros derechos que varían de un caso a otro.

EXCLUSIÓN DE DECLARACIONES FUERA DE LA GARANTÍA

Maytag no hace ningún tipo de declaración sobre la calidad, durabilidad o necesidad de asistencia técnica o reparación de este electrodoméstico que sea distinto a las declaraciones incluidas en esta garantía. Si desea una garantía de mayor duración o cobertura que la garantía limitada incluida en este electrodoméstico, consulte a su distribuidor sobre la posibilidad de adquirir una garantía ampliada. Las ventajas otorgadas con esta garantía se suman a otros derechos y recursos disponibles conforme a la legislación sobre los bienes o servicios a los que hace referencia la garantía. Póngase en contacto con Maytag para obtener más información sobre los términos de la garantía.

LIMITACIÓN DE RECURSOS; EXCLUSIÓN DE DAÑOS INCIDENTALES Y CONSECUENTES

EL ÚNICO RECURSO DISPONIBLE CON ESTA GARANTÍA LIMITADA SERÁ LA REPARACIÓN DEL PRODUCTO CON ARREGLO A LO DISPUESTO EN LA MISMA. MAYTAG NO SE HACE RESPONSABLE DE DAÑOS INCIDENTALES O CONSECUENTES. Algunos lugares no permiten excluir o limitar los daños incidentales o consecuentes, por lo que es posible que estas limitaciones y exclusiones no sean aplicables en su caso. Esta garantía le otorga derechos legales específicos, y es posible que también tenga otros derechos que varían en función del lugar.

NOTES

NOTES

