



Side-by-Side Refrigerator

FPHS2399PF

23 Cu. Ft. Standard-Depth



Product Dimensions

| | |
|-------------------------------------|---------|
| Height (Including Hinges & Rollers) | 69-7/8" |
| Width (Doors) | 33" |
| Depth (Including Door) | 33-1/8" |

More Easy-To-Use Features

Sliding SpillSafe® Glass Shelves

Slide-out for easy access and are designed to keep spills contained, making them easy to clean.

Cool Zone™ Drawer

Conveniently located in the fresh food compartment for easy access to sandwich foods.

Store-More™ Humidity-Controlled Crisper Drawers

Keep your fruits and vegetables fresh in our humidity-controlled crisper drawers.

Store-More™ Gallon Door Bins

Door storage gives you room for larger items — like a gallon of milk.

Quick Freeze

Quickly freeze foods so they stay at their freshest.

Quick Ice

Quick Ice delivers up to 37% more ice.²

PureAir Ultra® Filters

Keeps the air cleaner and fresher.

Pro-Select® Controls

Easily select options with the touch of a button.

A.D.A. Compliant

When properly installed, this model is A.D.A.-qualified based on the United States Access Board's A.D.A./A.B.A. Accessibility Guidelines and the Department of Justice's 2010 A.D.A. Standards for Accessible Design.

Signature Features



Adjustable Interior Storage

Over 100 ways to organize and customize your refrigerator.



Best-in-Class Ice & Water Filtration¹

PureSource Ultra® Water Filtration offers best-in-class water filtration so you get cleaner, better tasting water at your fingertips.



Multi-Level LED Lighting

Corner-to-corner LED lighting throughout the refrigerator for better visibility.



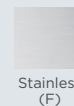
Smudge-Proof™ Stainless Steel

Reduces fingerprints and smudges so it's easy to clean.

ENERGY STAR®
Sabbath Mode
(Star-K® Certified)



Available in:

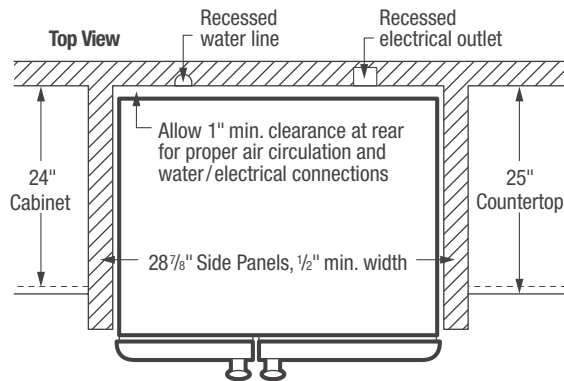
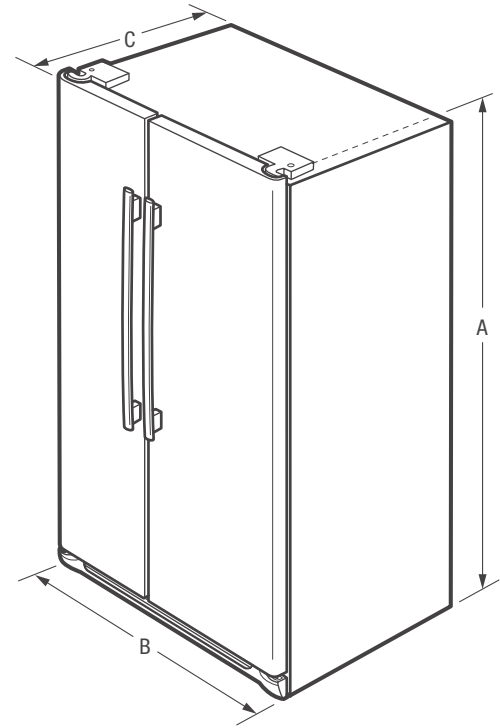
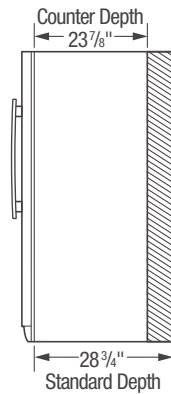


¹As compared to other consumer refrigeration water filtration systems.

²In a 24-hour period.

| Features | |
|---|----------------------|
| Door Design | Curved |
| Door Handle Design | Stainless |
| Cabinet Finish | Grey |
| Door Stops/Door Closers | Yes/Yes |
| Door Hinge Covers | Hidden |
| Rollers - Front/Rear | Adjustable/Yes |
| Energy Saver Plus Technology | Yes |
| Water Filter Location | Top Right Rear |
| Sound Package | Quiet Pack |
| Dispenser | |
| Controls | Pro-Select® |
| Dispenser Design | Flush, Single Paddle |
| Number of Dispenser Buttons | 11 |
| Crushed Ice/Cube Ice/Chilled Water | Yes/Yes/Yes |
| Ice Option | Quick Ice |
| Freeze Option | Quick Freeze |
| Display On/Off Option | Yes |
| Control Lock/Light | Yes/Yes |
| Temp/Door Ajar/Power Failure Alerts | Yes/Yes/Yes |
| Water Filter Change Indicator Light | Yes |
| Air Filter Change Indicator Light | Yes |
| Refrigerator Features | |
| Interior Lighting | Performance LED |
| Water Filter Type | PureSource Ultra® |
| Air Filter Type | PureAir Ultra® |
| Fixed Shelves | |
| Sliding Shelves | 3 SpillSafe® |
| Cool Zone™ Drawer | 1 Stacked |
| Wine/Can Rack | |
| Upper Crisper/Lower Crisper | 1 Clear/1 Clear |
| Humidity Controls | 2 |
| Dairy Compartment | 1 Clear |
| Fixed Door Bins | 2 Two-Liter Clear |
| Adjustable Door Bins | 2 One-Gallon Clear |
| Non-Slip Bin Liner/Bottle Retainers | Yes/No |
| Condiment Bin | |
| Freezer Features | |
| Door Bins/Tilt-Out Wire Door Bins | 4 White/No |
| Fixed Shelves | 2 Glass |
| Full Extension Baskets | |
| Full Freezer Baskets | 1 Plastic/1 Wire |
| Half Freezer Baskets | |
| Ice Cream Shelf/Pizza Shelf | Yes/Yes |
| SpaceSaver™ Shelf | |
| Lighting | LED |
| Certifications | |
| A.D.A. Compliant ¹ | Yes |
| ENERGY STAR® | Yes |
| Sabbath Mode (Star-K® Certified) | Yes |
| Specifications | |
| Total Capacity (Cu. Ft.) | 22.6 |
| Refrigerator Capacity (Cu. Ft.) | 14.2 |
| Freezer Capacity (Cu. Ft.) | 8.4 |
| Power Supply Connection Location | Right Bottom Rear |
| Water Inlet Connection Location | Left Bottom Rear |
| Voltage Rating | 120V/60Hz/15A |
| Connected Load (kW Rating) @ 120 Volts ² | 1.02 |
| Amps @ 120 Volts | 8.5 |
| Minimum Circuit Required (Amps) | 15 |
| Shipping Weight (Approx.) | 285 Lbs. |

Standard Refrigerator Depth vs. Counter Depth



NOTE: For planning purposes only. Always consult local and national electric and plumbing codes. Refer to Product Installation Guide for detailed installation instructions on the web at frigidaire.com.



| Overall Exterior Dimensions | |
|-------------------------------------|---------------|
| A - Height (Incl. Hinges & Rollers) | 69-7/8" |
| B - Cabinet Width/Door Width | 32-7/8" / 33" |
| C - Depth (Incl. Door) | 33-1/8" |
| Depth with Door Open 90° | 48" |

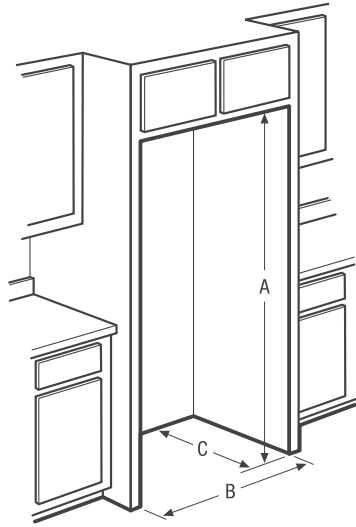
¹When properly installed, this model is A.D.A.-qualified based on the United States Access Board's A.D.A./A.B.A. Accessibility Guidelines and the Department of Justice's 2010 A.D.A. Standards for Accessible Design.

²For use on adequately wired 120V, dedicated circuit having 2-wire service with a separate ground wire. Appliance must be grounded for safe operation.

Accessories information available on the web at frigidaire.com

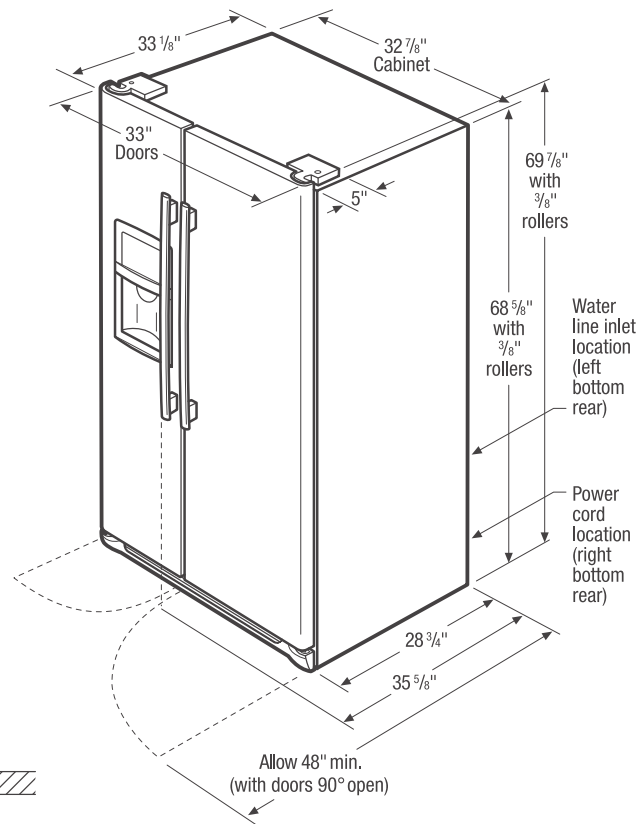
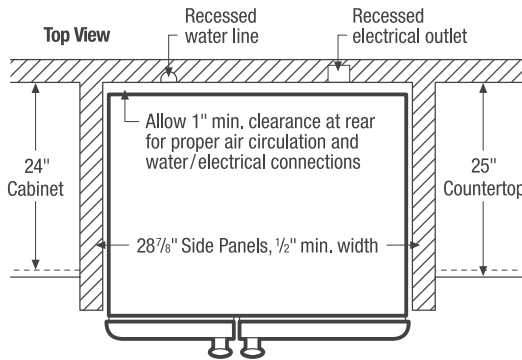
FRIGIDAIRE

USA • 10200 David Taylor Drive • Charlotte, NC 28262 • 1-800-FRIGIDAIRE • frigidaire.com
 CANADA • 5855 Terry Fox Way • Mississauga, ON L5V 3E4 • 1-800-265-8352 • frigidaire.ca



**“Built-In Look”
Cutout Dimensions**

(A) 70 1/4" (B) 33" (C) 28 7/8"



Side-by-Side Refrigerator Specifications

- Product Shipping Weight (approx.) - 285 Lbs.
- Voltage Rating - 120V/60 Hz/15 Amps
- Connected Load (kW Rating) @ 120 Volts = 1.02 kW (For use on adequately wired 120V, dedicated circuit having 2-wire service with a separate ground wire. Appliance must be grounded for safe operation.)
- Amps @ 120 Volts = 8.5 Amps
- Always consult local and national electric & plumbing codes.
- Floor should be level surface of hard material, capable of supporting fully loaded refrigerator.
- When installing refrigerator adjacent to wall, cabinet or other appliance that extends beyond front edge of unit, 20" minimum clearance recommended to allow for optimum 120° to 180° door swing, providing complete drawer/crisper access and removal. (*Absolute 4-1/2" minimum clearance will ONLY allow for 90° door swing which will provide drawer/crisper access with restricted removal.*)
- To ensure optimum performance, avoid installing in direct sunlight or close proximity to range, dishwasher or other heat source.
- For proper ventilation, front grille MUST remain unobstructed.

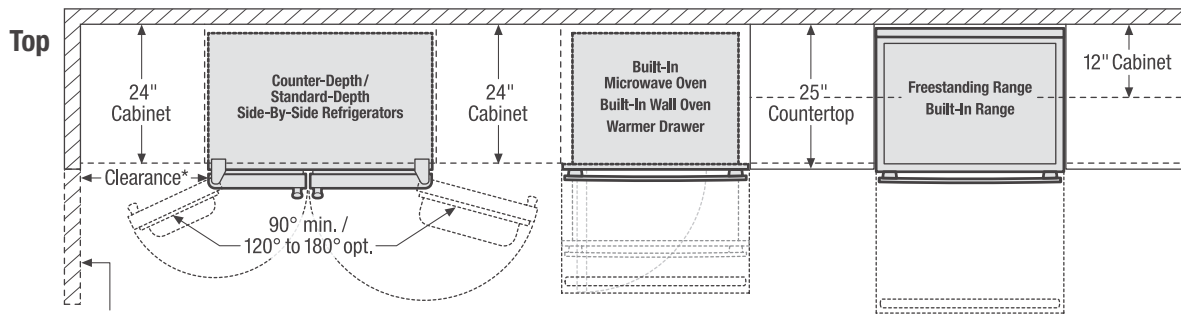
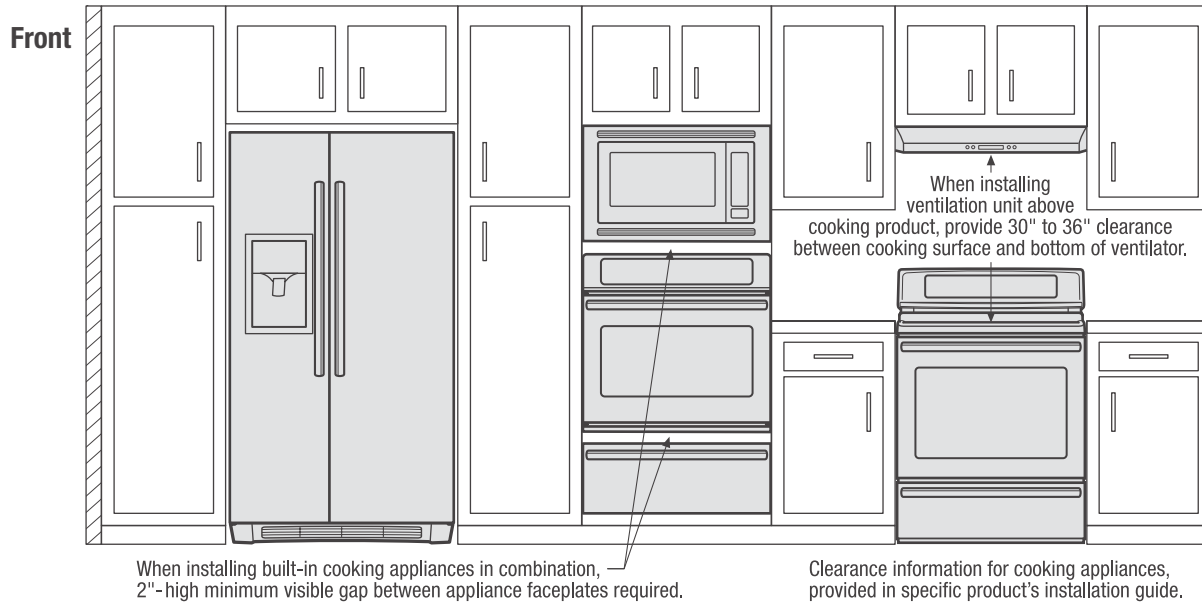
- Recess electrical outlet when possible.
- Water recess on rear wall recommended to prevent water line damage.
- Water Pressure - Cold water line must provide between 30 and 100 pounds per square inch (psi).
- Copper tubing with 1/4" O.D. recommended for water supply line with length equal to distance from rear of unit to household water supply line plus 7 additional feet. Optional Water Supply Installation Kits available.
- Adjustable front rollers to assist with door alignment.

“Built-In Look” Specifications

- Minimum opening of 70-1/4" H x 33" W x 28-7/8" D required to allow for ease of installation, proper air circulation, and plumbing/electrical connections.
- Remove all wall/floor molding prior to installation.

Note: For planning purposes only. Refer to Product Installation Guide on the web at frigidaire.com for detailed instructions.

Use these dimensions and clearance instructions for planning purposes only. For detailed installation instructions, refer to installation guide, packed with product, or on the web at frigidaire.com.



*When installing side-by-side refrigerator adjacent to wall, cabinet or another appliance that extends beyond front edge of unit, 20" minimum clearance recommended to allow for optimum 120° to 180° door swing, providing complete drawer/crisper access and removal. (Absolute 4-1/2" minimum clearance will ONLY allow for 90° door swing which will provide limited drawer/crisper access with restricted removal.)

When installing appliance with sliding drawer, swinging or drop-down door directly across from obstructions, provide sufficient clearance for drawer extension or door swings.

