

# FRIGIDAIRE

GALLERY.



## Freezer

FGCH25M8L W

Manual Defrost  
25 Cu. Ft. Chest



### Product Dimensions

|                        |         |
|------------------------|---------|
| Height (Including Lid) | 35"     |
| Width                  | 73-1/4" |
| Depth                  | 29-1/2" |

### More Easy-To-Use Features

#### Bright Lighting

Our bright lighting makes it easy to see what's inside

#### Power-On Indicator Light

Know at a glance that your freezer is working.

#### Adjustable Temp Control

#### Defrost Water Drain

#### Lid Handle



ENERGY STAR®

#### Available in:



White  
(W)

## Signature Features

### SpaceWise® Organization System

Heavy-duty dividers allow you to organize food storage like never before. System includes and accommodates pre-printed storage labels.

### Store-More™ Capacity

Our large capacity freezer gives you room to store more.

### Store-More™ Removable Basket

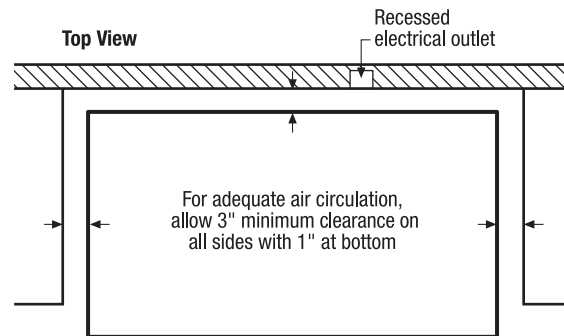
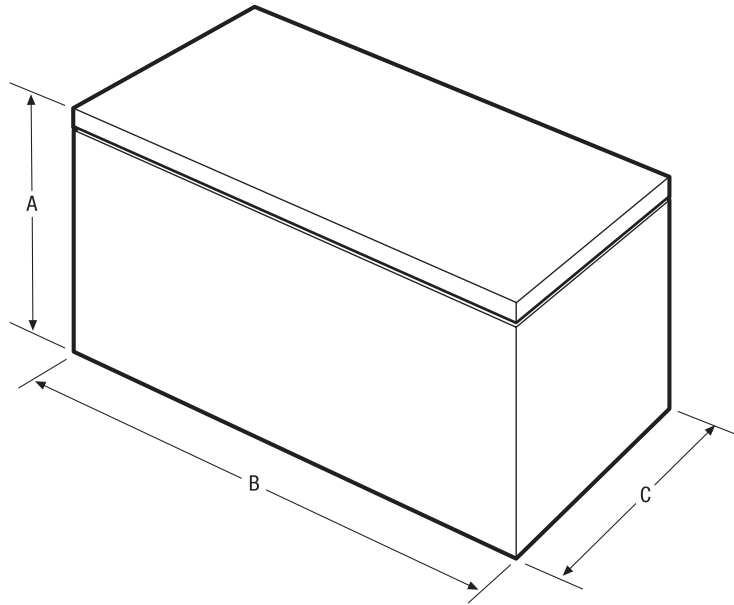
Convenient lift-out storage for easy access to most small frozen items or items that are most frequently accessed.

### Lock with Pop-Out Key

Key is automatically ejected upon locking for maximum security.

| Features                                |                |
|---|----------------|
| Defrost                                 | Manual         |
| Adjustable Temperature Control          | Yes            |
| Interior Lighting                       | Bright         |
| Store-More™ Removable Baskets           | 3              |
| Food Organization System                | Yes            |
| Defrost Water Drain                     | Yes            |
| Lid Handle                              | Yes            |
| Lock with Pop-Out Key                   | Yes            |
| Power-On Light                          | Yes            |
| Certifications                          |                |
| ENERGY STAR®                            | Yes            |
| CSA Rating                              | Household      |
| Specifications                          |                |
| Total Capacity (Cu. Ft.)                | 24.6           |
| Annual Energy (kWH)                     | 508            |
| Annual Energy Cost (.1065/kWH)          | \$54           |
| Power Supply Connection Location        | Bottom Rear    |
| Voltage Rating                          | 115V /60Hz /5A |
| Connected Load (kW rating) @ 115 Volts¹ | .6             |
| Amps @ 115 Volts                        | 5              |
| Minimum Circuit Required (Amps)         | 15             |
| Shipping Weight (Approx.)               | 224 Lbs.       |

<sup>1</sup>An electrical supply with grounded three-prong receptacle is required. The power supply circuit must be installed in accordance with current edition of National Electrical Code (NFPA 70) and local codes & ordinances.

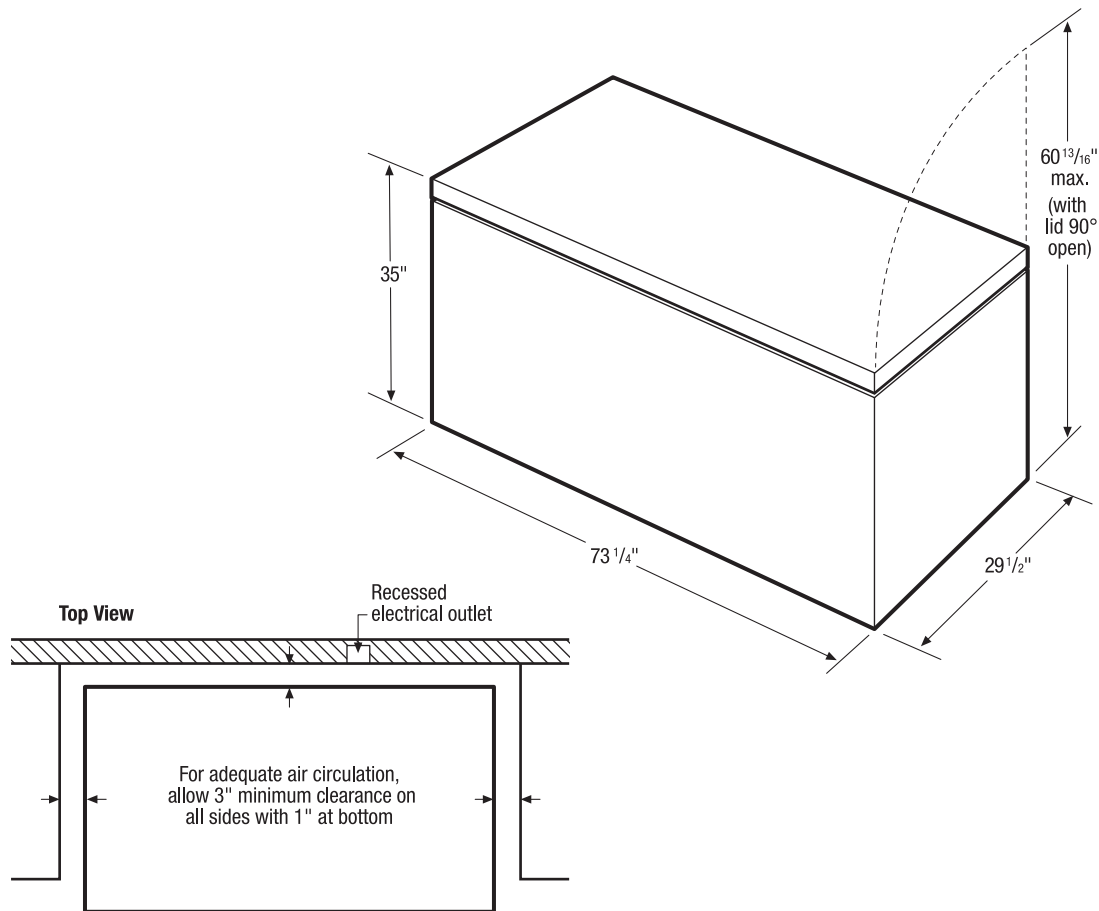


NOTE: For planning purposes only. Always consult local and national electric codes. Refer to Product Installation Guide for detailed installation instructions on the web at [frigidaire.com](http://frigidaire.com).



| Product Dimensions         |           |
|----------------------------|-----------|
| A - Height (Including Lid) | 35"       |
| B - Width                  | 73-1/4"   |
| C - Depth                  | 29-1/2"   |
| Height with Lid Open 90°   | 60-13/16" |

Accessories information available on the web at [frigidaire.com](http://frigidaire.com)



### Chest Freezer Specifications

- Product Shipping Weight (approx.) - 224 Lbs.
- An electrical supply with grounded three-prong receptacle is required. The power supply circuit must be installed in accordance with current edition of *National Electrical Code (NFPA 70)* and local codes & ordinances.
- Voltage Rating - 115V/60 Hz/5 Amps
- Connected Load (kW Rating) @115 Volts = 0.6 kW
- Amps @115 Volts = 5 Amps
- Always consult local and national electric codes.
- For adequate air circulation, allow 3" minimum clearance on all sides with 1" at bottom.

- Locate where surrounding air temperature will not exceed 110° F, to ensure optimum performance. (Temperatures 32° F and below will NOT affect operation.)
- All bottom corners of unit MUST rest firmly on solid level surface of hard material, same height as flooring. Surface must be strong and stable enough to support unit when fully loaded.
- Equipped with adjustable leveling legs to ensure unit is level, which is required in order to function properly.

**Note:** For planning purposes only. Refer to Product Installation Guide on the web at [frigidaire.com](http://frigidaire.com) for detailed instructions.