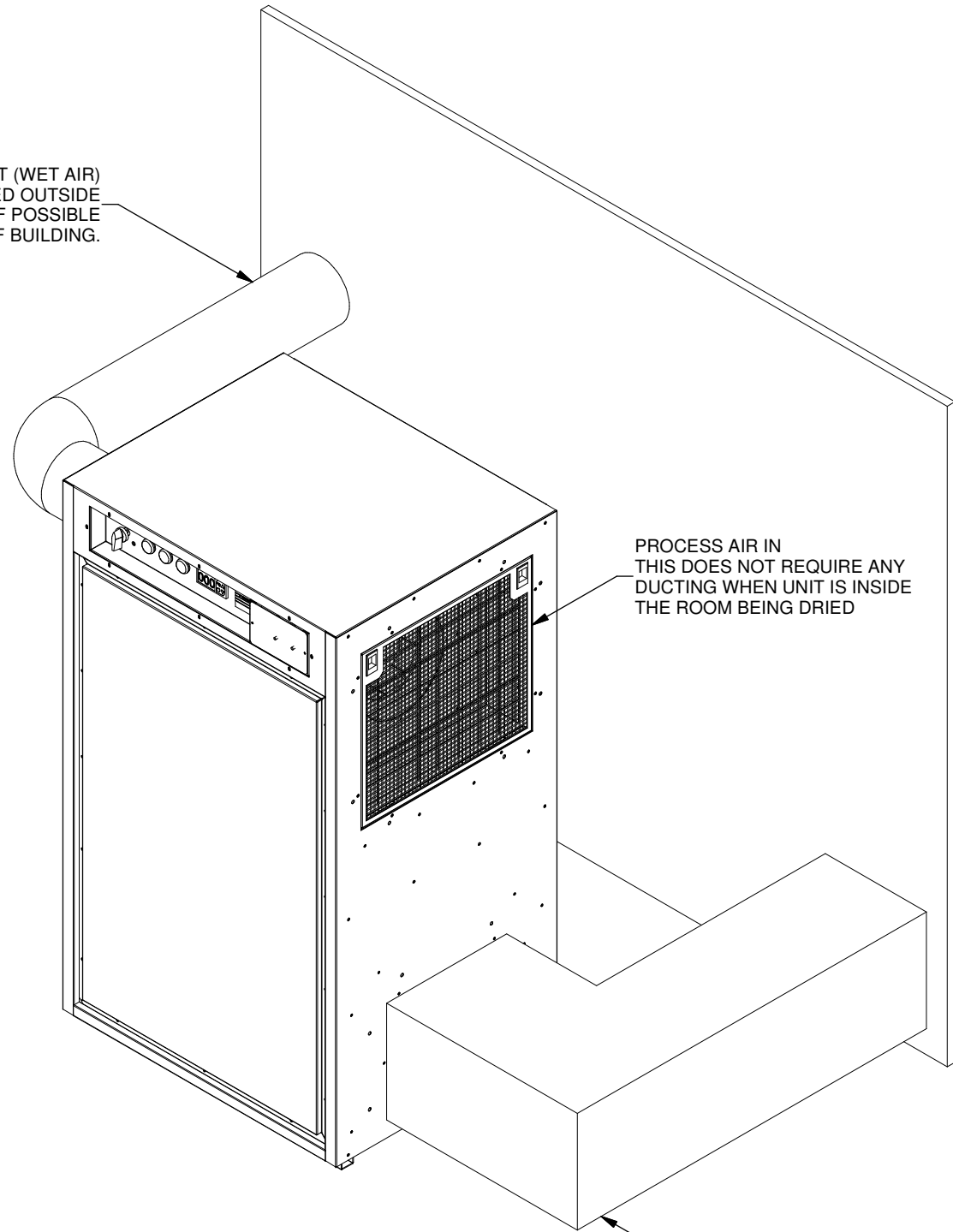


ISS.	DATE	COMMENTS
1	04/06/14	ORIGINAL

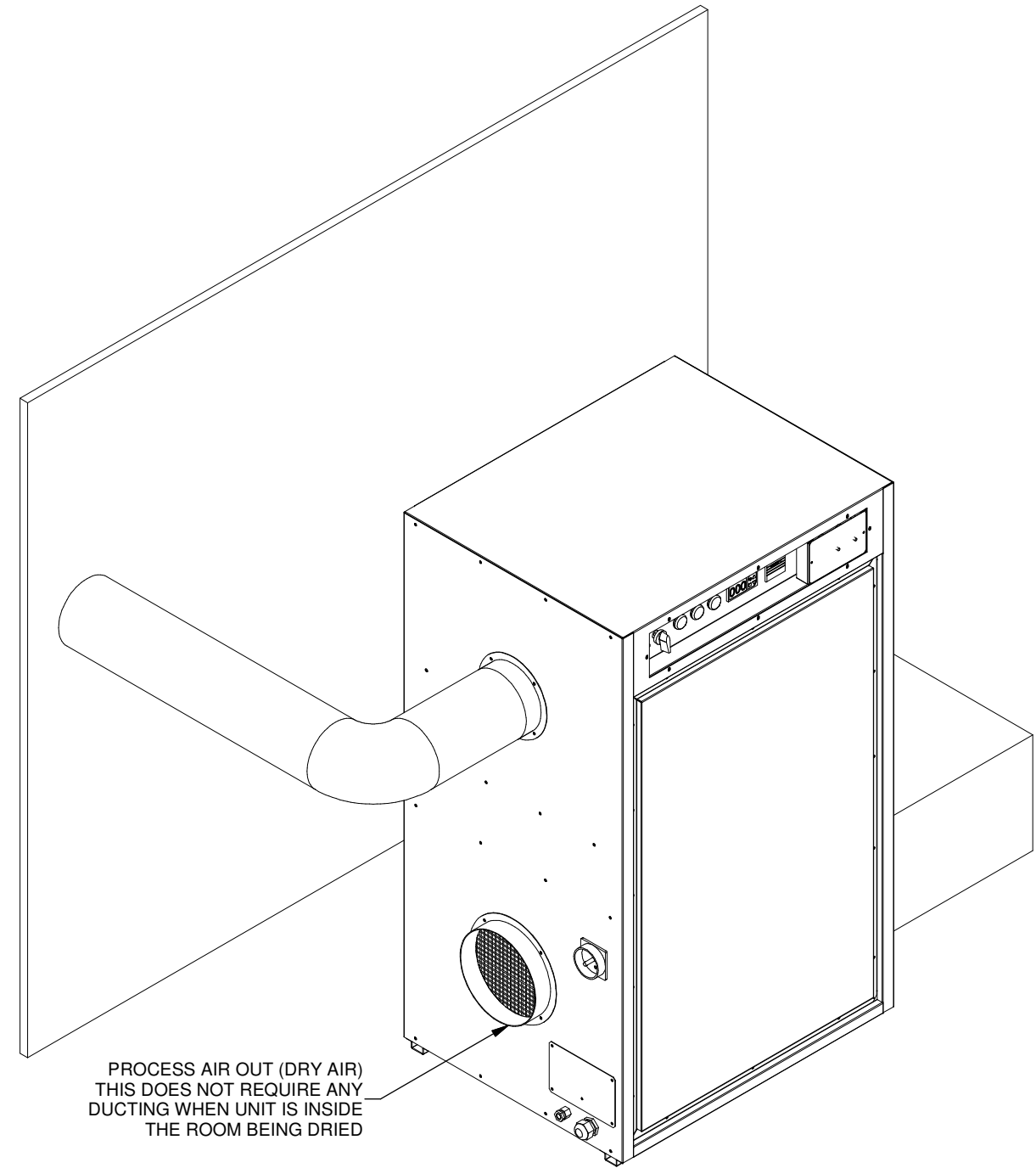
UNIT IS POSITIONED INSIDE ROOM BEING DRIED

REGENERATION AIR OUT (WET AIR)
THIS SHOULD BE DUCTED OUTSIDE
OF ROOM BEING DRIED. IF POSSIBLE
ALSO DUCT OUTSIDE OF BUILDING.


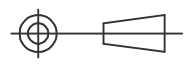


PROCESS AIR IN
THIS DOES NOT REQUIRE ANY
DUCTING WHEN UNIT IS INSIDE
THE ROOM BEING DRIED

REGENERATION AIR IN
THIS SHOULD BE DUCTED FROM
OUTSIDE OF ROOM TO THE
DEHUMIDIFIER



PROCESS AIR OUT (DRY AIR)
THIS DOES NOT REQUIRE ANY
DUCTING WHEN UNIT IS INSIDE
THE ROOM BEING DRIED

 © 1997 LTD	BISHOP AUCKLAND Co. DURHAM ENGLAND	TITLE	
		DD MID RANGE - DUCTING ARRANGEMENT	
3RD ANGLE PROJECTION  DO NOT SCALE IF IN DOUBT ASK	DIMENSIONS IN m.m. TOLERANCES UNLESS OTHERWISE STATED 0. ± 1 0.0 ± 0.25 0.00 ± 0.05 ANGULAR ± 0.5 DEGREE	MATERIAL	N/A
		FINISH	N/A
		DRAWN :	W DAGLISH
		CAD SCALE :	1/12
		DRG.NO.	1052011
		SHEET	1 OF 1