

IMPORTANT INSTRUCTIONS & OPERATING MANUAL

FRIGIDAIRE®

Zurich

Tabletop Retro Fireplace (Wooden Finish)

Item No: TZRF-1/0344



Read these instructions carefully before attempting to assemble, install, operate or maintain the product. Protect yourself and others by observing all safety information. Failure to comply with instructions could result in personal injury and / or property damage. Retain instructions for future reference.



GENERAL SAFETY INFORMATION

When using this fireplace, basic precautions should always be taken to reduce the risk of fire, electric shock and injury to persons, including the following:

CAUTION – Due to the high temperature, keep electrical cords, drapery and other furnishings at least 3 feet from the front, side and rear of the fireplace.

1. Carefully read all instructions before using the fireplace and retain for future reference.
2. Remove the unit from its packaging and check to make sure it is in good condition before use.
3. Do not let children play with any parts of the packing (such as plastic bags, etc.).
4. Check the household voltage to ensure that it matches the fireplace's rated specification.
5. Before using the fireplace, carefully check the power cord and plug for any damage.
6. Be sure that the room is equipped with a working smoke detector.
7. Before unplugging the power cord, turn off the power. When touching the unit, keep your hands dry to prevent electric shock.
8. Do not place the fireplace near curtains or other inflammable objects. Keep combustible materials, such as pillows, bedding, papers, clothes, and curtains at least 3 feet away from the front, side and rear of the fireplace.
9. Do not block air intakes or exhaust in any manner to prevent fire.
10. Do not use on soft or uneven surfaces, like a bed, where openings may become blocked.
11. Exhibit extreme caution when any fireplace is in the vicinity of children and infants.
12. Never leave children or infants unattended while the fireplace is on or plugged in.
13. When not in use, always unplug the fireplace.
14. Prevent water from entering the housing of the fireplace during operation or while in storage.
15. Always store the fireplace in a dry area free from any moisture. This fireplace is not intended for use in bathrooms, laundry areas, or similar indoor locations. Never place the fireplace where it may fall into a bath tub or get exposed to water in any way.
16. Do not use in places where gasoline, paint, or other inflammable liquids are used or stored.
17. Do not run the cord under carpets. Do not cover the cord with throw rugs, runners, or similar products. Arrange the cord away from traffic areas such that it will not be tripped over by anyone.
18. Do not operate any fireplace with a damaged cord, a damaged plug, after the fireplace malfunctions, or if it has been dropped or damaged in any manner. Return the fireplace to an authorized service facility for examination, electrical or mechanical adjustment, or repair.
19. Do not insert fingers or allow foreign objects to enter any ventilation or exhaust opening as this may lead to an electric shock or fire, or may even damage the fireplace.
20. This fireplace becomes hot during use. To avoid burns, do not let bare skin touch hot surfaces. If necessary, use the handles when moving this fireplace.
21. Use this fireplace only as described in this manual. Any other uses not recommended by the manufacture may cause fire, electric shock, or personal injure and may void warranty privileges.
22. Always plug fireplaces directly into a wall outlet. Never use an extension cord, power strip, surge

protector, multiple outlet adapter, cord reel or outlet-type air freshener. The use of such devices creates a fire hazard.

23. Faulty wall outlet connections may cause the wall outlet to overheat. Be sure that the fireplace plug properly fits into the outlet before each use. During use, make sure the fireplace plug does not overheat. If necessary, have a qualified electrician check and / or replace the wall outlet.
24. Do not place the fireplace near a bed for objects such as pillows or blankets can fall off the bed and be ignited by the fireplace.
25. Never clean this fireplace while it is plugged in. To disconnect, turn control to OFF, then remove the plug from the outlet. Never pull the cord. Always hold the plug firmly and then remove from the outlet.
26. This fireplace is intended for supplemental heat and / or decorative purposes. Continuous use for several hours can impact the performance and life of the fireplace.
27. It is not intended to be used in commercial, industrial or agricultural settings.
28. Do not use outdoors.

Getting Started

- Remove the fireplace from the box.
- Remove the packaging. Place it inside the box or safely dispose elsewhere.

Package Contents

- Electric Fireplace
- Instruction Manual

Features

- Compact retro fireplace
- Tabletop Design
- Dual heat settings (500Watts / 1000Watts)
- Realistic logwood flame effect
- Flames operate independently of heat
- 1000 Watts
- No assembly or hardware needed. Simply plug & heat
- Built-in overheat protection, auto safety shut-off

Quick Reference Guide

- Prior to installation, please ensure that the voltage and capacity of your power outlet is compatible with your fireplace.
- Your fireplace may emit a slight, harmless odor during its first use. This odor is a normal reaction caused by the initial heating of internal fireplace parts and it will not occur again.
- It is normal for fireplace to make a rattling sound for a short duration of time during its first use.
- If your fireplace does not emit heat, please ensure the fireplace switch is on. For further information, please refer to the Troubleshooting section of this manual.

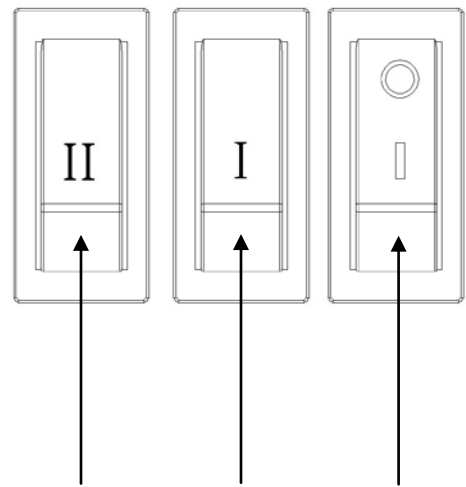
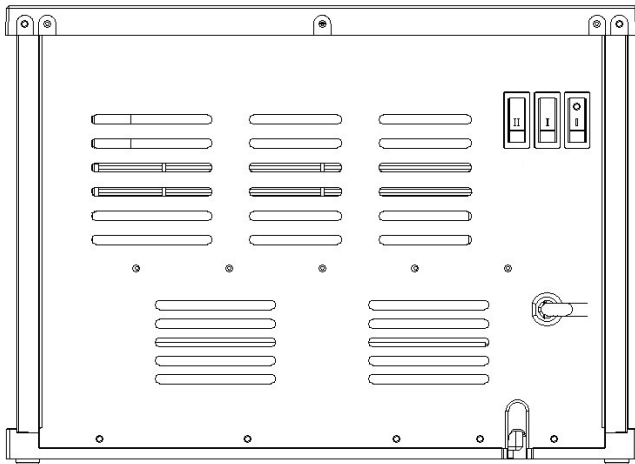
Helpful Advice Before Installation

- Please retain all packaging until all the parts and other package contents are accounted for.
- It is recommended to place your fireplace near an existing wall outlet for ease of electric connection.
- Store your fireplace in a dry, safe and dust-free place while drilling during fireplace installation.
- Do not attempt to wire new outlets or circuits. To reduce the risk of fire, electric shock or injury to persons, always have a licensed electrician perform maintenance and repairs.

Instructions for Use

This fireplace can be operated with the switches located on the rear panel of the fireplace.

- Plug the fireplace into a power outlet.
- The controls are located on the rear panel of the fireplace. The ON/OFF switch must first be turned ON. This will turn on the flame effect.



High Heat

Low Heat

Power & Flame Effect
Switch

- Turn the I button ON for low heat.
- Turn the I & II button ON for high heat.

Auto Safety Shut-Off Mechanism

- This fireplace is equipped with a safety shut-off feature which initiates if the fireplace overheats (e.g. Due to blocked air vents). For safety reasons, the fireplace will NOT automatically reset, and will need to be manually turned ON.
- To restart the fireplace, unplug the fireplace from the power outlet for at least 15 minutes. Next, reconnect to the power outlet and turn on the fireplace.

Troubleshooting

Problem	Possible Solution
Unit does not work / does not heat	<ul style="list-style-type: none">• Check if the unit is plugged in the power outlet.• Check if the unit is in Standby mode. If so, turn the unit ON.• Check if the heat is turned OFF.• Check for safety cut-off operation.
No flame effect	<ul style="list-style-type: none">• Check if the unit is plugged in the power outlet.• Check if the unit is in Standby mode. Turn the unit ON.

Replacing the Light Bulb

- This fireplace consists of 1 bulb (E-12, 40W) that illuminates a flame effect. The light bulb needs to be replaced if you notice a dark section of the flame or when the flames lose clarity.
- **Warning** - Always disconnect from the power outlet before removing bulbs to reduce the risk of fire, electric shock or damage to property.
- **Warning** - The bulb reaches high temperatures during operation. Allow it to cool down before replacing it.
- Access the bulb panel located on the rear panel of the fireplace (see below figure).

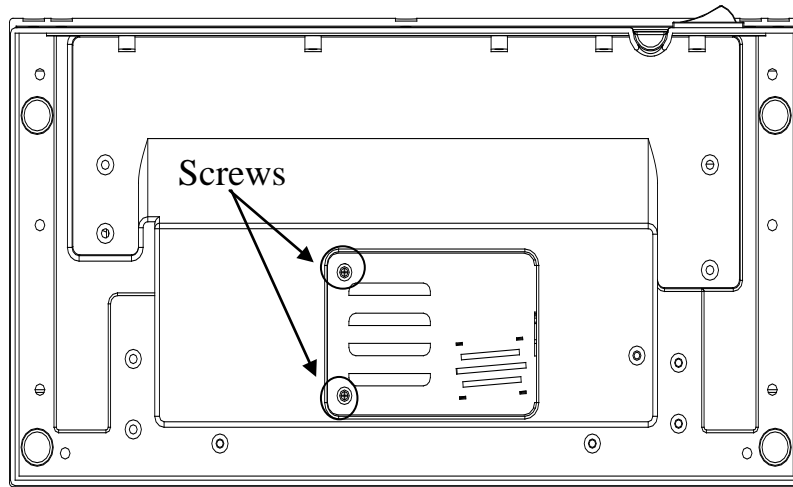


Fig.1

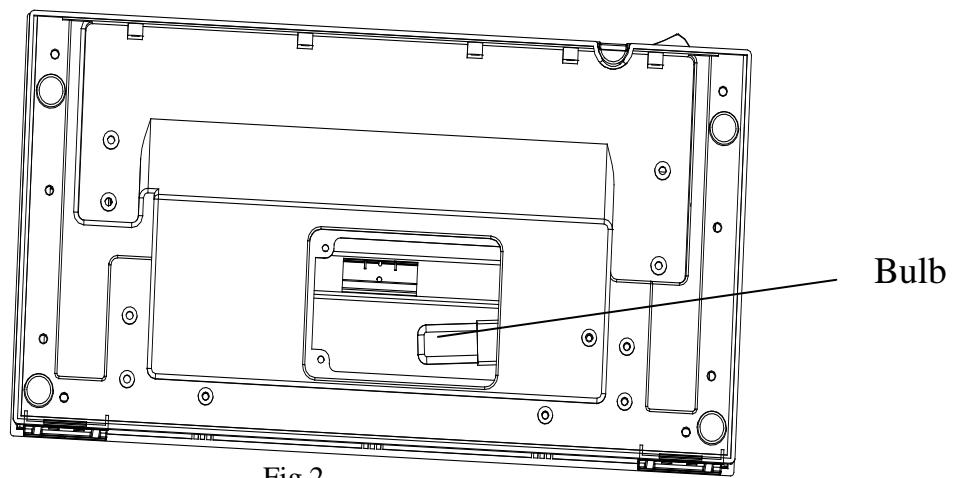


Fig.2

- Access the bulb by removing the screws located on the back panel.
- Replace the bulb with a new one. Extra caution should be taken because the bulb may be hot.
- Close the panel lid using screws.
- **Warning** – Do not use fireplace without properly putting the lid back in place.
- **Caution** – Sharp edges!

Cleaning & Maintenance

- Disconnect from the power supply before attempting any maintenance or cleaning in order to reduce the risk of fire, electric shock to persons or damage to property.
- **Warning** - Always disconnect from the power supply before cleaning fireplace.
- For general cleaning, use a soft, clean duster. Never use abrasive cleaners. The glass viewing screen should be cleaned thoroughly with a soft cloth. Do **NOT** use proprietary glass cleaners.

Technical Specification

- Supply: 110-120V, 60Hz
- Rated Power: 1000W
- Bulb: 1 x 25W

Environment



- Meaning of crossed –out wheeled dustbin:
 - Do not dispose of electrical appliances as unsorted municipal waste, use separate collection facilities.
 - Contact your local government for information regarding the collection systems available.
-
- If electrical appliances are disposed of in landfills or dumps, hazardous substances can leak into the groundwater and get into the food chain, damaging your health and well-being.
 - When replacing old appliances with new ones, the retailer is legally obligated to take back

Trademark Notice: FRIGIDAIRE is a registered trademark used under license from Electrolux Home Products, Inc.