

COMMERCIAL
MODELS: 181-401, 182-400

CATALOG NO. 9300.203
Effective: 04-01-15
Replaces: 10-01-14

RAYPAK ILLUSTRATED PARTS LIST

MODEL SIZES: 182, 260, 330, 400 ATMOSPHERIC
181, 261, 331, 401 LOW NOx

MODEL TYPES: H AND WH

DATES OF MANUFACTURE: 10-17-00 THRU CURRENT

MODELS H1, H5 & W2 FOR SIZES 182 & 260 - 10-17-00 THRU 8-31-12

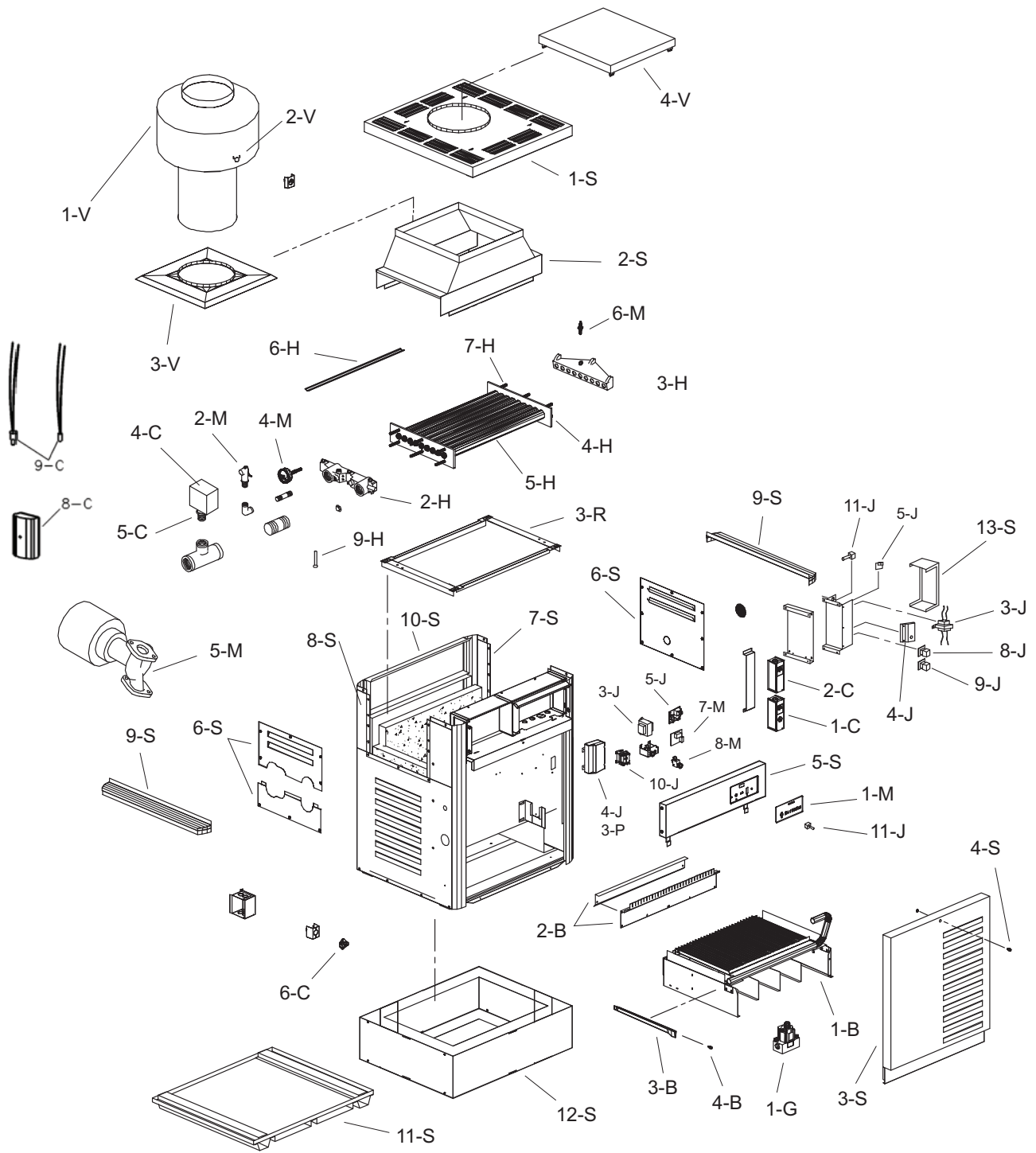
THE PARTS LISTED ARE FOR STANDARD EQUIPMENT FOR THIS MODEL TYPE. RAYPAK RESERVES THE RIGHT TO SUBSTITUTE, DELETE OR CHANGE ANY PART WITHOUT NOTIFICATION. THE ADDITION OF OPTIONS MAY ALSO CHANGE SOME OF THE PARTS. ORDER REPLACEMENT PARTS FROM ACTUAL HEATER COMPONENTS.

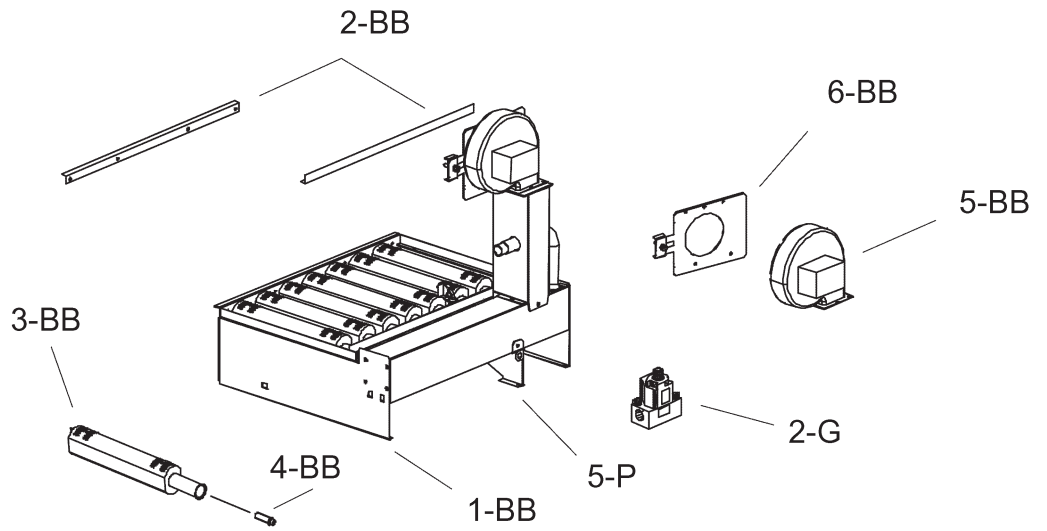


FOR DETAILED INSTRUCTIONS, SEE "HOW TO USE YOUR RAYPAK ILLUSTRATED PARTS LIST",
CATALOG NO. 9001.10

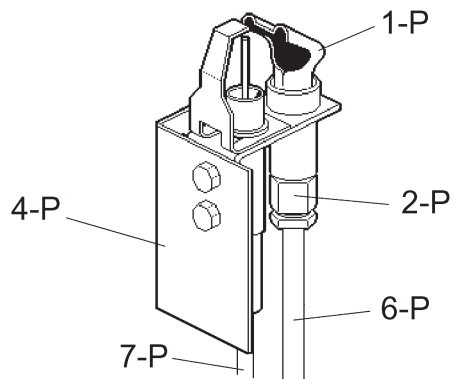


Raypak, Inc., 2151 Eastman Avenue, Oxnard, CA 93030
(805) 278-5300 Fax (800) 872-9725
Litho In U.S.A.
Part No. 241076





FOR UNITS WITH A LOW NO_x BURNER TRAY



HONEYWELL IID PILOT ASSEMBLY

CALL OUT	DESCRIPTION	182/181	260/261	330/331	400/401
B	BURNER TRAY (Atmospheric)***	182	260	330	400
1-B	Burner Tray w/Burners (Sea Level)* Burner Tray w/o Burner (Sea Level)*	005213F 005217F	005214F 005218F	005215F 005219F	008131F 008132F
2-B	Burner Spacer/Hold Down Kit	005237F	005238F	005239F	005240F
3-B	Burner	301210/13	301210/19	301210/24	301210/29
4-B	Burner Orifice Nat. #51 (Sea Level)* Burner Orifice Pro. #57 (Sea Level)*	350080F/13 350083F/13	350080F/19 350083F/19	350080F/24 350083F/24	350080F/29 350083F/29
5-B	Burner Tray w/o Manifold and Burners	005265F	005266F	005267F	005268F
BB	BURNER TRAY (Fan Assisted Low Nox)***	181	261	331	401
1-BB	Burner Tray w/Burners (Sea Level)* Burner Tray w/ Burner 2 Stage (Sea Level)* Burner Tray w/o Burner (Sea Level)* Burner Tray w/o Burner 2 Stage (Sea Level)*	007994F 009042F 007998F 009046F	007995F 009043F 007999F 009047F	007996F 009044F 008000F 009048F	007997F 009045F 008001F 009049F
2-BB	Burner Hold Down Kit	008002F	008003F	008004F	008005F
3-BB	Burner	309255/3	309255/5	309255/6	309255/7
4-BB	Burner Orifice Nat. #30 (0-5000 ft)** Burner Orifice Nat. #31 (Above 5000 ft)**	351510/3 351523/3	351510/5 351523/5	351510/6 351523/6	351510/7 351523/7
5-BB	Blower	008080F	008080F	008080F	008080F
6-BB	Air Shutter On/Off Air Shutter 2 Stage	008133F 008133F	008134F 009040F	008134F 009040F	008134F 009041F
C	CONTROLS				
1-C	Manual Reset Adjustable High Limit 240°F Max Manual Reset Adjustable High Limit 200°F Max	007144F 008081F	007144F 008081F	007144F 008081F	007144F 008081F
2-C	Auto Reset Adjustable High Limit 240°F Max Auto Reset Adjustable High Limit 200°F Max Auto Reset Adjustable High Limit 180°F Max	007141F 012546F 006445F	007141F 012546F 006445F	007141F 012546F 006445F	007141F 012546F 006445F
3-C	Controller 2 Stage B-6 Controller 2 Stage B-8 (W3 & WH3) Controller 4 Stage B-10 Digital (Use New #) Controller 4 Stage B-10 Digital Retrofit to B-21 Controller 2 Stage (B-26 / B-27) Digital Controller 4 Stage (B-21 / B-23) Digital	007392F 006760F N/A 014284F 009861F 009862F	007392F 006760F N/A 014284F 009861F 009862F	007392F 006760F N/A 014284F 009861F 009862F	007392F 006760F N/A 014284F 009861F 009862F
7-C	Controller 2 Stage w/ Outdoor Reset B-42	014279F	014279F	014279F	014279F
8-C	Sensor Outdoor Air B-32	010786F	010786F	010786F	010786F
9-C	Sensor Water Sensor Water System (Tekmar) Sensor Water screw-In Outlet (Tekmar)	010787F 011861F	010787F 011861F	010787F 011861F	010787F 011861F
4-C	Flow Switch	007142F	007142F	007142F	007142F
5-C	Flow Switch Paddle (McDonnell Miller) Flow Switch Paddle (Taco)	004079F 010026F	004079F 010026F	004079F 010026F	004079F 010026F
6-C	Flame Roll-Out Sensor	006035F	006035F	006035F	006035F
G	GAS VALVE	SEE GAS VALVE REPLACEMENT CHART			
H	HEAT EXCHANGER				
1-H	Heat Exchanger Assy Cast Iron Heat Exchanger Assy Brass Heat Exchanger Assy Cast Iron Cupro Nickel Heat Exchanger Assy Brass Cupro Nickel	008006F 008010F 008014F 008018F	008007F 008011F 008015F 008019F	008008F 008012F 008016F 008020F	008009F 008013F 008017F 008021F
2-H	Inlet/Outlet Header Cast Iron Inlet/Outlet Header Brass	002040F 002041F	002040F 002041F	002040F 002041F	002040F 002041F
3-H	Return Header Cast Iron Return Header Brass	002042F 002043F	002042F 002043F	002042F 002043F	002042F 002043F
4-H	Tube Bundle Tube Bundle Cupro Nickel	008022F 008026F	008023F 008027F	008024F 008028F	008025F 008029F
5-H	Heat Exchange Tube Heat Exchange Tube Cupro Nickel	008030F 008034F	008031F 008035F	008032F 008036F	008033F 008037F
6-H	Baffle Kit	008038F	008039F	008040F	008041F
7-H	Stud Bolt Kit	007870F	007870F	007870F	007870F
8-H	Header Gasket	800203B	800203B	800203B	800203B
9-H	Sensor Well	007211F	007211F	007211F	007211F
10-H	Well Retaining Clip	300203	300203	300203	300203

*FOR ALTITUDES ABOVE 2,000 FEET LEVEL, CONSULT THE FACTORY

**FOR INSTALLATIONS OVER 5000 FEET ABOVE SEA LEVEL, CONSULT THE FACTORY

***REPLACEMENT BURNER TRAYS ARE BUILT FOR SEA LEVEL, NATURAL GAS APPLICATIONS UNLESS OTHERWISE SPECIFIED AT THE TIME THE ORDER IS PLACED.

CALL OUT	DESCRIPTION	182/181	260/261	330/331	400/401
J	CONTROL BOX (Atmospheric)	182	260	330	400
1-J	Control Box IID/TTD				
	Water Heater Rated Units	008042F	008043F	008044F	008045F
	Boiler Rated Units manufactured prior to 9/1/12	008042F	008043F	008044F	008045F
	Boiler Rated Units manufactured from 9/1/12	014296F	014297F	008044F	008045F
	Control Box Lock/TTD				
	Water Heater Rated Units	008051F	008052F	008053F	008054F
	Boiler Rated Units manufactured prior to 9/1/12	008051F	008052F	008053F	008054F
	Boiler Rated Units manufactured from 9/1/12	014298F	014299F	008053F	008054F
	Control Box Lock/TTD (H3, W3 & WH3)				
	Water Heater Rated Units	008055F	008056F	008057F	008058F
	Boiler Rated Units manufactured prior to 9/1/12	008055F	008056F	008057F	008058F
	Boiler Rated Units manufactured from 9/1/12	014300F	014301F	008057F	008058F
2-J	Control Box C2A/TTD	N/A	N/A	N/A	N/A
3-J	Transformer 120/24V 50VA	006533F	006533F	006533F	006533F
4-J	Ignition Control IID	004817B	004817B	004817B	004817B
	Ignition Control Lock. IID	004818B	004818B	004818B	004818B
	Ignition Control IID/Damper	005017F	005017F	N/A	N/A
	Ignition Control Lock/Damper	004935F	004935F	N/A	N/A
	Ignition Control C2A	007359F	007359F	007359F	007359F
12-J	Base Ignition Control	008701F	008701F	008701F	008701F
13-J	Remote Keyboard Display Module C2A (Not Shown)	015399F	015399F	015399F	015399F
5-J	Economaster II Control	004675F	004675F	004675F	004675F
6-J	Amplifier Flame Rectification C2A (Not Shown)	008092F	008092F	008092F	008092F
7-J	Spark Generator C2A (Not Shown)	007361F	007361F	007361F	007361F
8-J	Relay SPST 24V Coil C2A	007377F	007377F	007377F	007377F
9-J	Relay SPDT 120V Coil C2A	008145F	008145F	008145F	008145F
	Relay DPDT 120V NO/NC	013243F	013243F	013243F	013243F
11-J	Toggle Switch	008079F	008079F	008079F	008079F
J	CONTROL BOX (Fan Assisted Low Nox)	181	261	331	401
1-J	Control Box Lock On/Off				
	Water Heater Rated Units	008103F	008104F	008105F	008106F
	Boiler Rated Units manufactured prior to 9/1/12	008103F	008104F	008105F	008106F
	Boiler Rated Units manufactured from 9/1/12	014302F	014303F	008105F	008106F
	Control Box Lock Two Stage				
	Water Heater Rated Units	008107F	008108F	008109F	008110F
	Boiler Rated Units manufactured prior to 9/1/12	008107F	008108F	008109F	008110F
	Boiler Rated Units manufactured from 9/1/12	014304F	014305F	008109F	008110F
2-J	Control Box C2A/TTD	N/A	N/A	N/A	N/A
3-J	Transformer 50VA	006533F	006533F	006533F	006533F
4-J	Ignition Control IID	004817B	004817B	004817B	004817B
	Ignition Control Lock. IID	004818B	004818B	004818B	004818B
	Ignition Control IID/Damper	005017F	005017F	N/A	N/A
	Ignition Control Lock/Damper	004935F	004935F	N/A	N/A
	Ignition Control C2A	007359F	007359F	007359F	007359F
5-J	Economaster II Control	004675F	004675F	004675F	004675F
6-J	Amplifier Flame Rectification C2A (Not Shown)	008092F	008092F	008092F	008092F
7-J	Spark Generator C2A (Not Shown)	007361F	007361F	007361F	007361F
8-J	Relay SPST 24V Coil C2A	007377F	007377F	007377F	007377F
9-J	Relay SPDT 120V Coil C2A	008145F	008145F	008145F	008145F
	Relay DPDT 120V NO/NC	013243F	013243F	013243F	013243F
10-J	Relay Low Nox Blower	008784F	008784F	008784F	008784F
	Relay-10 Second Delay 2 Stage (Not Shown)	007378F	007378F	007378F	007378F
11-J	Toggle Switch	008079F	008079F	008079F	008079F

CALL OUT	DESCRIPTION	182/181	260/261	330/331	400/401
M	MISCELLANEOUS COMPONENTS				
1-M	Switch Plate IID	901613	901613	901613	901613
2-M	PRV 30 PSI	007217F	007217F	007217F	007217F
	PRV 45 PSI	007220F	007220F	007220F	007220F
	PRV 60 PSI	007222F	007222F	007222F	007222F
	PRV 75 PSI	007223F	007223F	007223F	007223F
	PRV 125 PSI	008091F	007224F	007224F	007224F
	PRV 150 PSI	007225F	007225F	007225F	007225F
3-M	Deliming Kit	052871F	052871F	052871F	052871F
4-M	T & P Gauge 0-90 PSI	007205F	007205F	007205F	007205F
	T & P Gauge 0-200 PSI	007399F	007399F	007399F	007399F
5-M	Pump CIBF	005573	005573	005573	005573
	Pump Brass	012912F	012912F	012912F	012912F
9-M	Pump Cartridge	951153F	951153F	951153F	951153F
6-M	Remote Sensor for Low Water Cut Off	008063F	008063F	008063F	008063F
7-M	Low Water Cut Off PC Board	007157F	007157F	007157F	007157F
8-M	Reset Switch for Low Water Cut Off	005641F	005641F	005641F	005641F
10-M	Touch-up Paint				
	Green	750125	750125	750125	750125
	Cool Dark Gray	750256	750256	750256	750256
	Warm Dark Gray	750258	750258	750258	750258
P	PILOT				
1-P	Pilot Nat. IID Atmospheric	002003F	002003F	002003F	002003F
	Pilot Pro. IID Atmospheric	002003F	002003F	002003F	002003F
	Pilot Nat. IID Low Nox	008155F	008155F	008155F	008155F
	Pilot C2 Nat.	002065F	002065F	002065F	002065F
2-P	Pilot Orifice Nat. IID .020	003903F	003903F	003903F	003903F
	Pilot Orifice Pro. IID .012	004308F	004308F	004308F	004308F
	Pilot Orifice Nat. C2	600552	600552	600552	600552
3-P	Ignition Control IID	004817B	004817B	004817B	004817B
	Ignition Control Lock. IID	004818B	004818B	004818B	004818B
	Ignition Control IID/Damper	005017F	005017F	N/A	N/A
	Ignition Control Lock/Damper	004935F	004935F	N/A	N/A
	Ignition Control C2A (Not Shown)	007359F	007359F	007359F	007359F
4-P	Pilot Mounting Bracket IID Atmospheric	306692	306692	306692	306692
	Pilot Mounting Bracket C2 Atmospheric	004668F	004668F	004668F	004668F
5-P	Pilot Mounting Bracket IID Low Nox	008082F	008082F	008082F	008082F
	Pilot Mounting Bracket C2 Low Nox	008083F	008083F	008083F	008083F
6-P	Pilot Tube	400607	400607	400607	400607
7-P	Hi Tension Wire w/Pilot Electrode	N/A	N/A	N/A	N/A
8-P	Base Ignition Control C2 (Not Shown)	008701F	008701F	008701F	008701F
R	REFRACTORY				
1-R	Refractory Common (Left & Right)	005282F	005282F	005282F	005282F
2-R	Refractory Uncommon (Front & Rear)	005283F	005284F	005285F	005286F
4-R	Refractory (All)	012192F	012193F	012194F	012195F
3-R	Refractory Retainer Kit	005287F	005288F	005289F	005290F

CALL OUT	DESCRIPTION	182/181	260/261	330/331	400/401
S	SHEETMETAL				
1-S	Jacket Top (Louvered) Green	005303F	005304F	005305F	005306F
	Cool Dark Gray	014222F	014223F	014224F	014225F
2-S	Flue Collector	005307F	005308F	005309F	005310F
3-S	Door Assy. Green	005315F	005316F	005317F	005318F
	Warm Dark Gray	014226F	014227F	014228F	014229F
4-S	Screw & Retainer	006744F	006744F	006744F	006744F
5-S	Control Panel Green	008064F	008065F	008066F	008067F
	Warm Dark Gray	014230F	014231F	014232F	014233F
6-S	Access Panel Green	008071F	008071F	008071F	008071F
	Cool Dark Gray	014249F	014249F	014249F	014249F
7-S	Side Panel Right Green	008068F	008068F	008068F	008068F
	Cool Dark Gray	014234F	014234F	014234F	014234F
8-S	Side Panel Left Green	008069F	008069F	008069F	008069F
	Cool Dark Gray	014235F	014235F	014235F	014235F
9-S	Side Panel Cap Green	008070F	008070F	008070F	008070F
	Cool Dark Gray	014236F	014236F	014236F	014236F
10-S	Rear Panel Kit (2 Pcs.) Green	005278F	005279F	005280F	005281F
	Cool Dark Gray	014237F	014238F	014239F	014240F
11-S	Sub-Base for Combustible Flooring	005182	005183	005184	005185
12-S	Outdoor Base Green	008127	008128	008129	008130
	Cool Dark Gray	014241	014242	014243	014244
13-S	J-Box Sheet Metal C2A	008061F	008061F	008061F	008061F
V	VENTING				
1-V	Draft Hood Kit	008084	008085	008148	008149
2-V	Flue Gas Spillage Temp Sensor 150°	006021F	006021F	N/A	N/A
3-V	Stack Adapter (Includes Outer Adapter Panel) Green	008895F	008896F	008897F	008898F
	Cool Dark Gray	014254F	014255F	014256F	014257F
4-V	"Pagoda" Top Green	007990	007991	007992	007993
	Cool Dark Gray	014258	014259	014260	014261
5-V	Vent Damper (Not Shown)	004711	004712	N/A	N/A

GAS VALVES*		PART NUMBER	H1				H5 & W2			
			182A	260A	330A	400A	182A	260A	330A	400A
1-G	MODULATING GAS VALVES									
	Valve 3/4 110-170 Nat	006504F					X	X	X	
	Valve 3/4 110-170 Pro	006506F					X	X	X	
	Valve 3/4 150-210 Nat	006505F	X	X	X					
	Valve 3/4 150-210 Pro	006507F	X	X	X					
	Valve 1" 110-170 Nat	006508F								X
	Valve 1" 110-170 Pro	006510F								X
	Valve 1" 150-210 Nat	006509F				X				
	Valve 1" 150-210 Pro	006511F				X				
	Solenoid Coil	013645F	X	X	X	X	X	X	X	X
	AUTOMATIC GAS VALVES (Atmospheric)		H3, W3 & WH3				H4, W1 & WH1			
	Valve - Gas On/Off (NAT) 601210	003900F					X	X	X	X
	Valve - Gas On/Off (PRO) 601211	004306F					X	X	X	X
	Valve - Gas Two Stage 3/4" (NAT) 601134 RS	004879F	X	X	X					
	Valve - Gas Two Stage 1" (NAT) 601136 RS	004881F				X				
	Valve - Gas Two Stage 3/4" (NAT) 601870 HW	012659F	X	X	X	X				
	Valve - Gas Two Stage (PRO) 601135 RS	004880F	X	X	X	X				
	Valve - Gas Two Stage 3/4" (PRO) 601871 HW	012660F	X	X	X	X				
2-G	AUTOMATIC GAS VALVES (Fan Assisted Low Nox)		H3, W3 & WH3				H4, W1 & WH1			
	Valve - Gas On/Off (NAT) 601683	010812F	X	X	X	X	X	X	X	X
	Valve - Gas On/Off (Solenoid Stage 2) 601666	008407F	X	X	X	X				

*For gas conversions, consult the factory.



Registered Quality Management System

www.raypak.com