

RAYPAK ILLUSTRATED PARTS LIST

**MODEL SIZE: RAYTHERM, HI DELTA, DELTA LTD., MVB & X-THERM
MODEL TYPE: H3, H4, H6 & W1**

DATE OF MANUFACTURE: 06-01-06 THROUGH CURRENT

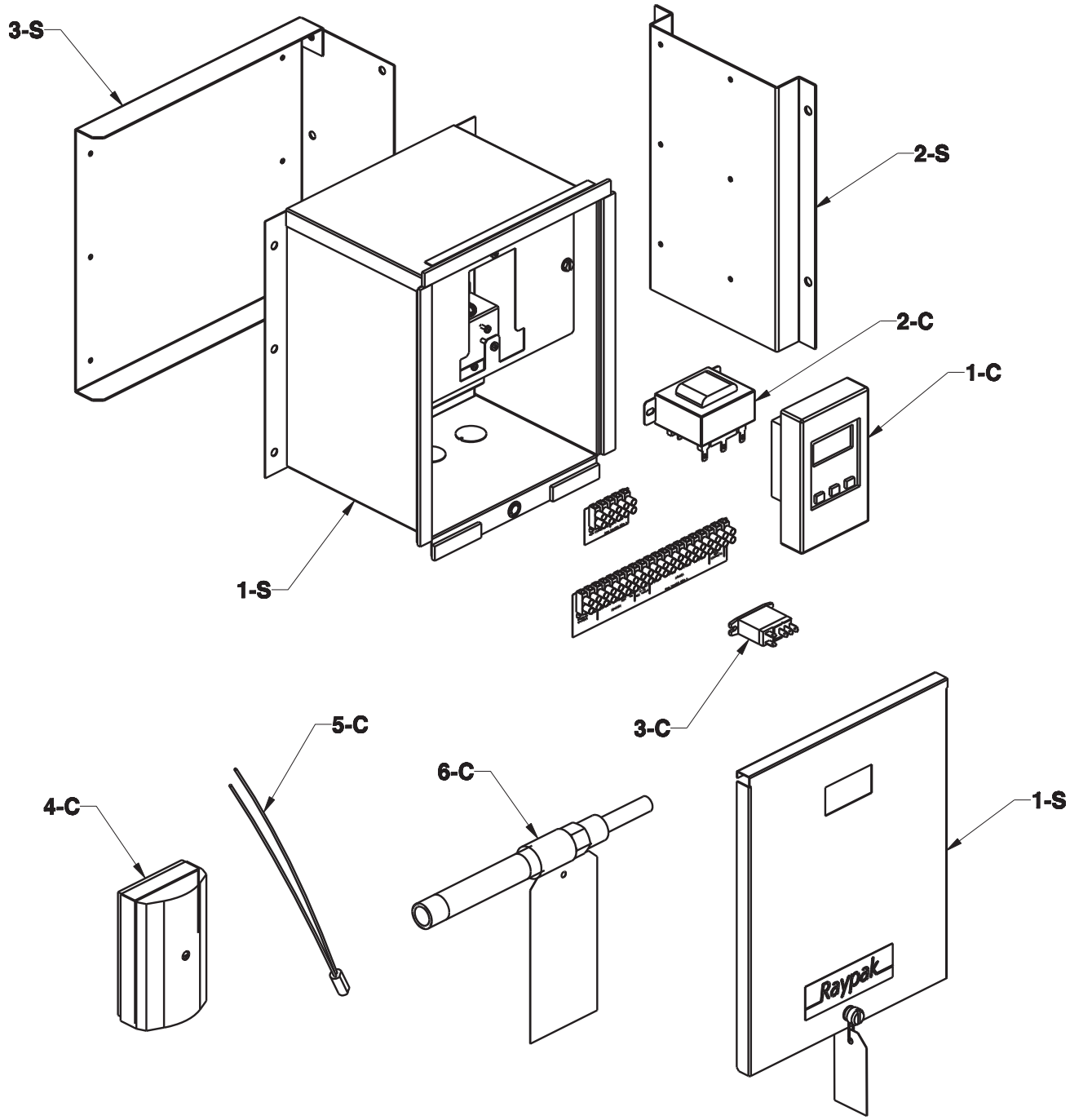
THE PARTS LISTED ARE FOR STANDARD EQUIPMENT FOR THIS MODEL TYPE. RAYPAK RESERVES THE RIGHT TO SUBSTITUTE, DELETE OR CHANGE ANY PART WITHOUT NOTIFICATION. THE ADDITION OF OPTIONS MAY ALSO CHANGE SOME OF THE PARTS. ORDER REPLACEMENT PARTS FROM ACTUAL HEATER COMPONENTS.



FOR DETAILED INSTRUCTIONS, SEE "HOW TO USE YOUR RAYPAK ILLUSTRATED PARTS LIST",
CATALOG NO. 9001.10



Raypak, Inc., 2151 Eastman Avenue, Oxnard, CA 93030
(805) 278-5300 Fax (800) 872-9725
Litho In U.S.A.
P/N 241407



Controllers Shipped Loose and Separate in Box Enclosure

DESCRIPTION		Raytherm		Hi Delta	Delta LTD	MVB		X-Therm
		514-1826	2100-4001	302-2342	399-2339	503-2003	504-2004	1005-2005
CONTROLS								
1-C	2-STAGE TEMPERATURE CONTROL	009861F	009861F	009861F	009861F	009861F	009861F	009861F
	4-STAGE TEMPERATURE CONTROL	009862F	009862F	009862F	009862F	009862F	009862F	009862F
	ON/OFF TEMPERATURE CONTROL	N/A	N/A	009729F	009729F	N/A	N/A	N/A
	MODULATING TEMPERATURE CONTROL	013293F	013293F	N/A	N/A	N/A	N/A	N/A
2-C	TRANSFORMER-115-24 VAC 50/60 Hz	013440F	013440F	013440F	013440F	013440F	013440F	013440F
3-C	RELAY-SPDT 24 VAC NO/NC	009039F	009039F	009039F	009039F	009039F	009039F	009039F
4-C	OUTDOOR AIR TEMPERATURE SENSOR	010786F	010786F	010786F	010786F	010786F	010786F	010786F
5-C	WATER TEMPERATURE SENSOR	010787F	010787F	010787F	010787F	010787F	010787F	010787F
6-C	WELL ASSY	004821F	004821F	004821F	004821F	004821F	004821F	004821F
SHEET METAL								
1-S	CONTROL BOX W/DOOR	013441F	013441F	013441F	013441F	013441F	013441F	013441F
2-S	ADAPTER PANEL	013442F	N/A	N/A	N/A	N/A	N/A	N/A
3-S	CONTROL MOUNTING BRACKET	013443F	013443F	N/A	N/A	N/A	N/A	N/A

Controllers Factory Installed on Unit

DESCRIPTION		Raytherm		Hi Delta	Delta LTD	MVB		X-Therm
		514-1826	2100-4001	302-2342	399-2339	503-2003	504-2004	1005-2005
CONTROLS								
1-C	2-STAGE TEMPERATURE CONTROL	N/A	N/A	009861F	N/A	N/A	N/A	N/A
	4-STAGE TEMPERATURE CONTROL	N/A	N/A	009862F	N/A	N/A	N/A	N/A
	ON/OFF TEMPERATURE CONTROL	N/A	N/A	009729F	N/A	N/A	012252F	N/A
	ON/OFF TEMPERATURE CONTROL (P & WHP)	N/A	N/A	N/A	N/A	N/A	012253F	012253F
	MODULATING TEMPERATURE CONTROL							
	Units manufactured prior to 1/21/08	N/A	N/A	N/A	N/A	011757F	012251F	N/A
	Units manufactured from to 1/21/08	N/A	N/A	N/A	N/A	012407F	012251F	012407F



www.raypak.com