

COMMERCIAL
MODEL: RAYTHERM 926 THRU 1826

CATALOG NO. 9300.50
 Effective: 09-01-17
 Replaces: 07-15-17

RAYPAK REPLACEMENT PARTS

MODEL SIZE: 926, 962, 1083, 1125, 1178, 1223, 1287, 1336, 1414, 1468, 1571, 1631, 1758 & 1826
MODEL TYPE: H, W, WH, N, NH, R &RH

DATE OF MANUFACTURE: 09-01-82 THROUGH CURRENT EXCEPT AS NOTED.
 MODEL TYPE: H6 -11-01-84 THROUGH 12-31-08.
 MODEL TYPE: R - BUILT FOR MODELS 926 THROUGH 1125 ONLY.
 MODEL TYPE: H4 - 03-01-87 THROUGH CURRENT.
 MODEL TYPE: W3 - 01-01-99 THROUGH CURRENT.
 MODEL TYPE: WH1, WH2, WH3 - 01-01-01 THROUGH CURRENT
 MODEL TYPE: NH & RH - 01-01-01 THROUGH 1-1-05
 MODEL TYPE: N & R - 09-01-82 THROUGH 12-31-01

THE PARTS LISTED ARE FOR STANDARD EQUIPMENT FOR THIS MODEL TYPE. RAYPAK RESERVES THE RIGHT TO SUBSTITUTE, DELETE OR CHANGE ANY PART WITHOUT NOTIFICATION. THE ADDITION OF OPTIONS MAY ALSO CHANGE SOME OF THE PARTS. ORDER REPLACEMENT PARTS FROM ACTUAL HEATER COMPONENTS.



MODEL TYPE DESIGNATION-NEW MODEL TYPES* VS OLD MODEL TYPES.

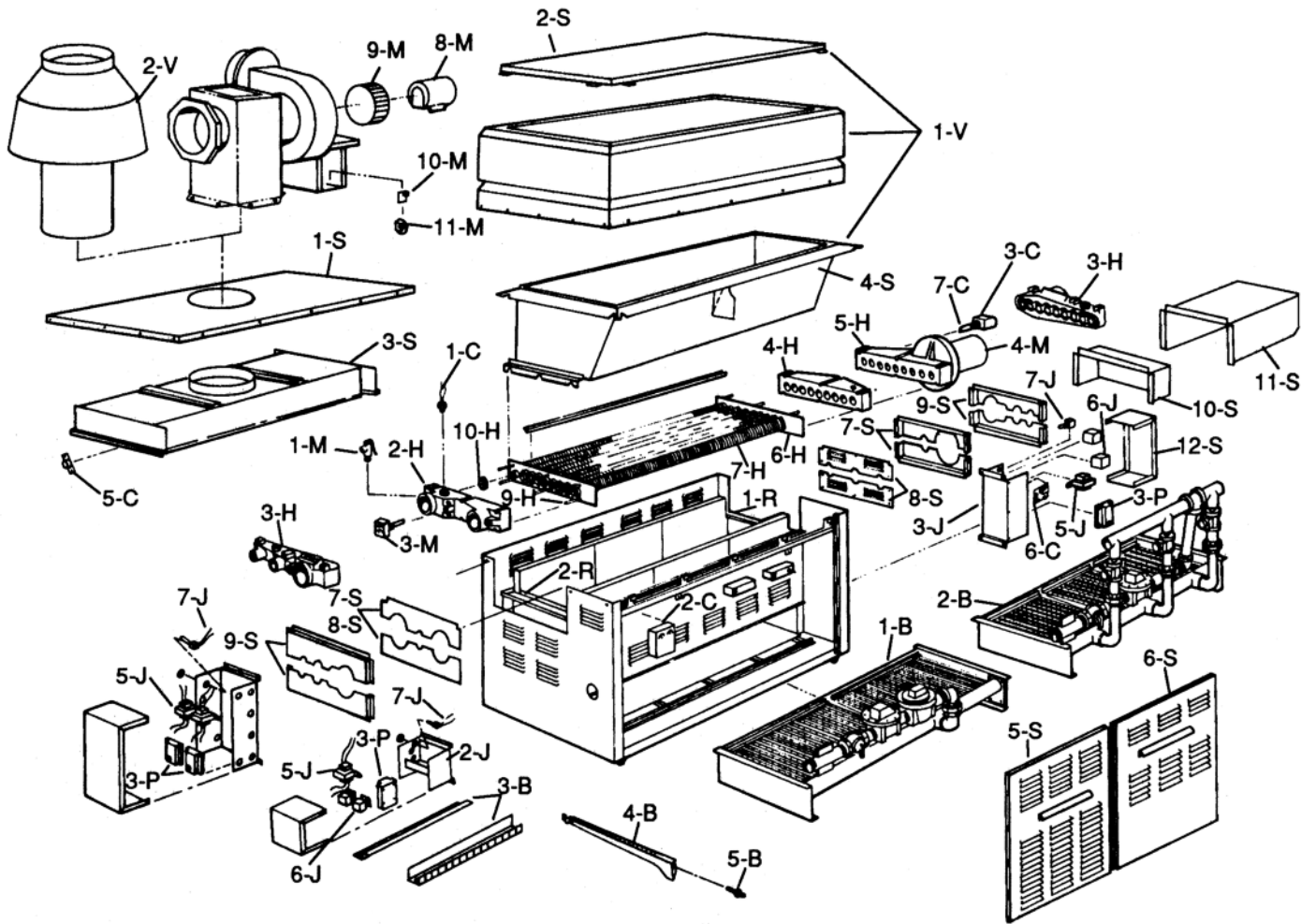
NEW	OLD	NEW	OLD
H1	T	H6	Tx
H2	Ta	W1	WT
H3	Tb	W2	THWS
H4	Tc (Released 3-1-87)	N	TIP
H5	Td	R	TIPR

*Sub-Numbers used to distinguish between numerous old models types with condensed new model types only.

FOR DETAILED INSTRUCTIONS, SEE "HOW TO USE YOUR RAYPAK ILLUSTRATED PARTS LIST"
 CATALOG NO. 9001.10



Raypak, Inc., 2151 Eastman Avenue, Oxnard, CA 93030
 (805) 278-5300 Fax (800) 872-9725
 Litho In U.S.A.



HONEYWELL IID PILOT

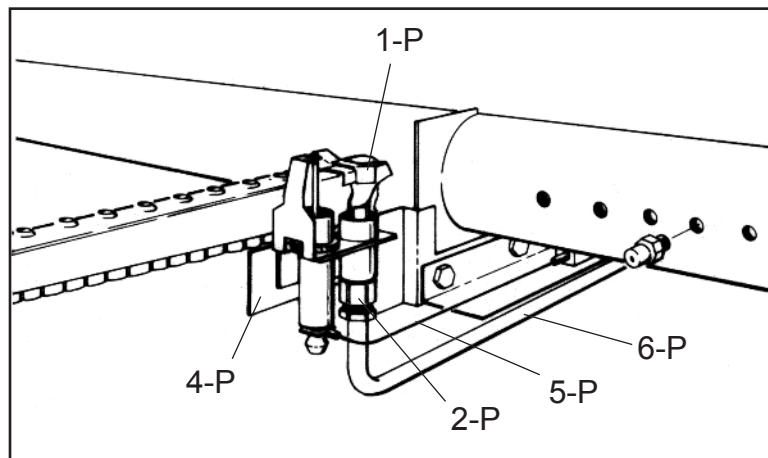


FIG # 9293

CALL OUT	DESCRIPTION	962 [926]	1125 [1083]	1223 [1178]	1336 [1287]	1468 [1414]	1631 [1571]	1826 [1758]
J	J BOX							
1-J	J Box Nat IID (H1, H5, WH, W2, N, R)	002747F	002747F	002747F	002747F	002747F	002747F	002747F
	J Box Pro IID Lockout (H1, H5, WH, W2, N, R)	002751F	002751F	002751F	002751F	002751F	002751F	002751F
2-J	J Box Nat IID (H2, H6)	002409F	002409F	002409F	002409F	002409F	002409F	002409F
	J Box Nat IID (H3, WH, W1)	002749F	002749F	002749F	002749F	002749F	002749F	002749F
	J Box Pro IID Lockout (H2, H6)	002229F	002229F	002229F	002229F	002229F	002229F	002229F
	J Box Pro IID Lockout (H3, WH, W1)	002230F	002230F	002230F	002230F	002230F	002230F	002230F
3-J	J Box Nat IID (H1, H5, WH, W2, N & R) HW	002225F	002225F	002225F	002225F	002225F	002225F	002225F
	J Box Nat IID Robertshaw (N & R)	002227F	002227F	002227F	002227F	002227F	002227F	002227F
	J Box Nat IID/TTD (H1, H5 & W2, WH) HW	004811F	004811F	004811F	004811F	004811F	004811F	004811F
	J Box Nat IID/ TTD Robertshaw (H1, H5, W2, WH)	004812F	004812F	004812F	004812F	004812F	004812F	004812F
	J Box Pro IID Lockout (H1,H5,W2, WH, N & R) HW	002228F	002228F	002228F	002228F	002228F	002228F	002228F
	J Box Pro IID/Lock Robertshaw (N & R)	002230F	002230F	002230F	002230F	002230F	002230F	002230F
	J Box Pro IID/TTD Lockout (H1, H5 & W2, WH)	004813F	004813F	004813F	004813F	004813F	004813F	004813F
	J Box Pro IID TTD Robertshaw (H1, H5, W2, WH)	004814F	004814F	004814F	004814F	004814F	004814F	004814F
	J Box Nat IID (H3, H4, W1, WH)	002227F	002227F	002227F	002227F	002227F	002227F	002227F
	J Box Nat IID/TTD (H3, H4 & W1, WH)	004812F	004812F	004812F	004812F	004812F	004812F	004812F
	J Box IID/TTD Lockout (W3, WH)	006653F	006653F	006653F	006653F	006653F	006653F	006653F
	J Box Pro IID Lockout (H3, H4, W1, WH)	002230F	002230F	002230F	002230F	002230F	002230F	002230F
	J Box Pro IID/TTD Lockout (H3, H4, W1, WH)	004814F	004814F	004814F	004814F	004814F	004814F	004814F
	J Box Nat IID (H2, H6 W/B3 or B5)	002409F	002409F	002409F	002409F	002409F	002409F	002409F
	J Box Pro IID Lockout (H2, H6 W/B3 or B5)	002229F	002229F	002229F	002229F	002229F	002229F	002229F
4-J	J Box C2 Nat (H1, W2, WH)	N/A	N/A	N/A	N/A	N/A	N/A	N/A
	J Box C2 Nat Robertshaw (H1, WH, W2)	N/A	N/A	N/A	N/A	N/A	N/A	N/A
	J Box C2 Nat(H2,H3,H4,H6 w/B3 or B5,W1, WH)	N/A	N/A	N/A	N/A	N/A	N/A	N/A
	J Box C2 Nat (H6 for B6000)	N/A	N/A	N/A	N/A	N/A	N/A	N/A
	J Box IRI Nat	N/A	N/A	N/A	N/A	N/A	N/A	N/A
	J Box IRI/TTD Nat (H2, W1, WH)	N/A	N/A	N/A	N/A	N/A	N/A	N/A
	J Box IRI/TTD Nat (H3)	N/A	N/A	N/A	N/A	N/A	N/A	N/A
	J Box IRI/TTD (W3, WH)	N/A	N/A	N/A	N/A	N/A	N/A	N/A
	J Box IRI Nat (H6 for B6000)	N/A	N/A	N/A	N/A	N/A	N/A	N/A
	J Box IRI Nat (N & R with Mech Mod Valve)	N/A	N/A	N/A	N/A	N/A	N/A	N/A
	J Box IRI Nat Robertshaw (N & R)	N/A	N/A	N/A	N/A	N/A	N/A	N/A
5-J	Transformer 40 VA	006533F	006533F	006533F	006533F	006533F	006533F	006533F
	Transformer 50 VA	006533F	006533F	006533F	006533F	006533F	006533F	006533F
	Transformer 100 VA	N/A	N/A	N/A	N/A	007373F	007373F	007373F
	Spark Generator C2 & IRI (Not Shown)	007361F	007361F	007361F	007361F	007361F	007361F	007361F
6-J	Relay SPST 24V NO	007377F	007377F	007377F	007377F	007377F	007377F	007377F
	Relay DPDT 24V	008090F	008090F	008090F	008090F	008090F	008090F	008090F
	Relay SPST 120V	008145F	008145F	008145F	008145F	008145F	008145F	008145F
	Relay DPDT 120V	013243F	013243F	013243F	013243F	013243F	013243F	013243F
	Relay SPDT C2 (Not Shown)	650117	650117	650117	650117	650117	650117	650117
	Relay DPDT IRI (Not Shown)	N/A	N/A	N/A	N/A	N/A	N/A	N/A
7-J	Toggle Switch	008079F	008079F	008079F	008079F	008079F	008079F	008079F
M	MISCELLANEOUS							
1-M	PRV 30 PSI	007218F	007218F	007748F	007748F	007748F	007748F	007748F
	PRV 45 PSI	007346F	007221F	007221F	007221F	007221F	007751F	007751F
	PRV 60 PSI	007222F	007222F	007222F	007222F	007753F	007753F	007753F
	PRV 125 PSI	007224F	007224F	007224F	007224F	007224F	007224F	007224F
	PRV 125 PSI (WH & NH)	007224F	007224F	007224F	007224F	007224F	007224F	007758F
2-M	Deliming Kit	052870F	052870F	052870F	052870F	052870F	052870F	052870F
3-M	T & P Gauge 0-90 PSI	007205F	007205F	007205F	007205F	007205F	007205F	007205F
	T & P Gauge 0-200 PSI	007399F	007399F	007399F	007399F	007399F	007399F	007399F
4-M	Integral Pump 4-1/4 Impeller*	004844F	004844F	004844F	004844F	004844F	004844F	004844F
	Integral Pump 4.7 Impeller*	004845F	004845F	004845F	004845F	004845F	004845F	004845F
5-M	Mixing Valve (R)	N/A	N/A					
6-M	Thermometer (R)	600133	600133					
7-M	Tank T & P Gauge (R)	500569	500569					
8-M	Power Vent Motor	951105F	951105F	951105F	951112F	951112F	951112F	951112F
9-M	Power Vent Wheel	951106F	951106F	951106F	951113F	951113F	951113F	951113F
10-M	Power Vent PC Board	005503F	005503F	005503F	005503F	005503F	005503F	005503F
11-M	Power Vent Pressure Switch	601212	601212	601212	601212	601212	601212	601212
12-M	Touch-up Paint							
	Green	750125	750125	750125	750125	750125	750125	750125
	Dark Gray	750126	750126	750126	750126	750126	750126	750126
	Cool Dark Gray	750256	750256	750256	750256	750256	750256	750256
R	REFRACTORY							
1-R	Refractory Kit	001002F	001003F	001004F	001005F	001006F	001511F	001512F
2-R	Refractory Retainer Kit	000987F	000988F	000989F	000990F	000991F	001518F	001519F

* For individual pump parts see separate pump parts IPL 9300.100

CALL OUT	DESCRIPTION	962 [926]	1125 [1083]	1223 [1178]	1336 [1287]	1468 [1414]	1631 [1571]	1826 [1758]
P	PILOT							
1-P	Pilot Nat. IID	002234F	002234F	002234F	002234F	002234F	002234F	002234F
	Pilot Pro. IID	002235F	002235F	002235F	002235F	002235F	002235F	002235F
	Pilot Nat. C2 & IRI	002236F	002236F	002236F	002236F	002236F	002236F	002236F
2-P	Pilot Orifice Nat. IID	600552	600552	600552	600552	600552	600552	600552
	Pilot Orifice Pro. IID	600894	600894	600894	600894	600894	600894	600894
	Pilot Orifice C2 & IRI	600552	600552	600552	600552	600552	600552	600552
3-P	Ignition Control Nat. IID	004817B	004817B	004817B	004817B	004817B	004817B	004817B
	Ignition Control Pro. IID/Lockout	004818B	004818B	004818B	004818B	004818B	004818B	004818B
	Ignition Control C2A, IRI, G13	007359F	007359F	007359F	007359F	007359F	007359F	007359F
	Ignition Control C2A, IRI, G13 (Complete)	008702F	008702F	008702F	008702F	008702F	008702F	008702F
	Base Ignition Control	008701F	008701F	008701F	008701F	008701F	008701F	008701F
8-P	Remote Keyboard Display Module C2A (Not Shown)	015399F	015399F	015399F	015399F	015399F	015399F	015399F
4-P	Pilot Mounting Bracket	004728F	004728F	004728F	004728F	004728F	004728F	004728F
5-P	Ignitor Wire IID	016514F	016514F	016514F	016514F	016514F	016514F	016514F
6-P	Pilot Tube	400013	400013	400013	400013	400013	400013	400013
7-P	Hi Tension Wire	002663B	002663B	002663B	002663B	002663B	002663B	002663B
	Amplifier Flame Rectification C2A	008092F	008092F	008092F	008092F	008092F	008092F	008092F
S	SHEETMETAL							
1-S	Jacket top Indoor	002293F	002294F	002295F	002296F	002297F	002298F	002299F
2-S	Flat Top Assy Outdoor	002312F	002313F	002314F	002315F	002316F	002317F	002318F
3-S	Flue Collector Indoor	002248F	002244F	002249F	002250F	002251F	002252F	002253F
4-S	Flue Collector Outdoor	002258F	002259F	002260F	002261F	002262F	002263F	002264F
5-S	Door Assy Left Indoor	002265F	002266F	002267F	002268F	002269F	002270F	002271F
	Door Assy Left Outdoor	002279F	002280F	002281F	002282F	002283F	002284F	002285F
	Door Assy w/Side Latch Indoor #	005337F	005338F	005339F	005340F	005341F	005342F	005343F
6-S	Door Assy Right Indoor	002272F	002273F	002274F	002275F	002276F	002277F	002278F
	Door Assy Right Outdoor	002286F	002287F	002288F	002289F	002290F	002291F	002292F
	Door Assy w/Side Latch Outdoor #	005330F	005331F	005332F	005333F	005334F	005335F	005336F
7-S	Access Panel Group 2" w/Pump	002302F	002302F	002302F	002302F	002302F	002302F	002302F
8-S	Access Panel Group 2 1/2" w/Pump	002304F	002304F	002304F	002304F	002304F	002304F	002304F
	Access Panel Group 2 1/2"	002303F	002303F	002303F	002303F	002303F	002303F	002303F
9-S	Access Panel Group 3"	003539F	003539F	003539F	003539F	003539F	003539F	003539F
10-S	Control Cover	002672F	002672F	002672F	002672F	002672F	002672F	002672F
11-S	Pump Cover	002671F	002671F	002671F	002671F	002671F	002671F	002671F
12-S	J Box Sheetmetal	002668F	002668F	002668F	002668F	002668F	002668F	002668F
	J Box Sheetmetal C2A	002237F	002237F	002237F	002237F	002237F	002237F	002237F
13-S	Combustible Floor Shield (Not Shown)	003631	003632	003633	003634	003635	003636	003637
14-S	Low Water Cutt Off Control Cover	016629F	016629F	016629F	016629F	016629F	016629F	016629F
V	VENTING							
1-V	Stackless Top Kit (Outdoor)	002305F	002306F	002307F	002308F	002309F	002310F	002311F
2-V	Draft Hood (Indoor)	006484	006485	006485	006486	006486	006486	006487

Door Manufactured From 1995 To Current

B-3 SERVICE REPLACEMENT PARTS	PART
B3 (W902) CONTROLLER	NO
Outdoor Reset Controller (W902)	N/A
Outdoor Temp Sensor	N/A
Water Sensor	N/A
Motor (M944J) (B3-1)	N/A
Motor (M944J) (B3-2)	N/A
Potentiometer	N/A
Auxiliary End Switch (B3-1)	N/A
Auxiliary End Switch (B3-2)	N/A
Actuator	600449
Relay-DPDT 120V	008145F
B3A (W964) AQUATROL CONTROLLER	
Outdoor Reset Controller	N/A
Outdoor Temp Sensor	N/A
Water Sensor	N/A
Alarm Bell	005642F
Silence Switch	N/A
Relay SPDT 120V Idec	N/A
Relay DPDT 120V Idec	N/A
Relay SPDT 120V	N/A
Relay SPDT 24V	N/A
Relay DPDT 120V	N/A
Lead Boiler Switch	N/A
Main On/Off Switch	N/A
Transformer	N/A
B3C (ZG50) CENTRA CONTROLLER	
Outdoor Reset Controller	N/A
Control Module TH 53	N/A
Control Module ZF1	N/A
Outdoor Temp Sensor	N/A
Water Sensor	N/A
Alarm Bell	005642F
Silence Switch	N/A
Relay SPDT 120V Idec	N/A
Relay DPDT 120V Idec	N/A
Relay SPDT 24V Idec	N/A
Relay 3PDT 24V Idec (3 Boiler System)	N/A
Relay 4PDT 24V Idec (3 Boiler System)	N/A
Relay 4PDT 120V Idec (3 Boiler System)	N/A
Relay SPDT 24V (Alarm)	008090F
Lead Boiler Switch (2 Boilers)	N/A
Lead Boiler Switch (3 Boilers)	N/A
Transformer	006533F
Main On/Off Switch	N/A

For B6000 Replacement Parts See IPL 9300.84

GAS VALVE CONNECTION SIZE MAY BE DIFFERENT THAN INDICATED ON CHART.
SEE BOILER CONTROLS FOR ACTUAL SIZE REQUIRED FOR REPLACEMENT.

CALL OUT	DESCRIPTION	PART NUMBER	H1							H2						
			962 926	1125 1083	1223 1178	1336 1287	1468 1414	1631 1571	1826 1758	962 926	1125 1083	1223 1178	1336 1287	1468 1414	1631 1571	1826 1758
G	GAS VALVES															
	Manual "B" Valve 1/8"	007195F	1	1	1	1	1	1	1	1	1	1	1	1	1	1
	Manual "A" Valve 1"	007189F	1	1	1											
	Manual "A" Valve 1 1/4"	007190F				1	1	1	1							
	Manual "A" Valve 1 1/2" (Nat. Only)	600881										1	1	1	1	1
*	Lube Cock Valve 1 1/4"	600325								2						
*	Lube Cock Valve 1 1/2"	600326									2	2	2	2	2	2
*	Lube/Cock Valve 2"	600327														2
	Pressure Regulator Nat. 3/8"	004060F	1	1	1	1	1	1	1	1	1	1	1	1	1	1
	Pressure Regulator Pro. 3/8"	004061F	1	1	1	1	1	1	1	1	1	1	1	1	1	1
	Pressure Regulator Nat. 1 1/4"	600035	1	1	1	1	1	1								
	Pressure Regulator Pro. 1 1/4"	003571F	1	1	1	1	1	1								
*	Pressure Regulator Nat. 1 1/2"	600044									1	1	1	1		
*	Pressure Regulator Pro. 1 1/2"	003617F									1	1	1	1		
	Pressure Regulator Nat. 2"	600036							1	1					1	1
	Pressure Regulator Pro 2"	003604F							1	1					1	1
*	Pilot Gas Valve All Gases	600154								1	1	1	1	1	1	1
	Pilot Gas Valve All Gases	600562	2	2	2	2	2	2	2	1	1	1	1	1	1	1
	Auto On/Off Valve All Gases 1"	004093F	1													
	Auto On/Off Valve All Gases 1 1/4"	004094F		1	1	1	1	1		1	1	1	1	1	1	1
	Auto On/Off/Valve All Gases 1 1/2"	004095F														
	Mod. Valve 120F-240F 1" HW	N/A	3	3	3	3	4	4	4							
	Mod. Valve 85F-210F 1" HW	N/A														
	Mod. Valve 140 F Max HW	N/A														
	Mod. Valve 110F-170F 1" HW	N/A														
	Mod. Valve 150F-210F Nat. HW	N/A														
	Mod. Valve 110F-170F Nat. RS	006508F														
	Mod. Valve 110F-170F Pro. RS	006510F														
	Mod. Valve 150F-210F Nat. RS	006509F	2	2	2	2	3	3	3							
	Mod. Valve 150F-210F Pro. RS	006511F	2	2	2	2	3	3	3							
	Solenoid Coil RS	013645F	2	2	2	2	3	3	3							
	Comb. Valve 2-Stage Nat. 1"	600655														
	Comb. Valve 2-Stage Pro. 1"	601094														
	Comb. Valve 2-Stage Nat. 1 1/4"	600656														
	Comb. Valve 2-Stage Pro. 1 1/4"	601095														
	Comb. Valve 2-Stage Nat. 1 1/2"	600850														
*	Actuator, 2-Stage	600458														
*	Actuator, On-Off	011908F								1	1	1	1	1	1	1
*	Actuator. Mod	600449								1	1	1	1	1	1	1
*	Actuator. Mod B3/B6000 (600900)	N/A														
*	Gas Valve Body 1"	014014F								1						
*	Gas Valve Body 1 1/4"	014015F								1	1	1				
*	Gas Valve Body 1 1/2"	600452									1	1	2	1	1	1
*	Gas Valve Body 2"	600453											1	1	1	1
*	Gas Vent Valve All Gases	011913F								1	1	1	1	1	1	1
*	Gas Pressure Switch - Low	007187F								1	1	1	1	1	1	1
*	Gas Pressure Switch - High	007188F								1	1	1	1	1	1	1

*REQUIRED FOR IRI MODELS

GAS VALVE CONNECTION SIZE MAY BE DIFFERENT THAN INDICATED ON CHART.
SEE BOILER CONTROLS FOR ACTUAL SIZE REQUIRED FOR REPLACEMENT.

CALL OUT	DESCRIPTION	PART NUMBER	H3							H5						
			962 926	1125 1083	1223 1178	1336 1287	1468 1414	1631 1571	1826 1758	962 926	1125 1083	1223 1178	1336 1287	1468 1414	1631 1571	1826 1758
G	GAS VALVES															
	Manual "B" Valve 1/8"	007195F	1	1	1	1	1	1	1	1	1	1	1	1	1	1
	Manual "A" Valve 1"	007189F	1	1	1					1	1	1				
	Manual "A" Valve 1 1/4"	007190F				1	1	1	1			1	1	1	1	
	Manual "A" Valve 1 1/2" (Nat. Only)	600881							1							
*	Lube Cock Valve 1 1/4"	600325	2													
*	Lube Cock Valve 1 1/2"	600326		2	2	2	2	2	2							
*	Lube/Cock Valve 2"	600327							2							
	Pressure Regulator Nat. 3/8"	004060F	1	1	1	1	1	1	1	1	1	1	1	1	1	1
	Pressure Regulator Pro. 3/8"	004061F	1	1	1	1	1	1	1	1	1	1	1	1	1	1
	Pressure Regulator Nat. 1 1/4"	600035	1							1	1	1	1	1		
	Pressure Regulator Pro. 1 1/4"	003571F	1							1	1	1	1	1		
*	Pressure Regulator Nat. 1 1/2"	600044		1	1	1	1	1	1							
*	Pressure Regulator Pro. 1 1/2"	003617F		1	1	1	1	1	1							
	Pressure Regulator Nat. 2"	600036													1	1
	Pressure Regulator Pro 2"	003604F								1					1	1
*	Pilot Gas Valve All Gases	600154	1	1	1	1	1	1	1							
	Pilot Gas Valve All Gases	600562	1	1	1	1	1	1	1	2	2	2	2	2	2	2
	Auto On/Off Valve All Gases 1"	004093F			1					1						
	Auto On/Off Valve All Gases 1 1/4"	004094F	1	1	1	1	1	1	1		1	1	1	1		
	Auto On/Off/Valve All Gases 1 1/2"	004095F													1	1
	Mod. Valve 120F-240F 1" HW	N/A														
	Mod. Valve 85F-210F 1" HW	N/A														
	Mod. Valve 140 F Max HW	N/A								3	3	3	3	4	4	4
	Mod. Valve 110F-170F 1" HW	N/A														
	Mod. Valve 150F-210F Nat. HW	N/A														
	Mod. Valve 110F-170F Nat. RS	006508F								2	2	2	2	3	3	3
	Mod. Valve 110F-170F Pro. RS	006510F								2	2	2	2	3	3	3
	Mod. Valve 150F-210F Nat. RS	006509F														
	Mod. Valve 150F-210F Pro. RS	006511F														
	Solenoid Coil RS	013645F								2	2	2	2	3	3	3
	Comb. Valve 2-Stage Nat. 1"	600655	1													
	Comb. Valve 2-Stage Pro. 1"	601094	1	1	1	1	1	1								
	Comb. Valve 2-Stage Nat. 1 1/4"	600656		1	1	1	1	1								
	Comb. Valve 2-Stage Pro. 1 1/4"	601095														
	Comb. Valve 2-Stage Nat. 1 1/2"	600850														
*	Actuator, 2-Stage	600458	1	1	1	1	1	1	1							
*	Actuator, On-Off	011908F	1	1	1	1	1	1	1							
*	Actuator. Mod	600449														
*	Actuator. Mod B3/B6000 (600900)	N/A														
*	Gas Valve Body 1"	014014F	1													
*	Gas Valve Body 1 1/4"	014015F	1	1	1											
*	Gas Valve Body 1 1/2"	600452		1	1	2	1	1	1							
*	Gas Valve Body 2"	600453					1	1	1							
*	Gas Vent Valve All Gases	011913F	1	1	1	1	1	1	1							
*	Gas Pressure Switch - Low	007187F	1	1	1	1	1	1	1							
*	Gas Pressure Switch - High	007188F	1	1	1	1	1	1	1							

*REQUIRED FOR IRI MODELS

GAS VALVE CONNECTION SIZE MAY BE DIFFERENT THAN INDICATED ON CHART.
SEE BOILER CONTROLS FOR ACTUAL SIZE REQUIRED FOR REPLACEMENT.

CALL OUT	DESCRIPTION	PART NUMBER	H6						
			962 926	1125 1083	1223 1178	1336 1287	1468 1414	1631 1571	1826 1758
G	GAS VALVES								
	Manual "B" Valve 1/8"	007195F	1	1	1	1	1	1	1
	Manual "A" Valve 1"	007189F							
	Manual "A" Valve 1 1/4"	007190F	1	1	1	1	1	1	1
	Manual "A" Valve 1 1/2" (Nat. Only)	600881							
*	Lube Cock Valve 1 1/4"	600325	2						
*	Lube Cock Valve 1 1/2"	600326		2	2	2	2	2	
*	Lube/Cock Valve 2"	600327							2
	Pressure Regulator Nat. 3/8"	004060F	1	1	1	1	1	1	1
	Pressure Regulator Pro. 3/8"	004061F	1	1	1	1	1	1	1
	Pressure Regulator Nat. 1 1/4"	600035	1	1	1	1	1		
	Pressure Regulator Pro. 1 1/4"	003571F	1	1	1	1	1		
*	Pressure Regulator Nat. 1 1/2"	600044							
*	Pressure Regulator Pro. 1 1/2"	003617F							
	Pressure Regulator Nat. 2"	600036						1	1
	Pressure Regulator Pro 2"	003604F						1	1
*	Pilot Gas Valve All Gases	600154	1	1	1	1	1	1	1
	Pilot Gas Valve All Gases	600562	1	1	1	1	1	1	1
	Auto On/Off Valve All Gases 1"	004093F							
	Auto On/Off Valve All Gases 1 1/4"	004094F	1	1	1	1	1	1	1
	Auto On/Off/Valve All Gases 1 1/2"	004095F							
	Mod. Valve 120F-240F 1" HW	N/A							
	Mod. Valve 85F-210F 1" HW	N/A							
	Mod. Valve 140 F Max HW	N/A							
	Mod. Valve 110F-170F 1" HW	N/A							
	Mod. Valve 150F-210F Nat. HW	N/A							
	Mod. Valve 110F-170F Nat. RS	006508F							
	Mod. Valve 110F-170F Pro. RS	006510F							
	Mod. Valve 150F-210F Nat. RS	006509F							
	Mod. Valve 150F-210F Pro. RS	006511F							
	Comb. Valve 2-Stage Nat. 1"	600655							
	Comb. Valve 2-Stage Pro. 1"	601094							
	Comb. Valve 2-Stage Nat. 1 1/4"	600656							
	Comb. Valve 2-Stage Pro. 1 1/4"	601095							
	Comb. Valve 2-Stage Nat. 1 1/2"	600850							
*	Actuator, 2-Stage	600458							
*	Actuator, On-Off	011908F	1	1	1	1	1	1	1
*	Actuator, Mod	600449							
*	Actuator, Mod B3/B6000 (600900)	N/A	1	1	1	1	1	1	1
*	Gas Valve Body 1"	014014F	1						
*	Gas Valve Body 1 1/4"	014015F	1	1	1				
*	Gas Valve Body 1 1/2"	600452		1	1	2	1	1	1
*	Gas Valve Body 2"	600453					1	1	1
*	Gas Vent Valve All Gases	011913F	1	1	1	1	1	1	1
*	Gas Pressure Switch - Low	007187F	1	1	1	1	1	1	1
*	Gas Pressure Switch - High	007188F	1	1	1	1	1	1	1

*REQUIRED FOR IRI MODELS

GAS VALVE CONNECTION SIZE MAY BE DIFFERENT THAN INDICATED ON CHART.
SEE BOILER CONTROLS FOR ACTUAL SIZE REQUIRED FOR REPLACEMENT.

CALL OUT	DESCRIPTION	PART NUMBER	W1, H4, WH1							W2, WH2						
			962	1125	1223	1336	1468	1631	1826	962	1125	1223	1336	1468	1631	1826
			926	1083	1178	1287	1414	1571	1758	926	1083	1178	1287	1414	1571	1758
G	GAS VALVES															
	Manual "B" Valve 1/8"	007195F	1	1	1	1	1	1	1	1	1	1	1	1	1	1
	Manual "A" Valve 1"	007189F	1	1	1					1	1	1				
	Manual "A" Valve 1 1/4"	007190F				1	1	1	1			1	1	1	1	
	Manual "A" Valve 1 1/2" (Nat. Only)	600881							1							
*	Lube Cock Valve 1 1/4	600325														
*	Lube Cock Valve 1 1/2	600326														
*	Lube/Cock Valve 2	600327														
	Pressure Regulator Nat. 3/8"	004060F	1	1	1	1	1	1	1	1	1	1	1	1	1	1
	Pressure Regulator Pro. 3/8"	004061F	1	1	1	1	1	1	1	1	1	1	1	1	1	1
	Pressure Regulator Nat. 1 1/4"	600035								1	1	1	1	1		
	Pressure Regulator Pro. 1 1/4"	003571F								1	1	1	1	1		
*	Pressure Regulator Nat. 1 1/2	600044														
*	Pressure Regulator Pro. 1 1/2	003617F														
	Pressure Regulator Nat. 2"	600036													1	1
	Pressure Regulator Pro 2"	003604F													1	1
*	Pilot Gas Valve All Gases	600154														
	Pilot Gas Valve All Gases	600562	1	1	1	1	1	1	1	2	2	2	2	2	2	2
	Auto On/Off Valve All Gases 1"	004093F								1						
	Auto On/Off Valve All Gases 1 1/4"	004094F	1	1	1	1	1	1	1		1	1	1	1		
	Auto On/Off/Valve All Gases 1 1/2"	004095F													1	1
	Mod. Valve 120F - 240F 1" HW	N/A														
	Mod. Valve 85F-210F 1" HW	N/A								3	3	3	3	4	4	4
	Mod. Valve 140 F Max HW	N/A														
	Mod. Valve 110F-170F 1" HW	N/A														
	Mod. Valve 150F-210F 1" HW	N/A														
	Mod. Valve 110F-170F Nat. RS	006508F								2	2	2	2	3	3	3
	Mod. Valve 110F-170F Pro. RS	006510F								2	2	2	2	3	3	3
	Mod. Valve 150F-210F Nat. RS	006509F														
	Mod. Valve 150F-210F Pro. RS	006511F														
	Solenoid Coil RS	013645F								2	2	2	2	3	3	3
	Comb. Valve Nat. 1"	600631	1													
	Comb Valve Pro. 1"	600692	1													
	Comb. Valve Nat. 1 1/4"	600632		1	1	1	1	1								
	Comb. Valve Pro. 1 1/4"	600693							1	1						
	Comb. Valve Nat. 1 1/2"	600633							1							
*	Actuator, On-Off	011908F	1	1	1	1	1	1	1							
*	Actuator. Mod	600449														
*	Actuator. Mod B3/B6000 (600900)	N/A														
*	Gas Valve Body 1 1/4"	014015F														
*	Gas Valve Body 1 1/2"	600452														
*	Gas Valve Body 2"	600453														
*	Gas Vent Valve All Gases	011913F														
*	Gas Pressure Switch - Low	007187F														
*	Gas Pressure Switch - High	007188F														

*REQUIRED FOR IRI MODELS

GAS VALVE CONNECTION SIZE MAY BE DIFFERENT THAN INDICATED ON CHART.
SEE BOILER CONTROLS FOR ACTUAL SIZE REQUIRED FOR REPLACEMENT.

CALL OUT	DESCRIPTION	PART NUMBER	N, NH							R, RH	
			962 926	1125 1083	1223 1178	1336 1287	1468 1414	1631 1571	1826 1758	962 926	1125 1083
G	GAS VALVES										
	Manual "B" Valve 1/8"	007195F	1	1	1	1	1	1	1	1	1
	Manual "A" Valve 1"	007189F	1	1	1					1	1
	Manual "A" Valve 1 1/4"	007190F				1	1	1	1		
	Manual "A" Valve 1 1/2" (Nat. Only)	600881									
*	Lube Cock Valve 1 1/4"	600325	2							2	
*	Lube Cock Valve 1 1/2"	600326		2	2	2	2	2	2		2
*	Lube/Cock Valve 2"	600327							2		
	Pressure Regulator Nat. 3/8"	004060F	1	1	1	1	1	1	1	1	1
	Pressure Regulator Pro. 3/8"	004061F	1	1	1	1	1	1	1	1	1
	Pressure Regulator Nat. 1 1/4"	600035	1	1	1	1	1			1	
	Pressure Regulator Pro. 1 1/4"	003571F	1	1	1	1	1			1	
*	Pressure Regulator Nat. 1 1/2"	600044									
*	Pressure Regulator Pro. 1 1/2"	003617F									
	Pressure Regulator Nat. 2"	600036							1		1
	Pressure Regulator Pro 2"	003604F							1		1
*	Pilot Gas Valve All Gases	600154	1	1	1	1	1	1	1	1	1
	Pilot Gas Valve All Gases	600562	2	2	2	2	2	2	2	2	2
	Auto On/Off Valve All Gases 1"	004093F	1							1	
	Auto On/Off Valve All Gases 1 1/4"	004094F		1	1	1	1				1
	Auto On/Off/Valve All Gases 1 1/2"	004095F							1	1	
	Mod. Valve 120F - 240F 1" HW	N/A									
	Mod. Valve 85F-210F 1" HW	N/A									
	Mod. Valve 140 F Max HW	N/A									
	Mod. Valve 110F-170F 1" HW	N/A	3	3	3	3	4	4	4		
	Mod. Valve 150F-210F 1" HW	N/A								3	3
	Mod. Valve 110F-170F Nat. RS	006508F	2	2	2	2	3	3	3		
	Mod. Valve 110F-170F Pro. RS	006510F	2	2	2	2	3	3	3		
	Mod. Valve 150F-210F Nat. RS	006509F								2	2
	Mod. Valve 150F-210F Pro. RS	006511F								2	2
	Solenoid Coil RS	013645F	2	2	2	2	3	3	3	2	2
	Comb. Valve Nat. 1"	600631									
	Comb Valve Pro. 1"	600692									
	Comb. Valve Nat. 1 1/4"	600632									
	Comb. Valve Pro. 1 1/4"	600693									
	Comb. Valve Nat. 1 1/2"	600633									
*	Actuator, On-Off	011908F									
*	Actuator. Mod	600449									
*	Actuator. Mod B3/B6000 (600900)	N/A									
*	Gas Valve Body 1 1/4"	014015F									
*	Gas Valve Body 1 1/2"	600452									
*	Gas Valve Body 2"	600453									
*	Gas Vent Valve All Gases	011913F	1	1	1	1	1	1	1	1	1
*	Gas Pressure Switch - Low	007187F	1	1	1	1	1	1	1	1	1
*	Gas Pressure Switch - High	007188F	1	1	1	1	1	1	1	1	1

*REQUIRED FOR IRI MODELS



www.raypak.com