

**COMMERCIAL**  
**MODELS: XFYRE 300A THROUGH 850A**

CATALOG NO. 9300.87  
Effective: 01-01-16  
Replaces: 09-01-15

## **RAYPAK ILLUSTRATED PARTS LIST**

**MODEL SIZES: 300A, 400A, 500A, 700A & 850A**

**MODEL TYPES: MODULATING CONDENSING BOILER H & WH CAT IV**

**DATES OF MANUFACTURE: 07-01-12 THROUGH CURRENT**

THE PARTS LISTED ARE FOR STANDARD EQUIPMENT FOR THIS MODEL TYPE. RAYPAK RESERVES THE RIGHT TO SUBSTITUTE, DELETE OR CHANGE ANY PART WITHOUT NOTIFICATION. THE ADDITION OF OPTIONS MAY ALSO CHANGE SOME OF THE PARTS. ORDER REPLACEMENT PARTS FROM ACTUAL HEATER COMPONENTS.



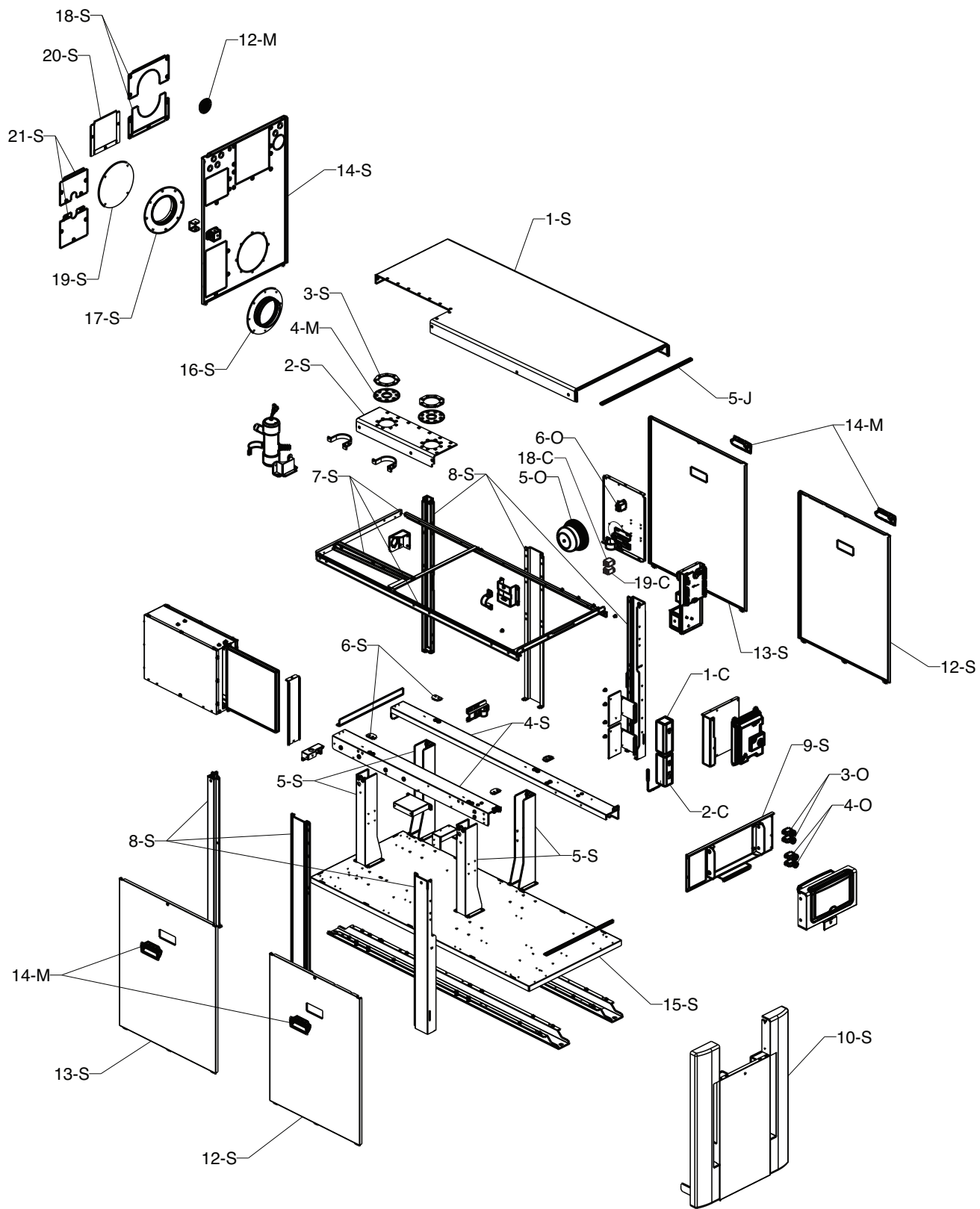
FOR DETAILED INSTRUCTIONS, SEE "HOW TO USE YOUR RAYPAK ILLUSTRATED PARTS LIST",  
CATALOG NO. 9001.10

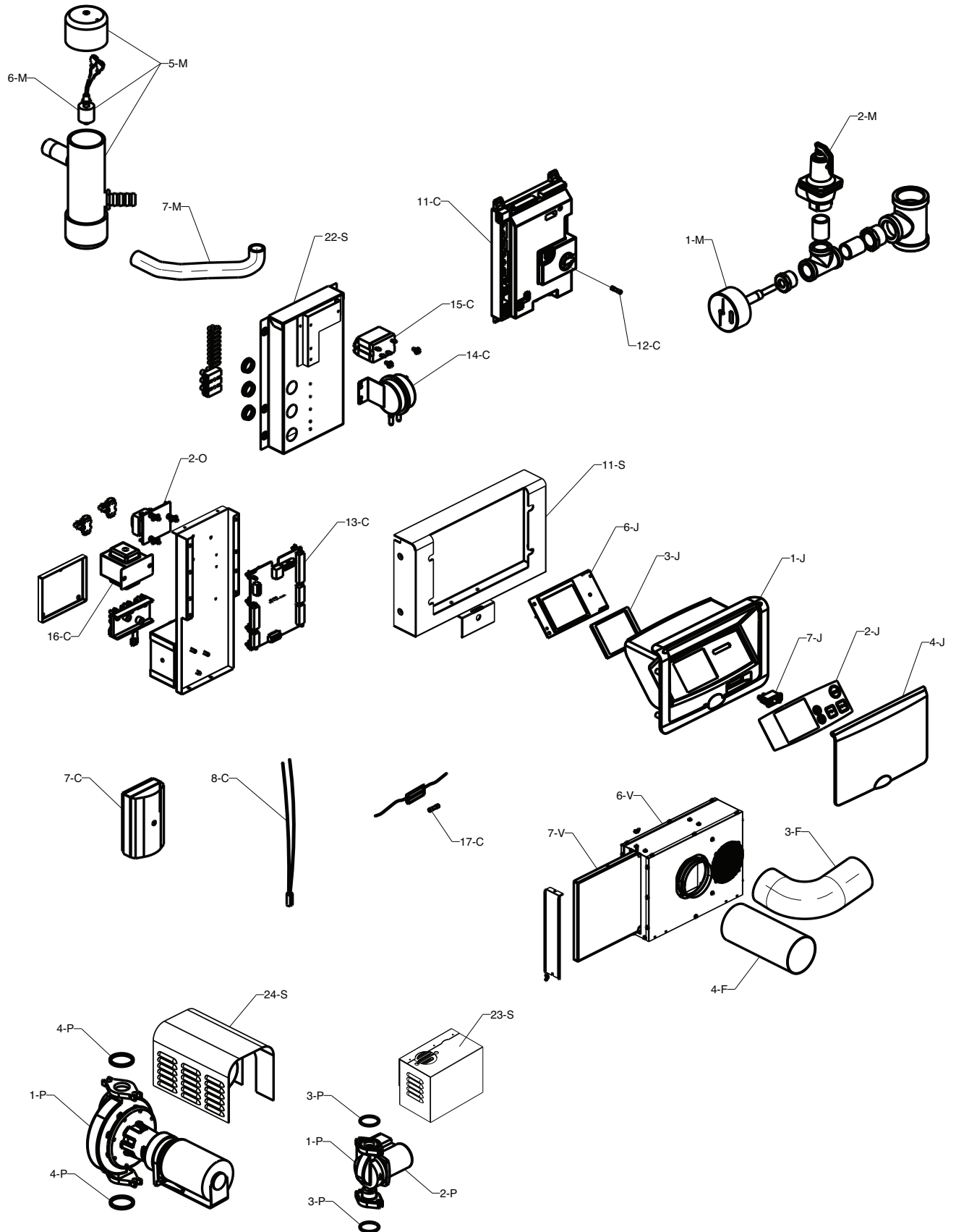


Raypak, Inc., 2151 Eastman Avenue, Oxnard, CA 93030  
(805) 278-5300 FAX (805) 278-5489

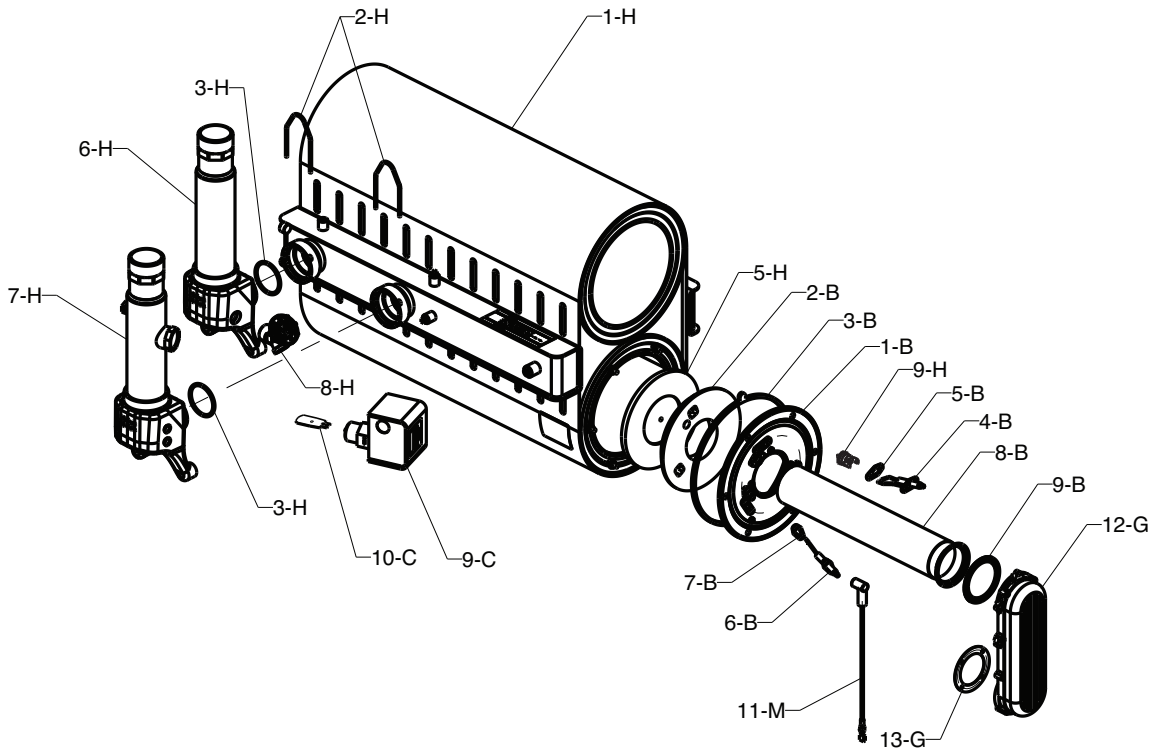
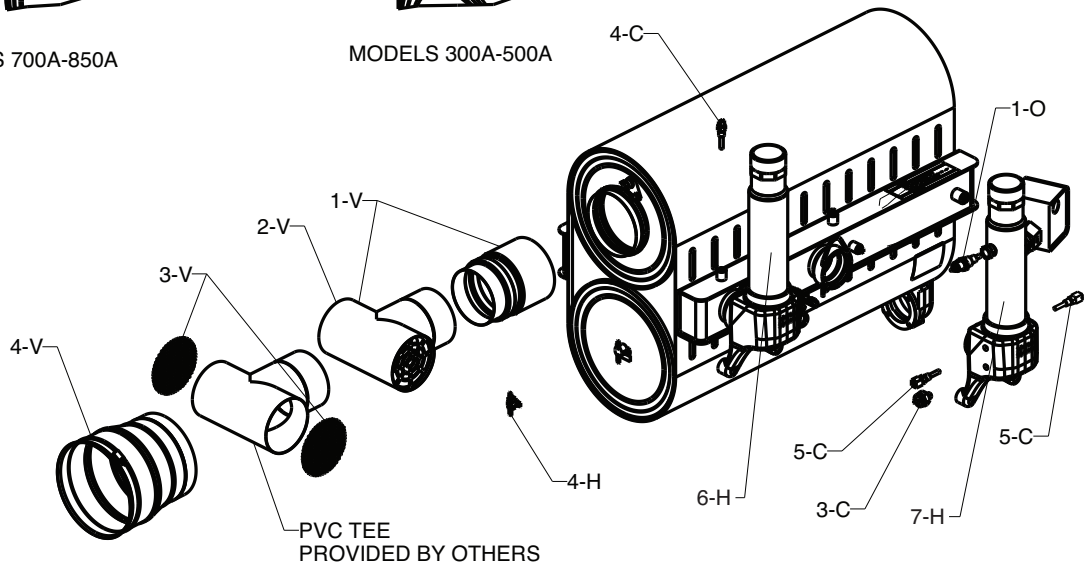
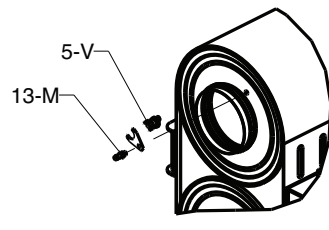
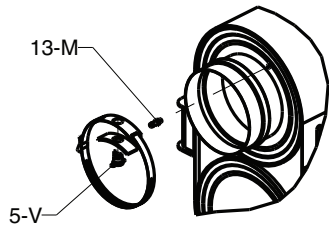
Litho In U.S.A.

P/N 241465

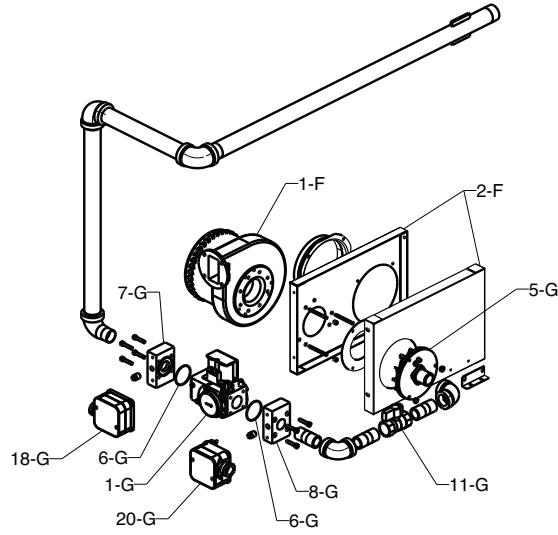




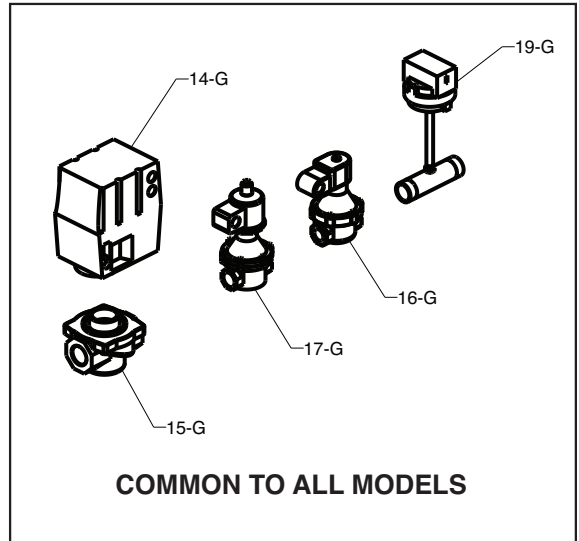
# HEAT TRANSFER DETAIL



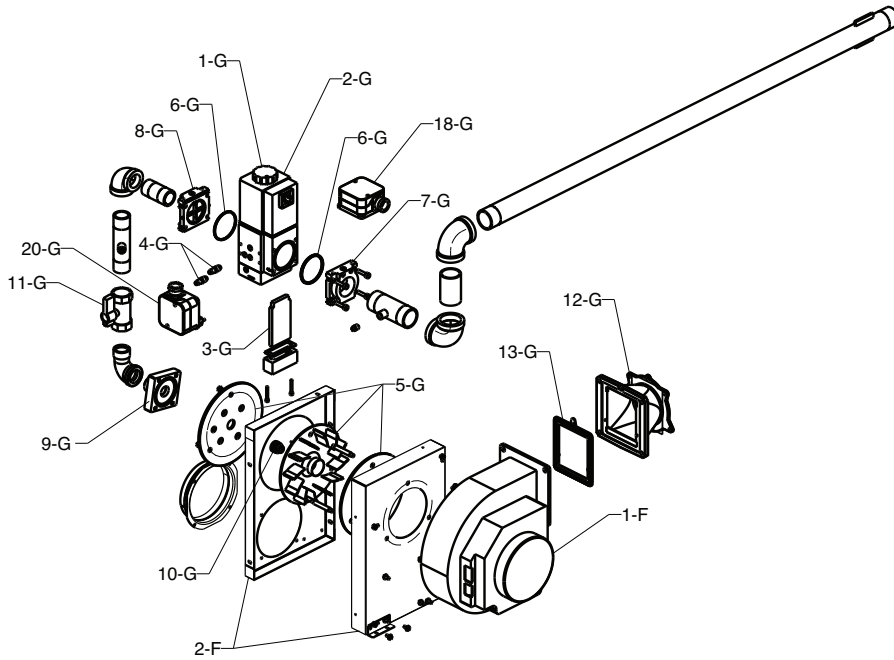
# GAS TRAIN & BURNER DETAIL



**MODELS 300A-500A**



**COMMON TO ALL MODELS**



**MODELS 700A-850A**

CALL OUT	DESCRIPTION	300A	400A	500A	700A	850A
<b>B BURNER ASSEMBLY</b>						
1-B	Burner Door (Includes 2-B, 3-B & 9-B)	013158F	013158F	013158F	013159F	013159F
2-B	Refractory Burner Door	N/A	N/A	N/A	N/A	N/A
3-B	Door Seal Gaskets	N/A	N/A	N/A	N/A	N/A
4-B	Flame Sensor Probe	013163F	013163F	013163F	013164F	013164F
5-B	Flame Sensor Gasket	013168F	013168F	013168F	013168F	013168F
6-B	Igniter	013166F	013166F	013166F	013167F	013167F
7-B	Igniter Gasket	013168F	013168F	013168F	013168F	013168F
8-B	Burner	013169F	013169F	013169F	013445F	013445F
9-B	Burner Seal Gasket	013171F	013171F	013171F	013172F	013172F
<b>C CONTROLS</b>						
1-C	Auto Reset Adjustable High Limit 180F Max	006445F	006445F	006445F	006445F	006445F
	Auto Reset Adjustable High Limit 200F Max	012546F	012546F	012546F	012546F	012546F
2-C	Manual Reset Adjustable High Limit 180F	009554F	009554F	009554F	009554F	009554F
	Manual Reset Adjustable High Limit 200F	008081F	008081F	008081F	008081F	008081F
3-C	Auto Reset Fixed High Limit 200F	013474F	013474F	013474F	013474F	013474F
4-C	Inlet Sensor (2 Wire)	013175F	013175F	013175F	013175F	013175F
5-C	Outlet Sensor (4 Wire)	013932F	013932F	013932F	013932F	013932F
7-C	Sensor Outdoor Air B-32	010786F	010786F	010786F	010786F	010786F
8-C	Sensor Water 10K	010787F	010787F	010787F	010787F	010787F
9-C	Flow Switch	007142F	007142F	007142F	007142F	007142F
10-C	Flow Switch Paddle (Taco)	010026F	010026F	010026F	010026F	010026F
11-C	PIM (Platform Ignition Module) Multi Try	013933F	013933F	013933F	013933F	013933F
	PIM (Platform Ignition Module) Single Try CSD-1	013934F	013934F	013934F	013934F	013934F
12-C	Fuse 5 Amp (Fast Acting)	013971F	013971F	013971F	013971F	013971F
13-C	PC Board VERSA IC	013935F	013935F	013935F	013935F	013935F
14-C	Blocked Vent Pressure Switch	011862F	011862F	011862F	011862F	011862F
15-C	Pump Relay 120Vac	008977F	008977F	008977F	008977F	008977F
16-C	Transformer 50 VA	006533F	006533F	006533F	006533F	006533F
17-C	Fuse 5 Amp (Pump) (Slow Blow)	013972F	013972F	013972F	013972F	013972F
18-C	Relay DPDT 24V NO/NC	011720F	011720F	011720F	011720F	011720F
19-C	Relay DPDT 120V NO/NC	013243F	013243F	013243F	013243F	013243F
<b>J CONTROLS (Up Front)</b>						
1-J	Control Bezel	013936F	013936F	013936F	013936F	013936F
2-J	Switch/Decal Membrane	013937F	013937F	013937F	013937F	013937F
3-J	Gasket LCD Window Gasket	013938F	013938F	013938F	013938F	013938F
4-J	Control Bezel Cover	009487F	009487F	009487F	009487F	009487F
5-J	Gasket Insulation	013190F	013190F	013190F	013190F	013190F
6-J	LCD Display PC Board	013939F	013939F	013939F	013939F	013939F
7-J	On/Off Switch	009493F	009493F	009493F	009493F	009493F
<b>F FAN</b>						
1-F	Blower Combustion Air	013195F	013195F	013195F	013196F	013196F
2-F	Plenum Assembly	013940F	014721F	013941F	014022F	014022F
3-F	Hose Duct 4" (TruSeal)	007417F	N/A	N/A	N/A	N/A
	Hose Duct 5" (TruSeal)	N/A	014023F	014023F	N/A	N/A
	Hose Duct 6" (TruSeal)	N/A	N/A	N/A	007418F	007418F
4-F	Hose Duct 4" (Plastic)	013424F	N/A	N/A	N/A	N/A
	Hose Duct 5" (Plastic)	N/A	014023F	014023F	014023F	014023F
<b>G GAS TRAIN</b>						
1-G	Valve Gas Modulating 120V	013942F	013942F	013942F	013200F	013200F
2-G	Valve Coil 120V	N/A	N/A	N/A	013201F	013201F
3-G	Inlet Gas Filter	N/A	N/A	N/A	012294F	012294F
4-G	Bleedle Valve G-1/8	N/A	N/A	N/A	015400F	015400F
5-G	Swirler	013968F	013968F	013968F	011888F	011888F
6-G	O Rings (Includes Gas Valve and Adapter O Rings)	N/A	N/A	N/A	012440F	012440F
7-G	Adapter Gas Valve 3/4" Inlet (Includes O rings)	013204F	013204F	013204F	N/A	N/A
	Adapter Gas Valve 1-1/4" Inlet	N/A	N/A	N/A	011916F	011916F
8-G	Adapter Gas Valve 3/4"Outlet (Includes O rings)	013204F	013204F	013204F	N/A	N/A
	Adapter Gas Valve 1" Outlet Flow Control	N/A	N/A	N/A	013206F	013206F
9-G	Adapter Swirl Plate	N/A	N/A	N/A	012298F	012298F
10-G	Nozzle Natural Gas	013943F	013944F	N/A	013207F	013207F
	Nozzle Propane Gas	013943F	013944F	N/A	012308F	012299F
11-G	Valve Gas Ball (WOG)	013208F	013208F	013208F	013209F	013209F
12-G	Air/Gas Plenum	013210F	013210F	013210F	013211F	013211F
13-G	Gasket Plenum Seal	013212F	013212F	013212F	013213F	013213F
14-G	Motorized Safety Shut Off Valve M-1(Optional)	011908F	011908F	011908F	011908F	011908F
15-G	Gas Valve Body M1 (Optional)	014014F	014014F	014014F	014015F	014015F
16-G	Solenoid Safety Shut Off Valve M-10 (Optional)	012125F	011909F	011909F	011909F	011909F
17-G	Vent Valve Gas M-15 (Optional)	011913F	011913F	011913F	011913F	011913F
18-G	Switch Low Gas Pressure (Optional)	011770F	011770F	011770F	011770F	011770F
19-G	Switch Low Gas Pressure w/M-1 or M-10 (Optional)	007187F	007187F	007187F	007187F	007187F
20-G	Switch High Gas Pressure (Optional)	011771F	011771F	011771F	011771F	011771F
<b>H HEAT TRANSFER</b>						
1-H	Heat Engine (Complete with Burner and Sensors)	013218F	013450F	013219F	013451F	013220F
2-H	Water Connection Retainer Clip	013221F	013222F	013222F	013222F	013222F
3-H	Header O-Ring (2 PCS)	013223F	013224F	013224F	013224F	013224F
4-H	Thermal Cut-Off Fuse	N/A	N/A	N/A	N/A	N/A
5-H	Rear Refractory Target Wall	013226F	013226F	013226F	013226F	013226F
6-H	Plumbing Assy Inlet	013227F	013973F	013973F	013973F	013973F
7-H	Plumbing Assy Outlet	013229F	015058F	013974F	013974F	013974F
8-H	Drain Valve	013475F	013475F	013475F	013475F	013475F
9-H	Combustion Chamber Manual Reset Safety Limit	015023F	015023F	015023F	015023F	015023F

CALL OUT	DESCRIPTION	300A	400A	500A	700A	850A
<b>M</b>	<b>MISCELLANEOUS COMPONENTS</b>					
1-M	T & P Gauge 0-90 PSI	007205F	007205F	007205F	007205F	007205F
	T & P Gauge 0-200 PSI	007399F	007399F	007399F	007399F	007399F
2-M	PRV 30 PSI	007470F	007217F	007217F	007218F	007218F
	PRV 45 PSI	007220F	007220F	007220F	007346F	007346F
	PRV 60 PSI	007222F	007222F	007222F	007222F	007222F
	PRV 75 PSI	007223F	007223F	007223F	007223F	007223F
	PRV 125 PSI	007224F	007224F	007224F	007224F	007224F
	PRV 150 PSI	007225F	007225F	007225F	007225F	007225F
3-M	RTV Sealant 2.8 oz (Not Shown)	008924F	008924F	008924F	008924F	008924F
	RTV Sealant 10 oz (Not Shown)	005755F	005755F	005755F	005755F	005755F
4-M	Water Connection Seal Gasket	013232F	013233F	013233F	013233F	013233F
5-M	Condensate Trap	013946F	013946F	013946F	013946F	013946F
6-M	Condensate Float Switch NC	013947F	013947F	013947F	013947F	013947F
7-M	Condensate Hose	013948F	013948F	013948F	013948F	013948F
8-M	Condensate Neutralizer (Not Shown)	012664	012664	012664	012664	012664
9-M	Touch-up Paint Green	750125	750125	750125	750125	750125
	Cool Dark Gray	750256	750256	750256	750256	750256
10-M	Wire Harness Cabinet (Not Shown)	013949F	013949F	013949F	013950F	013950F
11-M	Spark Cable High Tension Harness	013951F	013951F	013951F	013952F	013952F
15-M	Bell & Alarm Harness	015540F	015540F	015540F	015540F	015540F
12-M	Gas Manifold Grommet	010778F	010778F	010778F	010779F	010779F
13-M	Barbed Sample Connector	013433F	013433F	013433F	013433F	013433F
14-M	Plastic Handle	012681F	012681F	012681F	012681F	012681F
<b>O</b>	<b>OPTIONS</b>					
1-O	Remote Sensor (LWCO)	013238F	013238F	013238F	013238F	013238F
2-O	Control PC Board (LWCO)	007157F	007157F	007157F	007157F	007157F
3-O	Test / Reset Switch (LWCO)	005641F	005641F	005641F	005641F	005641F
4-O	Silencer/Reset Switch (Alarm)	005641F	005641F	005641F	005641F	005641F
5-O	Alarm Bell 24V 4"	005643F	005643F	005643F	005643F	005643F
6-O	Relay 3PDT 24 VAC (Alarm) (Not Shown)	014717F	014717F	014717F	014717F	014717F
<b>P</b>	<b>PUMPS</b>					
1-P	Pump Inline BR Soft	008746	008746	007747	007347F	007347F
	Pump Inline BR Medium	007226F	007347F	007347F	007350F	007350F
	Pump Inline CIBF Soft	008745	008745	007746	007353F	007353F
2-P	Pump Cartridge 0012	951153F	951153F	N/A	N/A	N/A
3-P	Pump Flange Gasket 0012	008747F	008747F	N/A	N/A	N/A
4-P	Pump Flange Gasket 1611	012666F	012666F	012666F	012666F	012666F
<b>S</b>	<b>SHEET METAL</b>					
1-S	Jacket Top	014024F	014025F	014026F	014027F	014028F
2-S	Inlet/Outlet Cover Panel	014029F	014030F	014031F	014032F	014033F
3-S	Water Connection Gasket Retainer	013250F	013251F	013251F	013251F	013251F
4-S	Heat Engine Supports Horizontal	013953F	013954F	013955F	013975F	013976F
5-S	Heat Engine Supports Vertical	013956F	013956F	013255F	013256F	013256F
6-S	Heat Engine Retainer Brackets	013257F	013257F	013257F	013257F	013257F
7-S	Upper Cabinet Supports	013258F	013458F	013259F	013459F	013260F
8-S	Vertical Cabinet Supports	014044F	014044F	014044F	014045F	014045F
9-S	Upper Front Cabinet Support	013957F	013957F	013957F	013957F	013957F
10-S	Door Assy	013264F	013264F	013264F	013264F	013264F
11-S	Control Bezel Mtg Panel w/LCD Display	013265F	013265F	013265F	013265F	013265F
12-S	Jacket Side Panel	014034F	014035F	014036F	013461F	013268F
13-S	Jacket Side Panel Rear	N/A	N/A	N/A	014037F	014038F
14-S	Jacket Rear Panel					
	Units manufactured prior to 10/1/13	013958F	013958F	013958F	013959F	013959F
	Units manufactured from 10/1/13	014465F	014465F	014465F	014464F	014464F
15-S	Base Assembly	013960F	013961F	013962F	014039F	014040F
16-S	Intake Air Flange Inside (TruSeal)	013275F	014041F	014041F	013276F	013276F
17-S	Intake Air Flange Outside (TruSeal)	013275F	013275F	013275F	013276F	013276F
18-S	Access Panel Flue Exhaust	013277F	013277F	013277F	013278F	013278F
19-S	Access Panel Intake Air	013279F	013279F	013279F	013279F	013279F
20-S	Access Panel Wiring Box	013280F	013280F	013280F	013280F	013280F
21-S	Access Panel Condensate Drain	013281F	013281F	013281F	013281F	013281F
22-S	Rear Wiring Box	013963F	013963F	013963F	013963F	013963F
23-S	Pump Cover (Taco 0012)	012986F	012986F	N/A	N/A	N/A
24-S	Pump Cover (Taco 1600 Series)	012987F	012987F	012987F	012987F	012987F
<b>V</b>	<b>VENTING</b>					
1-V	Outdoor Vent Termination Tee (Stainless Steel)	013108	013108	013108	013109	013109
2-V	Vent Tee Horizontal or Vertical Venting for Indoor Units (Stainless Steel)	013108	013108	013108	013111	013111
3-V	Vent Termination Screen For Plastic Vent Tee	013283F	013283F	013283F	013284F	013284F
4-V	Flue Exhaust Adapter for PVC Venting	N/A	N/A	N/A	013285F	013285F
	Flue Exhaust Adapter for Polypropylene Venting	013929	013929	013929	013930	013930
	Flue Exhaust Adapter for Stainless Steel Venting	013286F	013286F	013286F	N/A	N/A
5-V	Vent Limit Switch Manual Reset for PVC Venting	013428F	013428F	013428F	013429F	013429F
	Vent Limit Switch Manual Reset for Polypropylene Venting	014043F	014043F	014043F	014043F	014043F
6-V	Intake Air Filter Box	013964F	013965F	013965F	014042F	014042F
7-V	Air Filter Media	013290F	012553F	012553F	012553F	012553F



Registered Quality Management System

[www.raypak.com](http://www.raypak.com)